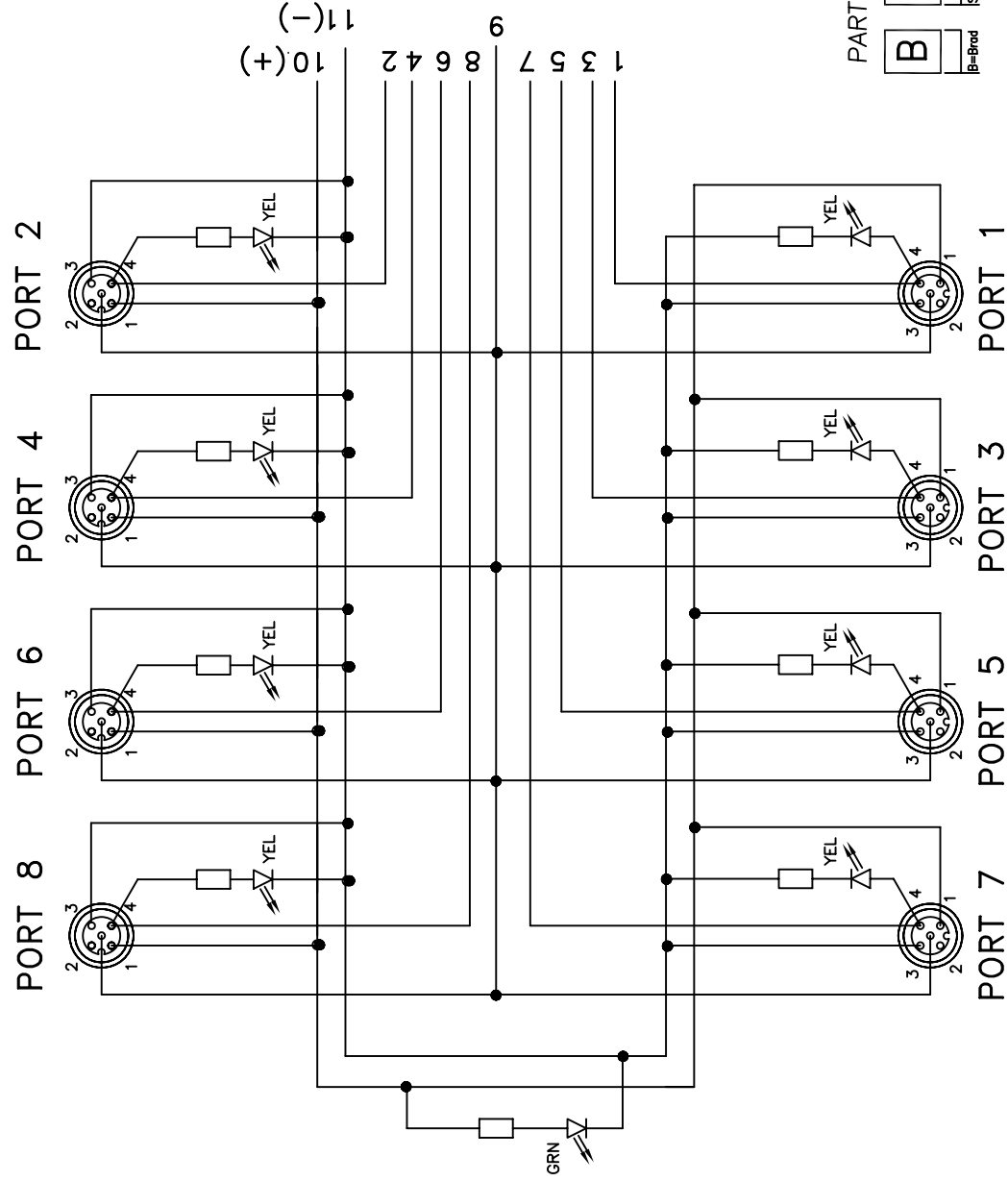
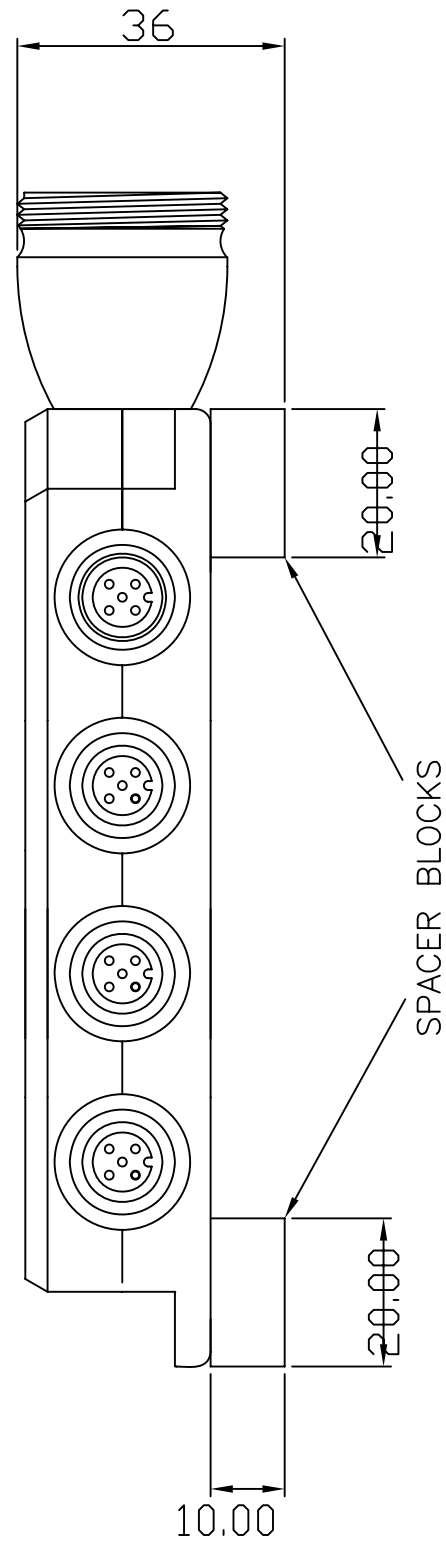
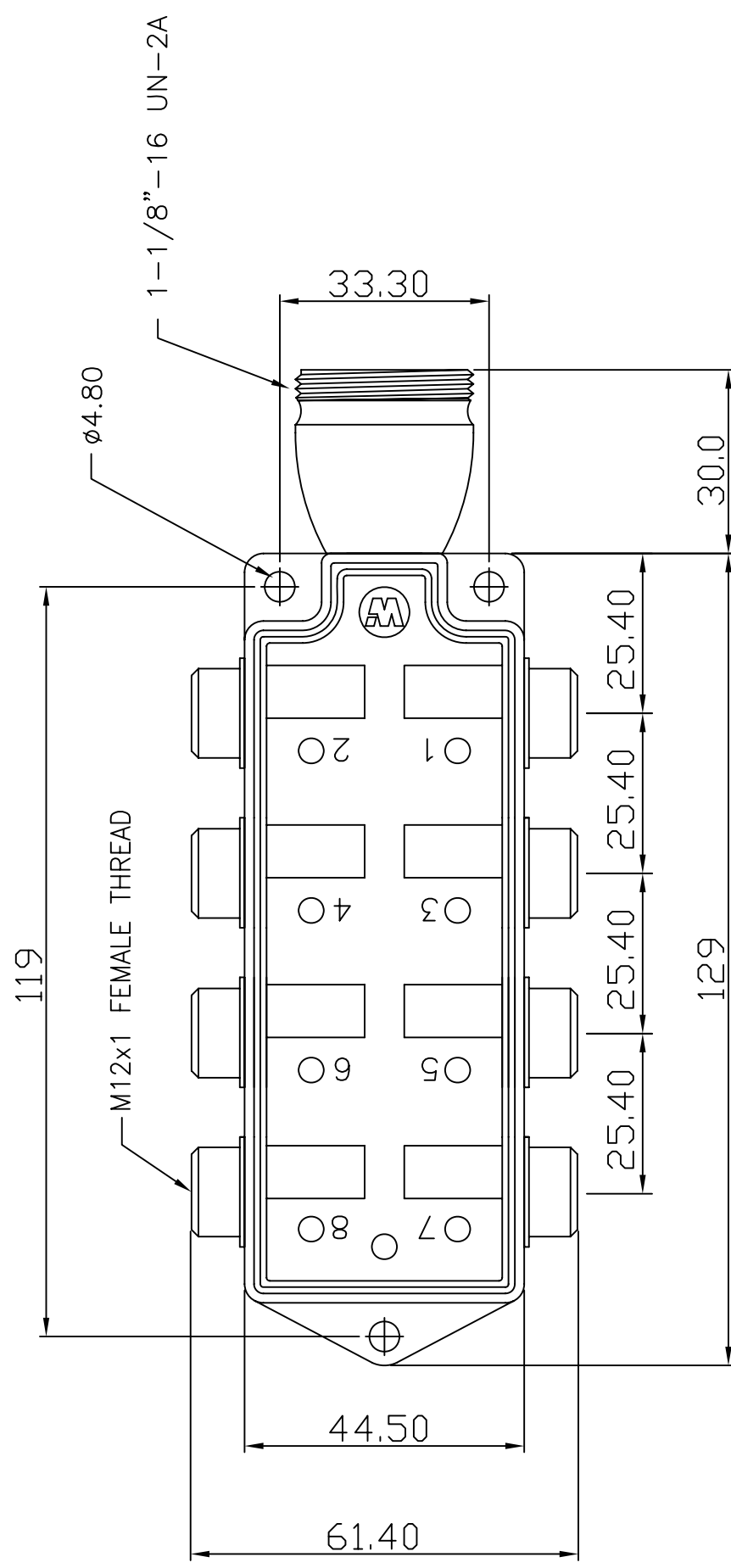
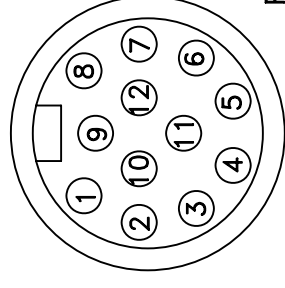


# BSX801P-FXB

8 PORT PNP MICRO WITH 5 POLE (4 WIRE) RECEPTACLES WITH 12 POLE MALE/MALE MINI CHANGE CONNECTOR



WIRING CONFIGURATION  
NOTE-PIN 12 NOT USED



FACE VIEW OF  
END RECEPTACLE

PART No MATRIX

B	S	X	8	O	1	P	-	F	X	B
B-Brod	S-SIDE MFG.	X-YELLOW	8-B=8 Port	O-SINGLE Port	1-R=1PN	P-R=PN	-	F-THRU HOLES	X-PLASTIC	B-MINI CHAGE 12p

**AERO-MOTIVE(UK)LTD**

FACTORY 9 RASSAU IND. EST.  
EBBW VALE GWENT NP35SD

THIS DRAWING CONTAINS INFORMATION THAT IS PROPRIETARY TO AERO-MOTIVE (UK) LTD. AND NOT BE USED WITHOUT WRITTEN PERMISSION.

DRAWN

I.JENKINS

REV.

DATE

29.4.97

A