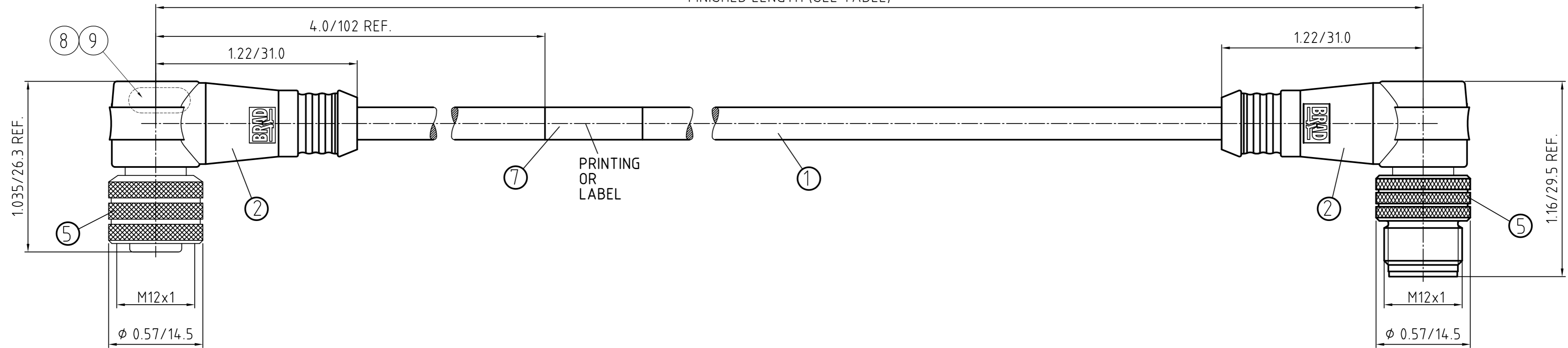
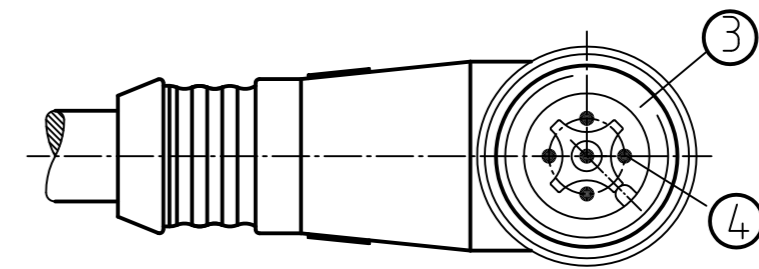
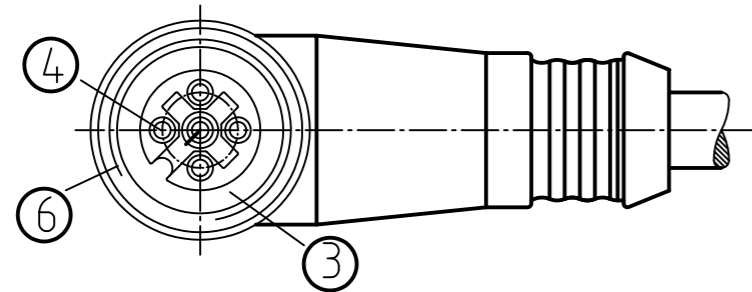


FINISHED LENGTH (SEE TABLE)



POL	MATERIAL NUMBER	ENGINEERING NUMBER	FINISHED LENGTH
3	1200670079	8830P9K05M010	3.28' +2.19" -0 [1.0M +55.6 -0]

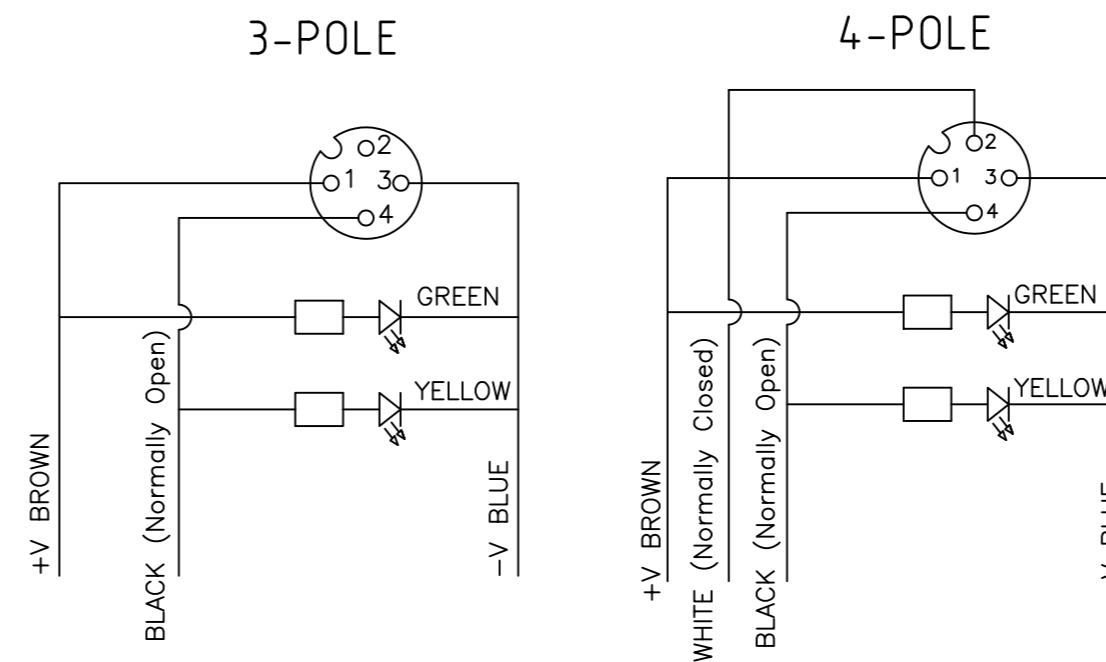
POL	MATERIAL NUMBER	ENGINEERING NUMBER	FINISHED LENGTH
4	1200675249	8840P9K05M010	3.28' +2.19" -0 [1.0M +55.6 -0]



CONNECTOR SPECIFICATION:

VOLTAGE RATING	10 TO 30VDC
AMPERAGE RATING	max. 4 AMPS
PROTECTION	IP67
OPERATING TEMPERATURE	FLEXING: -5°C TO +80°C STATIC: -30°C TO +80°C

ITEM	COMPONENT	MATERIAL	FINISH
9	LED		GREEN
8	LED		YELLOW
7	LABLE	MYLAR	BLACK/YELLOW
6	O-RING	VITON	RED
5	COUPLER	BRASS	NICKEL PLATED
4	PIN CONTACT	COPPER ALLOY	GOLD OVER NICKEL
3	INSERT	PUR	BLACK
2	OVERMOLD	POLYURETHANE (PUR)	TRANSP.
1	CABLE- 22/3-4 (COPPER STRANDING) 3/4 CONDUCT. 300V	JACKET: PUR	BLACK



FEMALE FACE VIEW	FEMALE FACE VIEW
3-POLE	4-POLE
WIRING DIAGRAM	WIRING DIAGRAM
1 BROWN 2 NOT USED 3 BLUE 4 BLACK	1 BROWN 2 WHITE 3 BLUE 4 BLACK

DESCRIPTION EC NO: WEU2010-0381 DRWN: LSTEMMLE CHKD: NS APPR: NSTAUDIG 24.02.10 2010/02/25	QUALITY SYMBOLS ▽ = 0 ▽C = 0	GENERAL TOLERANCES (UNLESS SPECIFIED) mm INCH 4 PLACES ±--- ±--- 3 PLACES ±--- ±--- 2 PLACES ±--- ±.01 1 PLACE ±0.3 ±--- ANGULAR ± --- °	DIMENSION STYLE IN/MM DRAWN BY: BBRAUCH DATE: 2010/02/03 CHECKED BY: FP DATE: 2010/02/25 APPROVED BY: NSTAUDIG DATE: 2010/02/25 MATERIAL NO.	SCALE: 2:1 DESIGN UNITS: METRIC FIRST ANGLE PROJECTION	MIC-3-4POL-FE/M-90/90 LED 22/3-4 BLK PUR CABLE	MOLEX INCORPORATED DOCUMENT NO. SD-120067-026 SHEET NO. 1 OF 1
	DRAFT WHERE APPLICABLE MUST REMAIN WITHIN DIMENSIONS	SEE TABLE	THIS DRAWING CONTAINS INFORMATION THAT IS PROPRIETARY TO MOLEX INCORPORATED AND SHOULD NOT BE USED WITHOUT WRITTEN PERMISSION			