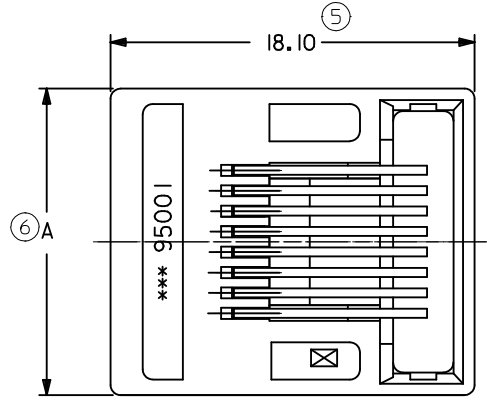
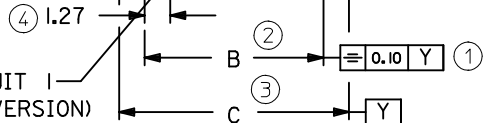


**6 & 8 VERSIONS**

8 VERSION SHOWN

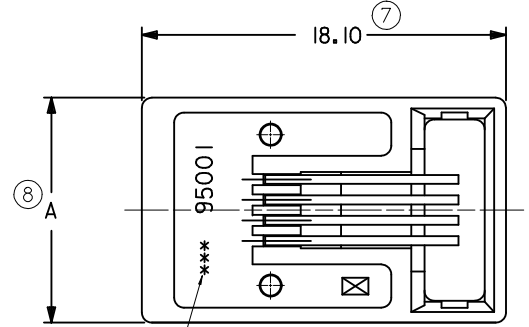
CIRCUIT I  
(8 CKTS VERSION)

CIRCUIT I  
(6 CKTS VERSION)



VIEW Z

**4 VERSION ONLY**



NOTE 5

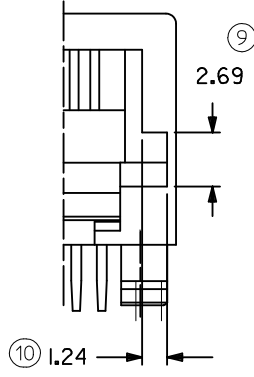
**NOTES :**

**1- MATERIAL:**

- HOUSING: LCP GLASS FILLED UL 94V-0, COLOUR BLACK.
- TERMINAL: COPPER ALLOY
- BASE FINISH: NICKEL
- CONTACT SURFACE FINISH:  
GOLD  
OR  
GOLD FLASH OVER PALLADIUM NICKEL.

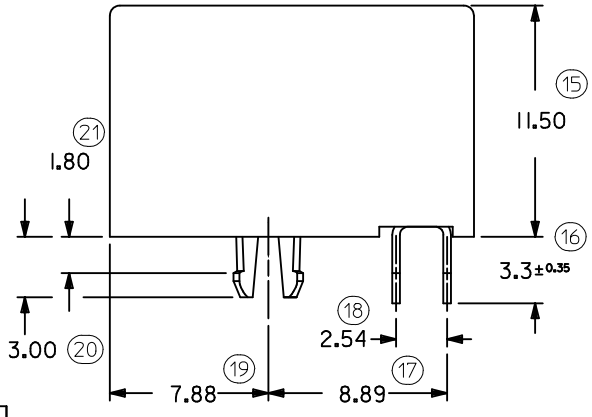
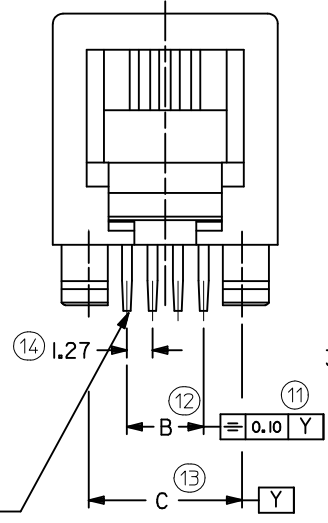
EXCEEDS PRODUCT REQUIREMENTS BASED ON PS-95501

- 2- JACK FOR MATING WITH F.C.C. 68 PLUGS 90075 MOLEX SERIES.
- 3- PRODUCT SPECIFICATION PS-95501.
- 4- PACKAGING SPECIFICATION PK-95001: STANDARD PACKAGING SHEET 1. SPECIAL PACKAGING SHEET 2. TUBE PACKAGING SHEET 3.
- 5- MANUFACTURING I.D. CAN BE EITHER MXF, MG OR MXI.
- 6- RECOMMENDED PCB THICKNESS: 1.57mm  
INSPECTION NUMBERS USED: 1 - 50  
LAST INSPECTION NUMBER: 21



OPTIONAL  
KEYING

CIRCUIT I  
(4 CKTS VERSION)



DIM.	TYPE	POS. 4		POS. 6		POS. 8
		4 CKTS.	4 CKTS.	6 CKTS.	8 CKTS.	8 CKTS.
A		11.18	13.21	13.21	15.24	
C		7.62	10.16	10.16	11.43	
B		3.81	3.81	6.35	8.89	

**MODIFIED NOTES.**  
EC NO: IPG2012-0602  
DRW:DBYRNES 2012/03/30  
CHKD:MSHAHAN 2012/03/30  
APPR:EFOLAN 2012/06/26

QUALITY SYMBOLS  
▼ = 0  
◁ = 0

GENERAL TOLERANCES (UNLESS SPECIFIED)

	mm	INCH
4 PLACES	± ---	± ---
3 PLACES	± ---	± ---
2 PLACES	± 0.15	± ---
1 PLACE	± 0.25	± ---
ANGULAR ± ---°		

DRAFT WHERE APPLICABLE  
MUST REMAIN  
WITHIN DIMENSIONS

DIMENSION STYLE  
MM ONLY

DRAWN BY	DATE
DBYRNES	2006/08/02
CHECKED BY	DATE
EOMAHONY	2006/08/12
APPROVED BY	DATE
EOMAHONY	2006/08/12

MATERIAL NO.  
SEE CHART, SHEETS 4 & 5  
SIZE  
A3

SCALE  
4:1

DESIGN UNITS  
METRIC

THIRD ANGLE PROJECTION

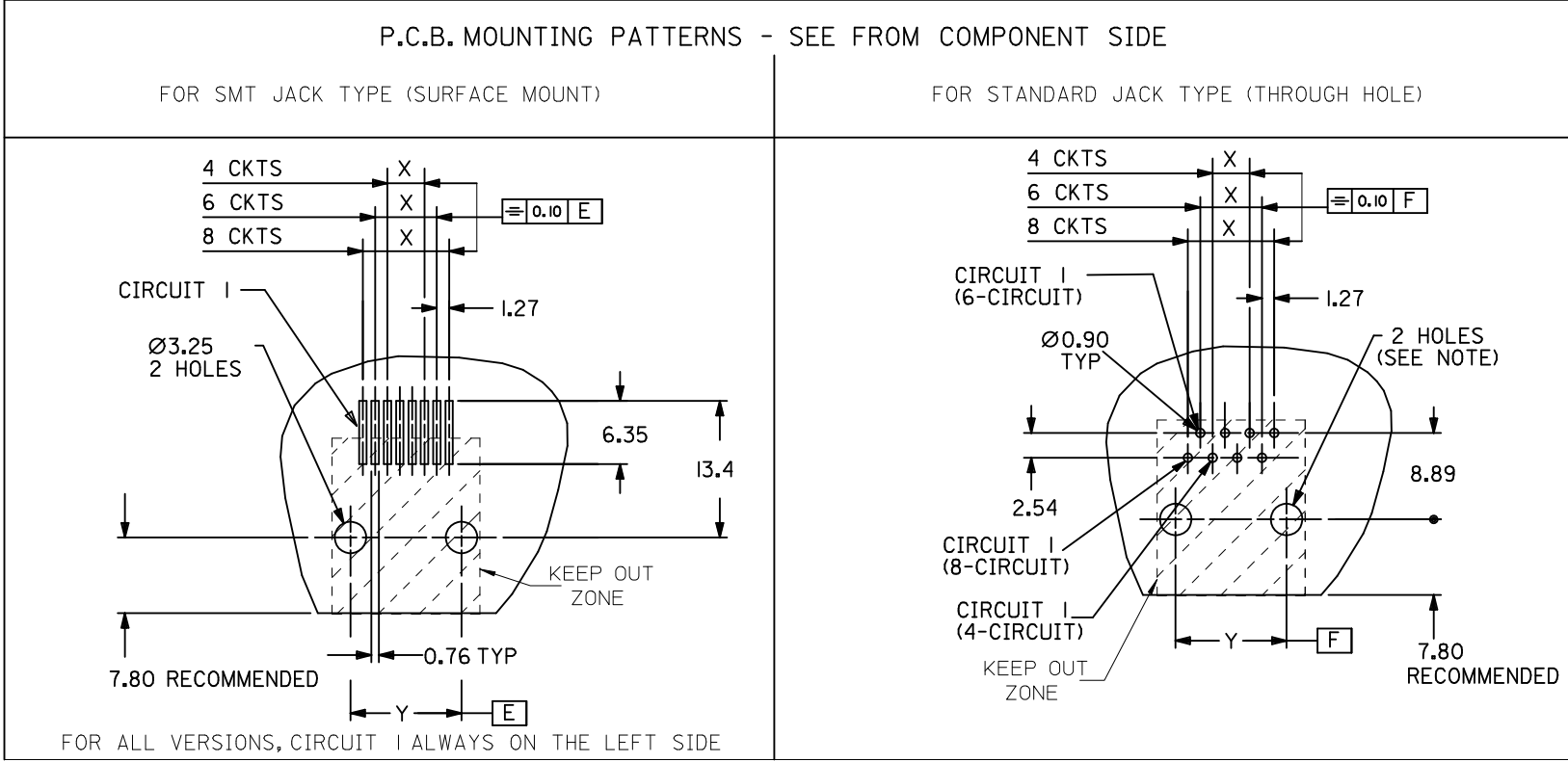
TITLE  
R/A LOW PROFILE  
PC JACK 4,6,8 CKTS SIZE  
THROUGH HOLE VERSION

**molex** MOLEX INCORPORATED

DOCUMENT NO. SD-95501-001 SHEET NO. 1 OF 5

THIS DRAWING CONTAINS INFORMATION THAT IS PROPRIETARY TO MOLEX INCORPORATED AND SHOULD NOT BE USED WITHOUT WRITTEN PERMISSION

TYPE \ DIM.	POS. 4	POS. 6		POS. 8
	4 CKTS.	4 CKTS.	6 CKTS.	8 CKTS.
Y ±0.05	7.62	10.16	10.16	11.43
X ±0.05	3.81	3.81	6.35	8.89



**NOTE:**  
 FOR CONVECTION SOLDERING: DIA 3.25±0.05  
 FOR WAVE SOLDERING: DIA 3.20±0.10  
 ALL DIMENSIONS REF DIMENSIONS

REMOVED INCHES EC NO: E2012-0079 DRWN: JOCONNOR 2011/02/23 CHKD: APPR: EFOLAN 2011/09/28	QUALITY SYMBOLS	GENERAL TOLERANCES (UNLESS SPECIFIED)	DIMENSION STYLE	SCALE	DESIGN UNITS	THIRD ANGLE PROJECTION
	▼=0 ◻=0	mm    INCH 4 PLACES ± --- ± --- 3 PLACES ± --- ± --- 2 PLACES ± 0.15 ± --- 1 PLACE ± 0.25 ± --- ANGULAR ± ---°	MM ONLY	2:1	METRIC	
	REV	DRAFT WHERE APPLICABLE MUST REMAIN WITHIN DIMENSIONS	DRAWN BY	DATE	TITLE	
			DBYRNES	2006/08/02	R/A LOW PROFILE JACK PC JACK 4,6,8 CKT SIZE SMT AND STANDARD VERSION	
			EOMAHONY	2006/08/12	MOLEX INCORPORATED	
		EOMAHONY	2006/08/12	MATERIAL NO.	DOCUMENT NO.	SHEET NO.
				SEE CHART SHEETS 4 & 5	SD-95501-001	3 OF 5
			SIZE	THIS DRAWING CONTAINS INFORMATION THAT IS PROPRIETARY TO MOLEX INCORPORATED AND SHOULD NOT BE USED WITHOUT WRITTEN PERMISSION		
			A3			

# SPECIAL PACKAGING TUBE, SEE PACKAGING SPEC PK95001 SHEET 3

PART NO FOR JACK ASSEMBLY  
THROUGH HOLE VERSION

PART NO FOR JACK ASSEMBLY  
SMT VERSION

HOUSING SIZE	LOADED CONTACTS
4	4
6	4
6	6
8	8

LCP GLASS FILED 94V0,COLOR BLACK.							
NO KEY	TOOLED	KEY	TOOLED		TOOLED		TOOLED
NOT RIBBED	TOOLED	NOT RIBBED	TOOLED		TOOLED		TOOLED
95501-2401	X						
95501-2601	X						
95501-2611	X						
95501-2821	X						

LCP GLASS FILLED 94V0 COLOUR BLACK							
NO KEY	TOOLED	KEY	TOOLED	NO KEY	TOOLED	KEY	TOOLED
NOT RIBBED	TOOLED	NOT RIBBED	TOOLED	NOT RIBBED	TOOLED	NOT RIBBED	TOOLED
95501-6449	X						
95501-6649	X						
95501-6669	X						
95501-6889	X	95501-6890	X				

<b>REMOVED OPTIONS</b> EC NO: IPG2012-0602 DRW:DBYRNES 2012/03/30 CHKD:MSHAHAN 2012/03/30 APPR:EFOLAN 2012/06/26	DESCRIPTION REV	QUALITY SYMBOLS ▽=0 ◻=0	GENERAL TOLERANCES (UNLESS SPECIFIED)	DIMENSION STYLE <b>MM ONLY</b>	SCALE ---	DESIGN UNITS METRIC	THIRD ANGLE PROJECTION		
		DRAFT WHERE APPLICABLE MUST REMAIN WITHIN DIMENSIONS	SEE CHART	MOLEX INCORPORATED	DOCUMENT NO. SD-95501-001	SHEET NO. 5 OF 5			
		D	SIZE A3	THIS DRAWING CONTAINS INFORMATION THAT IS PROPRIETARY TO MOLEX INCORPORATED AND SHOULD NOT BE USED WITHOUT WRITTEN PERMISSION					