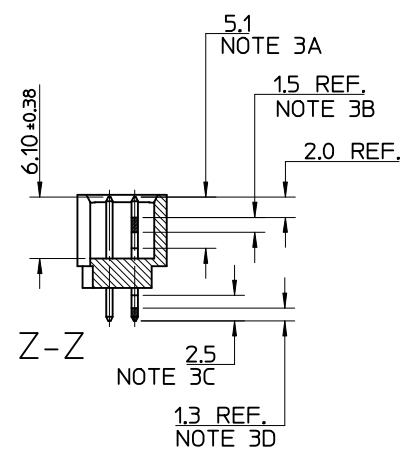
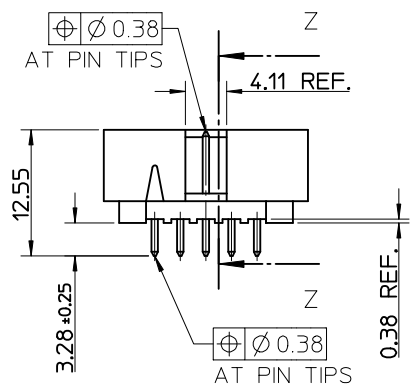
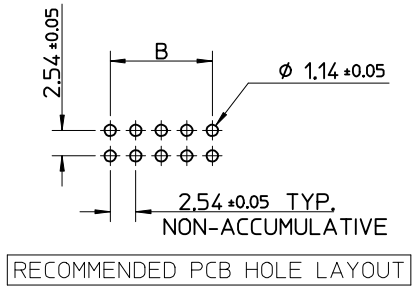
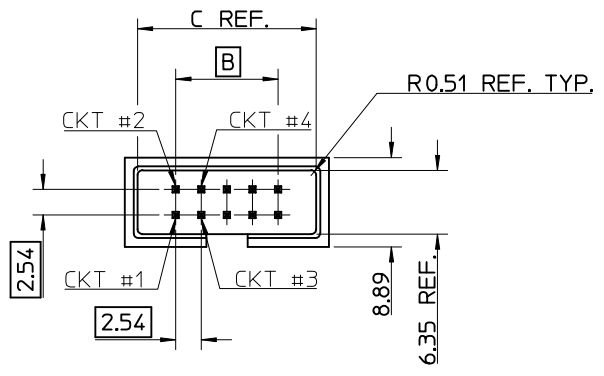
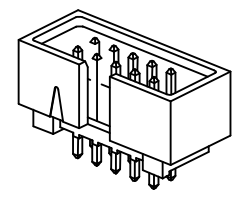
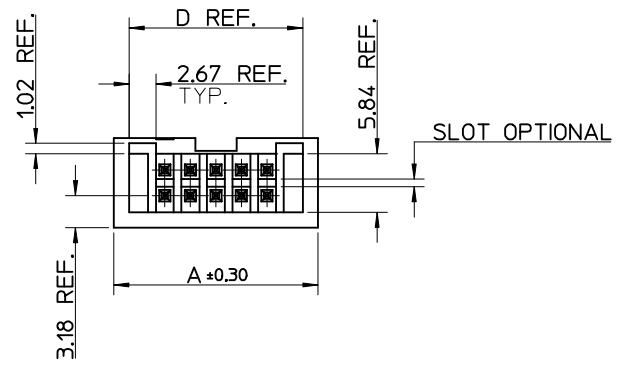


| PART NUMBER | NO. OF CKTS | DIM A | DIM B | DIM C | DIM D |
|-------------|-------------|-------|-------|-------|-------|
| 91816-0008  | 8           | 17.78 | 7.62  | 15.24 | 14.73 |
| 91816-0010  | 10          | 20.32 | 10.16 | 17.78 | 17.27 |
| 91816-0012  | 12          | 22.86 | 12.70 | 20.32 | 19.81 |
| 91816-0014  | 14          | 25.40 | 15.24 | 22.86 | 22.35 |
| 91816-0016  | 16          | 27.94 | 17.78 | 25.40 | 24.89 |
| 91816-0020  | 20          | 33.02 | 22.86 | 30.48 | 29.97 |
| 91816-0024  | 24          | 38.10 | 27.94 | 35.56 | 35.05 |
| 91816-0026  | 26          | 40.64 | 30.48 | 38.10 | 37.59 |
| 91816-0030  | 30          | 45.72 | 35.56 | 43.18 | 42.67 |
| 91816-0034  | 34          | 50.80 | 40.64 | 48.26 | 47.75 |
| 91816-0040  | 40          | 58.42 | 48.26 | 55.88 | 55.37 |

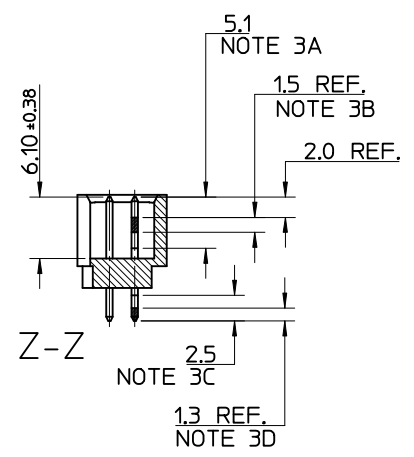
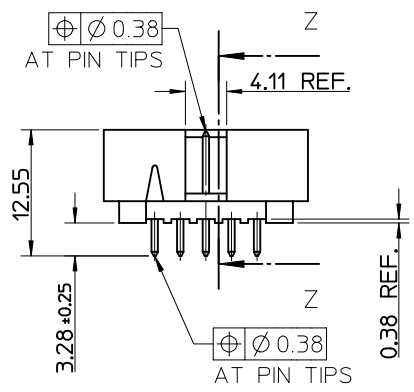
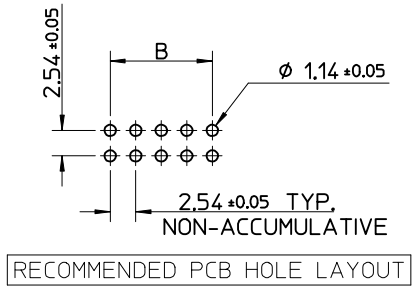
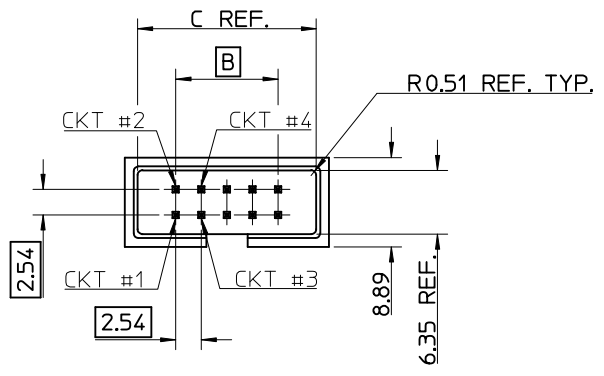


- NOTES:
- MATERIALS:  
HOUSING: PCT, 30% GLASS FILLED, UL94 V-0, COLOUR BLACK.  
PIN: BRASS, 0.64mm SQUARE REF.
  - PLATING:  
CONTACT AREA: 0.38um GOLD MIN. OVER 1.27um NICKEL MIN.  
SOLDER AREA: 1.9um TIN MIN. OVER 1.27um NICKEL MIN.
  - DIMENSIONS FOR PLATING LOCATIONS:  
3A: MINIMUM COVERAGE OF GOLD PLATING (CONTACT AREA).  
3B: THICKNESS AND POROSITY MEASURING ZONE FOR GOLD.  
3C: MINIMUM COVERAGE OF TIN PLATING (SOLDER AREA).  
3D: THICKNESS MEASURING ZONE FOR TIN.
  - CONFORMS TO PRODUCT SPECIFICATION PS-91816-001.
  - PACKAGING SPECIFICATION :  
TRAY : PK-87835-001
  - COLOUR VARIATION MAY BE VISIBLE ON HOUSING SURFACES.

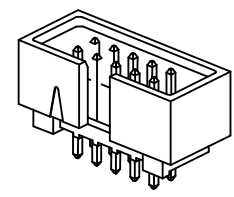
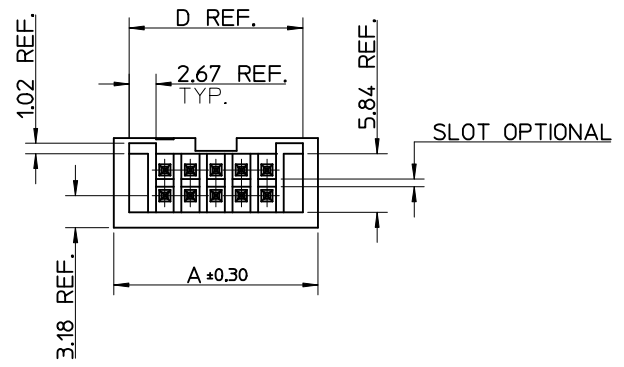


|  |                               |   |         |                                   |                     |  |                                     |                            |  |
|--|-------------------------------|---|---------|-----------------------------------|---------------------|--|-------------------------------------|----------------------------|--|
| UPDATE NOTE 5.<br>EC NO: S2016-0050<br>DRWN:ATSEE 2015/07/13<br>CHYKD:CGOH 2015/09/22<br>APPR:KHLIM 2015/09/22 | QUALITY SYMBOLS<br>▽=0<br>▽=0 | GENERAL TOLERANCES (UNLESS SPECIFIED)   |         | DIMENSION STYLE<br><b>MM ONLY</b> | SCALE<br><b>2:1</b> | DESIGN UNITS<br><b>METRIC</b>  | THIRD ANGLE PROJECTION              |                            |  |
|  |                               | 4 PLACES ± --- ± ---<br>3 PLACES ± --- ± ---<br>2 PLACES ± 0.2 ± ---<br>1 PLACE ± 0.3 ± --- | mm INCH | DRAWN BY<br>JDENEHY               | DATE<br>2007/01/22  | TITLE<br><b>C-GRID SHROUDED HEADER<br/>         SLOTTED W/O STANDOFFS<br/>         ROHS COMPATIBLE</b> |                                     |                            |  |
|  |                               | ANGULAR ± 2 °   |         | CHECKED BY<br>DWASZKIEWICZ        | DATE<br>2007/01/23  | MOLEX INCORPORATED   |                                     |                            |  |
|  |                               | DRAFT WHERE APPLICABLE<br>MUST REMAIN<br>WITHIN DIMENSIONS                                  |         | APPROVED BY<br>JDENEHY            | DATE<br>2007/01/23  | MATERIAL NO.<br><b>SEE CHART</b>   | DOCUMENT NO.<br><b>SD-91816-001</b> | SHEET NO.<br><b>1 OF 1</b> |  |

| PART NUMBER | NO. OF CKTS | DIM A | DIM B | DIM C | DIM D |
|-------------|-------------|-------|-------|-------|-------|
| 91816-0008  | 8           | 17.78 | 7.62  | 15.24 | 14.73 |
| 91816-0010  | 10          | 20.32 | 10.16 | 17.78 | 17.27 |
| 91816-0012  | 12          | 22.86 | 12.70 | 20.32 | 19.81 |
| 91816-0014  | 14          | 25.40 | 15.24 | 22.86 | 22.35 |
| 91816-0016  | 16          | 27.94 | 17.78 | 25.40 | 24.89 |
| 91816-0020  | 20          | 33.02 | 22.86 | 30.48 | 29.97 |
| 91816-0024  | 24          | 38.10 | 27.94 | 35.56 | 35.05 |
| 91816-0026  | 26          | 40.64 | 30.48 | 38.10 | 37.59 |
| 91816-0030  | 30          | 45.72 | 35.56 | 43.18 | 42.67 |
| 91816-0034  | 34          | 50.80 | 40.64 | 48.26 | 47.75 |
| 91816-0040  | 40          | 58.42 | 48.26 | 55.88 | 55.37 |



- NOTES:
- MATERIALS:  
HOUSING: PCT, 30% GLASS FILLED, UL94 V-0, COLOUR BLACK.  
PIN: BRASS, 0.64mm SQUARE REF.
  - PLATING:  
CONTACT AREA: 0.38um GOLD MIN. OVER 1.27um NICKEL MIN.  
SOLDER AREA: 1.9um TIN MIN. OVER 1.27um NICKEL MIN.
  - DIMENSIONS FOR PLATING LOCATIONS:  
3A: MINIMUM COVERAGE OF GOLD PLATING (CONTACT AREA).  
3B: THICKNESS AND POROSITY MEASURING ZONE FOR GOLD.  
3C: MINIMUM COVERAGE OF TIN PLATING (SOLDER AREA).  
3D: THICKNESS MEASURING ZONE FOR TIN.
  - CONFORMS TO PRODUCT SPECIFICATION PS-91816-001.
  - PACKAGING SPECIFICATION :  
TRAY : PK-87835-001
  - COLOUR VARIATION MAY BE VISIBLE ON HOUSING SURFACES.



|  |                               |   |         |                                   |                     |  |                                     |                            |  |
|--|-------------------------------|---|---------|-----------------------------------|---------------------|--|-------------------------------------|----------------------------|--|
| UPDATE NOTE 5.<br>EC NO: S2016-0050<br>DRWN:ATSEE 2015/07/13<br>CHYKD:CGOH 2015/09/22<br>APPR:KHLIM 2015/09/22 | QUALITY SYMBOLS<br>▽=0<br>▽=0 | GENERAL TOLERANCES (UNLESS SPECIFIED)   |         | DIMENSION STYLE<br><b>MM ONLY</b> | SCALE<br><b>2:1</b> | DESIGN UNITS<br><b>METRIC</b>  | THIRD ANGLE PROJECTION              |                            |  |
|  |                               | 4 PLACES ± --- ± ---<br>3 PLACES ± --- ± ---<br>2 PLACES ± 0.2 ± ---<br>1 PLACE ± 0.3 ± --- | mm INCH | DRAWN BY<br>JDENEHY               | DATE<br>2007/01/22  | TITLE<br><b>C-GRID SHROUDED HEADER<br/>         SLOTTED W/O STANDOFFS<br/>         ROHS COMPATIBLE</b> |                                     |                            |  |
|  |                               | ANGULAR ± 2 °   |         | CHECKED BY<br>DWASZKIEWICZ        | DATE<br>2007/01/23  | MOLEX INCORPORATED   |                                     |                            |  |
|  |                               | DRAFT WHERE APPLICABLE<br>MUST REMAIN<br>WITHIN DIMENSIONS                                  |         | APPROVED BY<br>JDENEHY            | DATE<br>2007/01/23  | MATERIAL NO.<br><b>SEE CHART</b>   | DOCUMENT NO.<br><b>SD-91816-001</b> | SHEET NO.<br><b>1 OF 1</b> |  |