

DWG. NO. SD-56265-001

8

7

6

5

4

3

2

F

E

D

C

B

A

DO NOT SCALE DRAWING

8

7

6

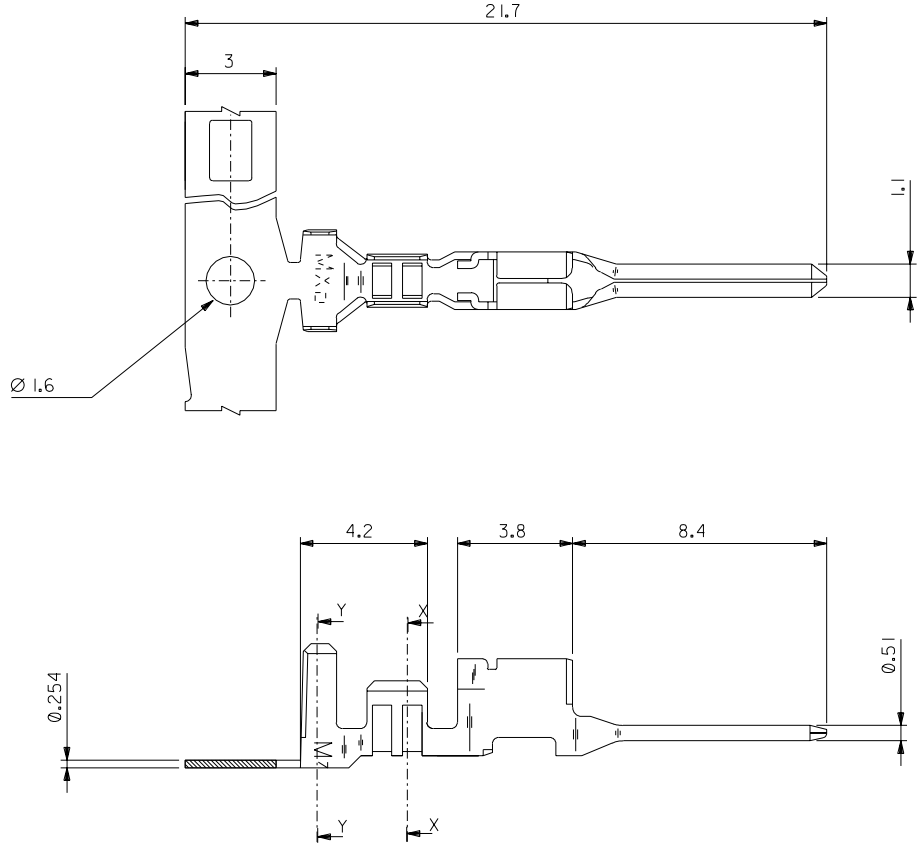
5

4

3

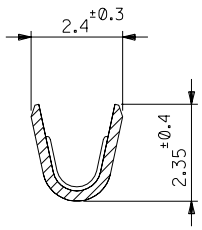
2

EN-02J(097) MXJ-54

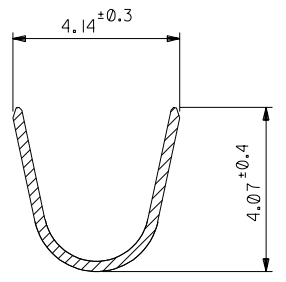


注記  
NOTES

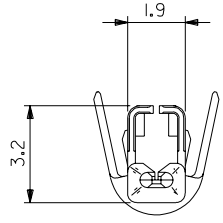
1. 使用材料 : リン青銅, 錫メッキ (t=0.254)  
MATERIAL : PRE-TINNED PHOSPHOR BRONZE (t=0.254)
2. 適合ハウジング : 51346シリーズ  
APPLICABLE HOUSING : 51346 SERIES



SECT. X-X



SECT. Y-Y



56265-8100	バラ状 LOOSE
56265-8000	連鎖状 CHAIN
MATERIAL NO.	端子形状 FORM

EC NO. DRWN: CHK: APPR:	EC NO. DRWN: CHK: APPR:	REVISED	MATERIAL 材料	GENERAL TOLERANCES: (UNLESS SPECIFIED) 一般公差	SCALE	DESIGN UNITS	THIRD ANGLE PROJECTION	DIMENSIONS: <input type="checkbox"/> mm <input type="checkbox"/> INCH <input checked="" type="checkbox"/> mm ONLY	SHT	REV
		EC NO. J2003-2363 DRWN: H.II '03/03/14 CHK: K.ASAKAWA APPR: T.YAMAGUCHI			FINISH 仕上げ	///				
B	A	RELEASED	WIRE RANGE 適用線径範囲	ANGLE 角度	10 UNDER 未満	±0.2	APPROVED BY & DATE T.YAMAGUCHI '02/10/29	MATERIAL NO. SEE CHART	DRAWING NO. SD-56265-001	SHEET NO. 1 OF 1
EC NO. J2003-1314 DRWN: H.II '02/11/08 CHK: K.ASAKAWA APPR: T.YAMAGUCHI	INS. RANGE 被覆外径	∅2.6MAX.			10 OVER 30 UNDER 以上 未満	±0.25				
∅					30 OVER 以上	±0.3				

SD56265001.S01