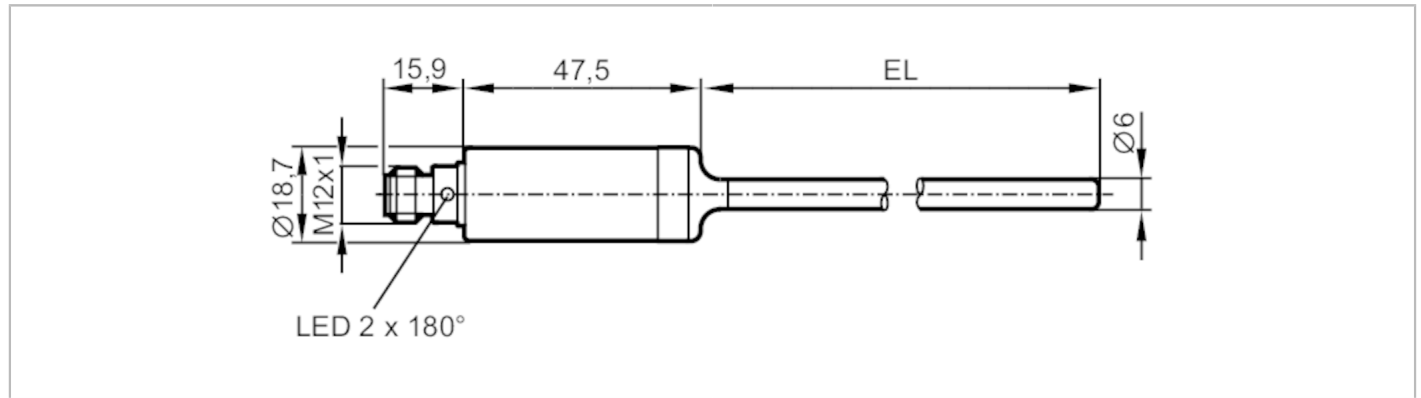


TA2241



Temperature transmitter

TA-150CLE06-- /US



EC 1935/2004 EHEDG Certified

| Product characteristics | |
|------------------------------|--|
| Number of inputs and outputs | Number of analogue outputs: 1 |
| Measuring range [°C] | -50...200 |
| Process connection | diameter Ø 6 mm |
| Installation length EL [mm] | 150 |
| Application | |
| Measuring element | 1 x Pt 1000; (to DIN EN 60751, class A) |
| Media | liquids and gases |
| Pressure rating [bar] | 160 |
| Vacuum resistance [mbar] | -1000 |
| Electrical data | |
| Operating voltage [V] | 18...32 DC; ("supply class 2" to cULus) |
| Current consumption [mA] | < 50 |
| Protection class | III |
| Reverse polarity protection | yes |
| Power-on delay time [s] | 2 |
| Inputs / outputs | |
| Number of inputs and outputs | Number of analogue outputs: 1 |
| Outputs | |
| Total number of outputs | 1 |
| Output signal | analogue signal; IO-Link; (configurable) |
| Number of analogue outputs | 1 |
| Analogue current output [mA] | 4...20 |
| Max. load [Ω] | 250; ((18...19 V); 19...32 V: 300 Ω) |
| Short-circuit protection | yes |
| Overload protection | yes |
| Measuring/setting range | |
| Measuring range [°C] | -50...200 |
| Factory setting | -10...150 °C |

TA2241



Temperature transmitter

TA-150CLE06-- /US

| Resolution | |
|---|---|
| Resolution of analogue output [K] | 0.04 |
| Accuracy / deviations | |
| Precision analogue output [K] | $\pm 0,3 + (\pm 0,1 \% \text{ MS})$ |
| Temperature coefficient [% of the span / 10 K] | 0,1; (in case of deviation from the reference condition $25 \pm 5 \text{ }^\circ\text{C}$) |
| Response times | |
| Dynamic response T05 / T09 [s] | $< 0,5 / < 2$ |
| Interfaces | |
| Communication interface | IO-Link |
| Transmission type | COM2 (38,4 kBaud) |
| IO-Link revision | 1.1 |
| Operating conditions | |
| Ambient temperature [°C] | -25...80 |
| Note on ambient temperature | at medium temperature: $< 160 \text{ }^\circ\text{C}$ -25...60 °C at medium temperature: $< 200 \text{ }^\circ\text{C}$ |
| Storage temperature [°C] | -40...100 |
| Protection | IP 67; IP 68; IP 69K |
| Tests / approvals | |
| EMC | DIN EN 61000-6-2 DIN EN 61000-6-3 |
| Shock resistance | DIN IEC 68-2-27 50 g (11 ms) |
| Vibration resistance | DIN IEC 68-2-6 10 g (10...2000 Hz) |
| MTTF [years] | 334 |
| Note on approval | factory certificate available as download at www.factory-certificate.ifm |
| UL approval | UL Approval no. K002 |
| Mechanical data | |
| Weight [g] | 156.5 |
| Dimensions [mm] | $\varnothing 18.7$ |
| Materials | stainless steel (1.4404 / 316L); PEI; FKM |
| Materials (wetted parts) | stainless steel (1.4404 / 316L) electropolished |
| Process connection | diameter $\varnothing 6 \text{ mm}$ |
| Surface characteristics Ra/Rz of the wetted parts | Ra: < 0.8 |
| Probe diameter [mm] | 6 |
| Installation length EL [mm] | 150 |
| Remarks | |
| Remarks | MS = set measuring span The values for accuracy apply to flowing water. |
| Pack quantity | 1 pcs. |
| Electrical connection | |
| Connector: 1 x M12 | |

TA2241



Temperature transmitter

TA-150CLEDD06-- /US



Connection

