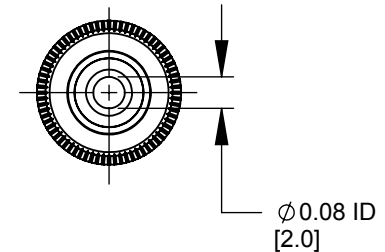
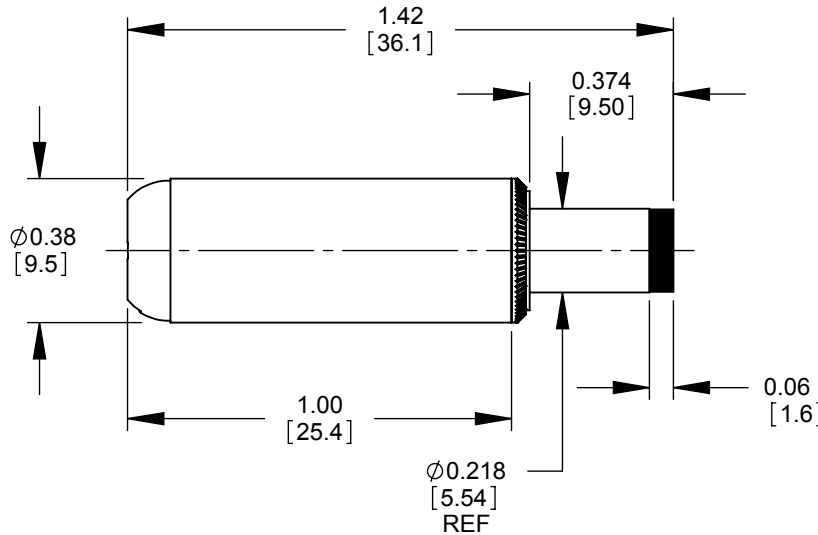
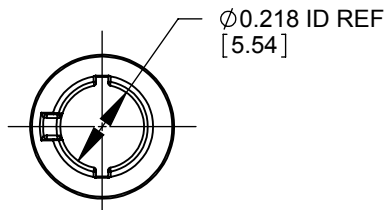


PART NUMBER	HANDLE COLOR
S760H	BLACK
S765H	RED



NOTES:

1. MATERIALS:  
 CONDUCTORS - BRASS, NICKEL PLATED  
 TERMINALS - BRASS, TIN PLATED  
 INSULATORS, HANDLE - THERMOPLASTIC
2. THIS PRODUCT IS RoHS COMPLIANT

**CUSTOMER DRAWING**

THIS DRAWING DESCRIBES A DESIGN CONSIDERED PROPRIETARY IN NATURE, DEVELOPED AND MANUFACTURED BY SWITCHCRAFT INC. AND IS RELEASED ON A CONFIDENTIAL BASIS FOR IDENTIFICATION PURPOSES ONLY.

UNLESS OTHERWISE SPECIFIED

1. ALL DIMENSIONS IN INCHES [mm]  
 - TWO PLACE DECIMALS ±0.02 [0.5]  
 - THREE PLACE DECIMALS ±0.005 [0.13]

SIZE	WIDTH	MULT	LBS/M	TEMPER
FINISH			MATERIAL	
SPEC No.			SPEC No.	
FIRST USED ON		SCALE 2:1		
DATE DRAWN	BY	CHKD	APVD	
6/27/16	PNK	PNK	SRC	
		6/27/16	6/27/16	
NAME			PART No.	REV
Ø0.08 [2.0]mm x 0.374 LONG HT POWER PLUG, RoHS			S760H-S765H	A

**Switchcraft®**

SHEET 1 OF 1

A	27941	09/06/17	PC	TJK
---	-------	----------	----	-----

DO NOT SCALE DRAWING

REVISIONS

SolidWorks CAD File

