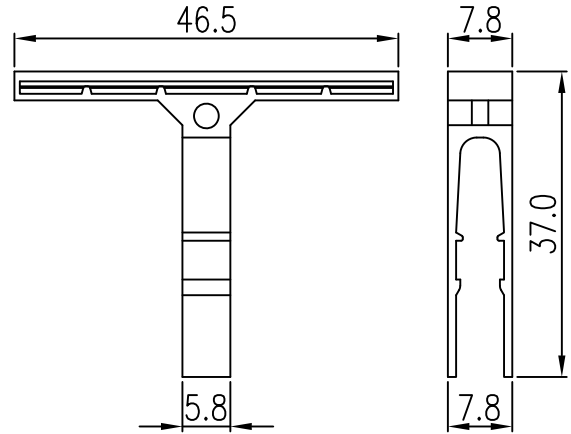


MKH-001



DIN Rail Terminal Blocks > Accessories > Marking label



Specification

Product description	Marking label
Material	PC
Inflammability class	UL94-V2
Compatible products	DP2.5SGC, SS4N, SS5N, SS7N, SS11
Continuous flat marking label	TM-100
Package	50 pcs / box