



RoHS Compliant

CS1110

Surface Mount Tactile

Specifications

Electrical Ratings	50mA @ 50VDC
Electrical Life	100,000 cycles typical
Contact Resistance	<50mΩ initial
Actuation Force	160 ± 50gF
Actuation Travel	.25 ± .1mm

Dielectric Strength	250Vrms min
Insulation Resistance	>100MΩ min
Operating Temperature	-40°C to 85°C
Storage Temperature	-40°C to 85°C

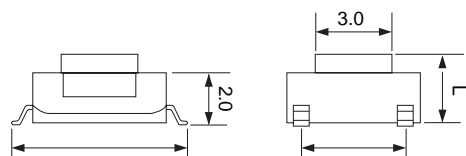
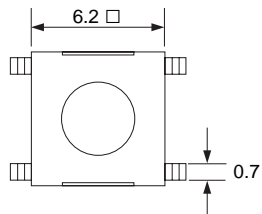
Materials

Actuator	4/6 Nylon
Housing	4/6 Nylon
Cover	Steel
Contacts	Phosphor Bronze, Silver Plated
Terminals	Brass, Silver Plated

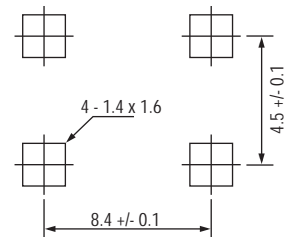
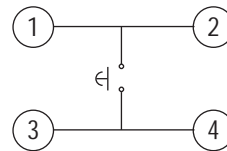
Ordering Information

1. Series	CS1110	3.1
CS1110		
CS1110A with grounding pin		
CS1110J with J lead terminals		
CS1110M with mounting stems		
2. Actuator Length "L" mm		
2.0		
2.3		
2.5		
3.1		

Dimensions



CS1110

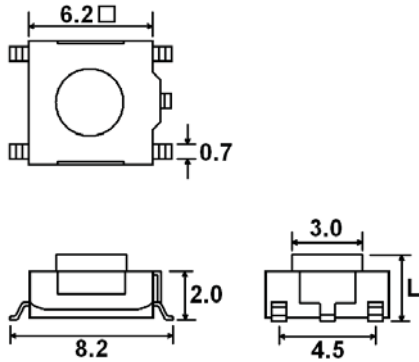


CS1110

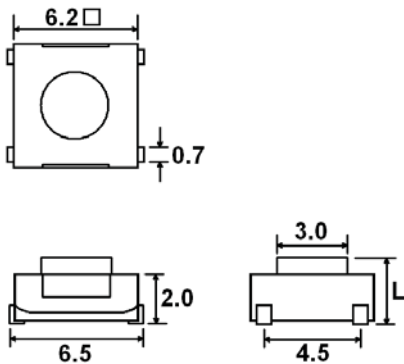
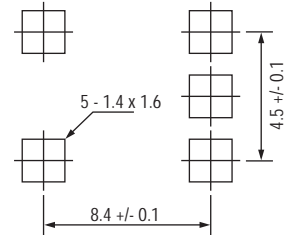
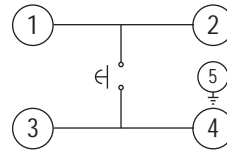
Surface Mount Tactile

Dimensions

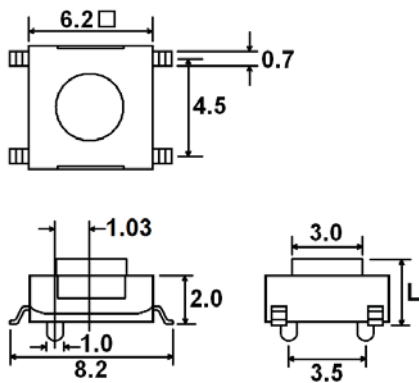
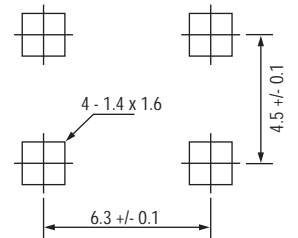
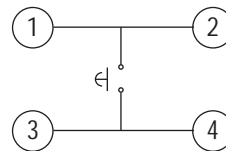
Schematic & PC Layout



CS1110A



CS1110J



CS1110M

