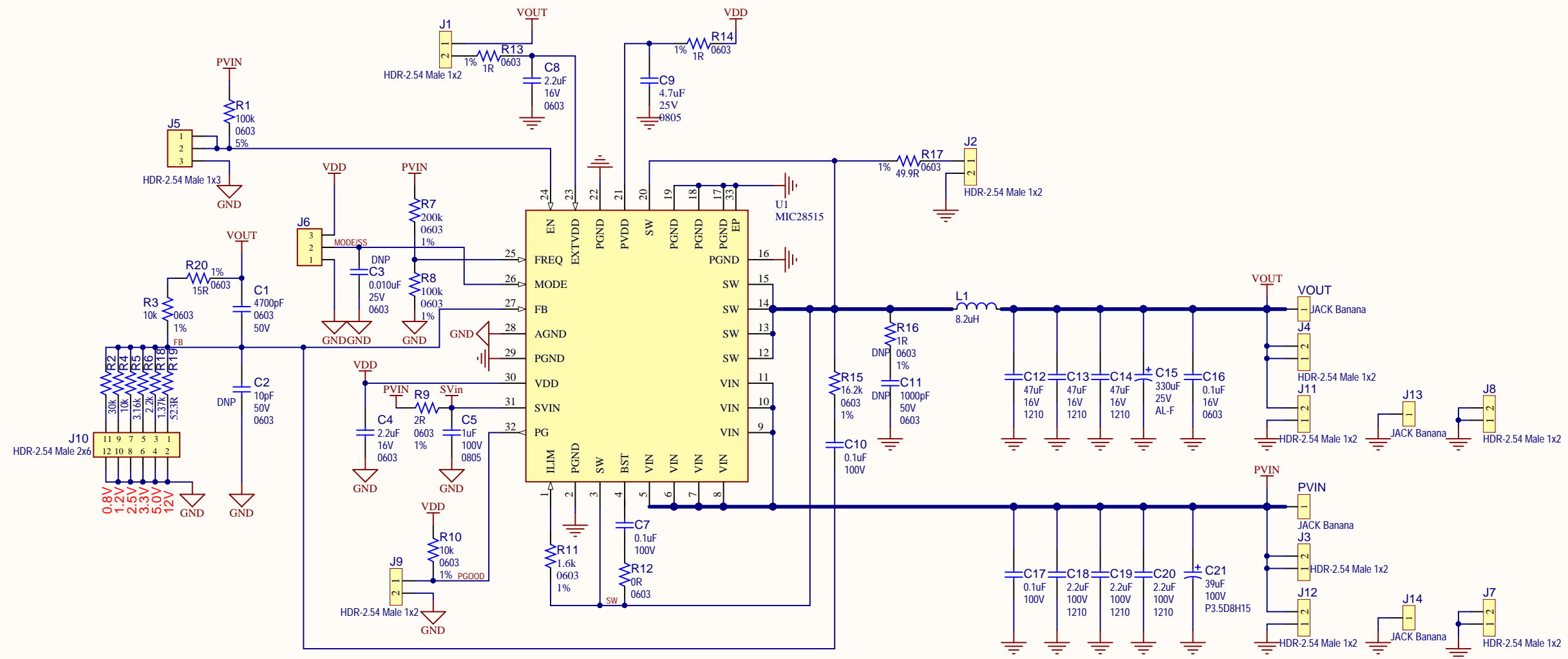


REV	ECO#	DESCRIPTION	DATE



- PAD1
Bump on CYL D9.53H5.97
- PAD2
Bump on CYL D9.53H5.97
- PAD3
Bump on CYL D9.53H5.97
- PAD4
Bump on CYL D9.53H5.97
- JP1
Shunt 2.54mm 1x2 Handle
- JP2
Shunt 2.54mm 1x2 Handle

LABEL1	02-	-R1
JIT		
LABEL Need Help Small		

Drawn By: Razvan Costache		
Engineer: Surya Talari		
PartNumber: ADM00845	Project Title MIC28515 75V/5A HLL Step Down EVB	
Sheet Title MIC28515 EVB Schematic	Designed with 	
Size B	Sch #03-10679	Date: 3/7/2017 2:09:23 PM
Revision:1	Sheet 1 of 1	
File: SCH.SchDoc		