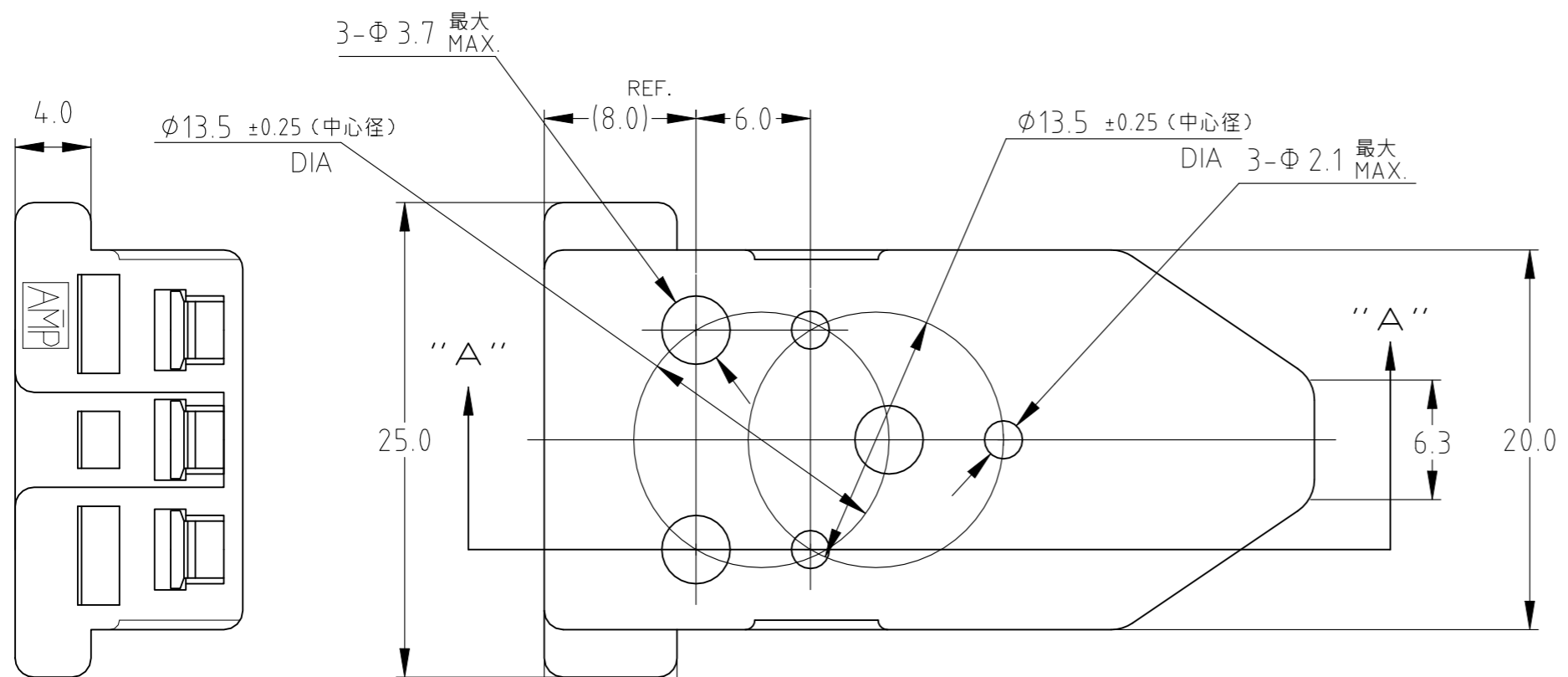
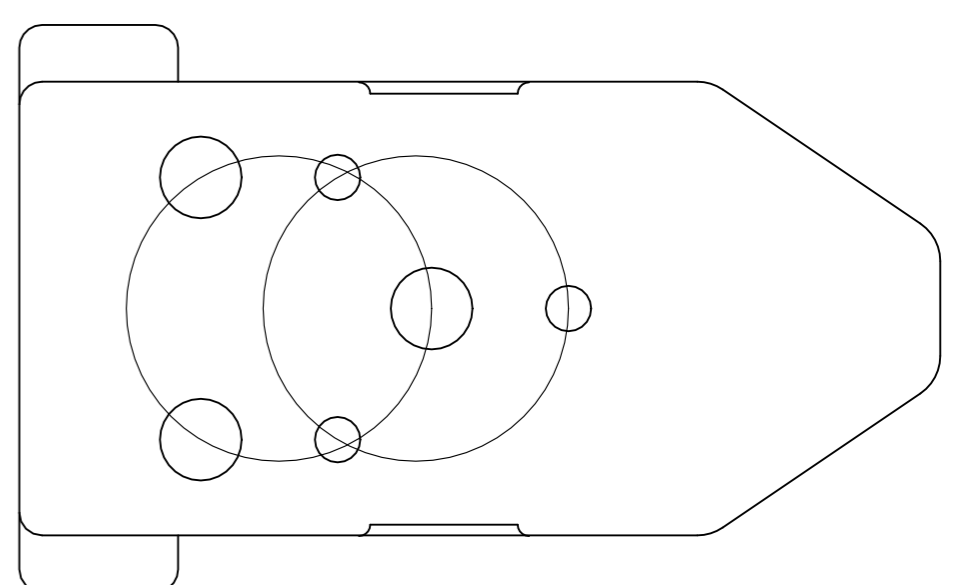


THIS DRAWING IS UNPUBLISHED. RELEASED FOR PUBLICATION OCT. 18 .
 © COPYRIGHT 2002 Tyco Electronics JAPAN G.K. ALL RIGHTS RESERVED.

REVISIONS					
P	LTR	DESCRIPTION	DATE	DWN	APVD
	C1	REVISED PER ECR-16-004471	30MAY2016	K.S	PKS
	C2	REVISED PER ECR-21-122909	05DEC2021	JJ	TD

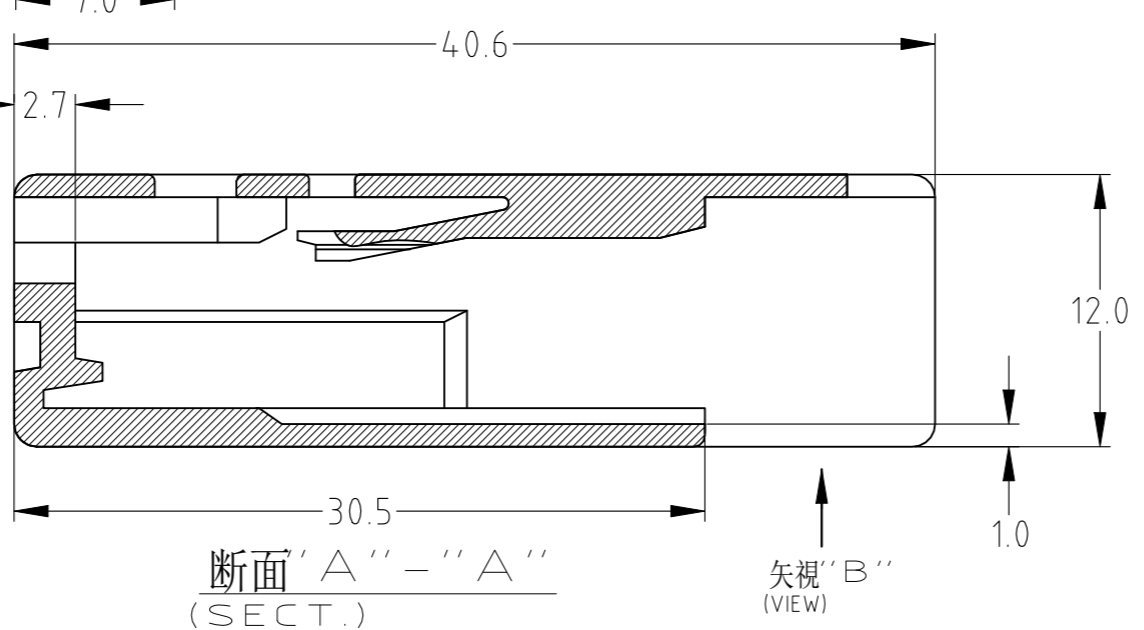


注記
 1. 適用コンタクト 316294, 316292
 △ 耐加水分解PBT
 1. APPLICABLE CONTACT : 316294, 316292
 △ MATERIAL; HYDROLYTIC CLEAVAGE RESISTANCE PBT

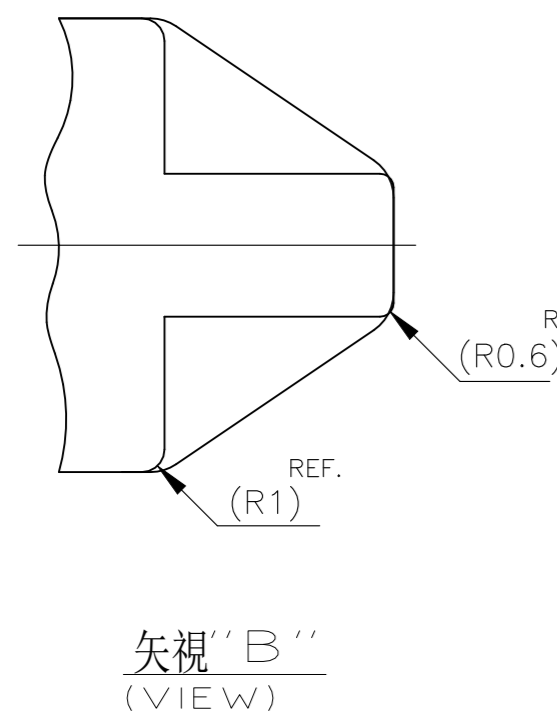


DENT LOCATION FOR 316293-3

DENT LOCATION FOR 316293-1/2



自然色 (NATURAL)	LCP (UL94V-0)	316293-3
黒 (BLACK)	△ 耐加水分解PBT(ガラス強化) GLASS FILLED (UL94HB)	316293-2
自然色 (NATURAL)	PBT(ガラス強化)(UL94HB) GLASS FILLED	316293-1
色調 (COLOR)	材料 (MATERIAL)	型番 (P/N)



THIS DRAWING IS A CONTROLLED DOCUMENT.

DIMENSIONS:	TOLERANCES UNLESS OTHERWISE SPECIFIED:
単位: 耗	一般公差
mm	
0 PLZ	± 0.3
1 PKC	± -
2 PLC	± -
3 P/C	± -
4 PLG	± -
ANGLES	± 3 deg
MATERIAL	FINISH
材料	仕上
SEE TABLE	

DWN	M.SUZUKI	18OCT02	TE Connectivity								
CHK	M.SHINDO	18OCT02									
APVD	M.SHINDO	18OCT02									
PRODUCT SPEC	製品規格	108-5494									
APPLICATION SPEC	取付適用規格	114-5215	NAME 名称 3.2Φクラスター・ブロック 3.2DIA CLUSTER BLOCK								
WEIGHT	0		SIZE	A3	CAGE CODE	00779	DRAWING NO	番号	C-316293	RESTRICTED TO	-
CUSTOMER DRAWING			SCALE	尺度	3:1	SHEET	1 OF 1	REV	C2		