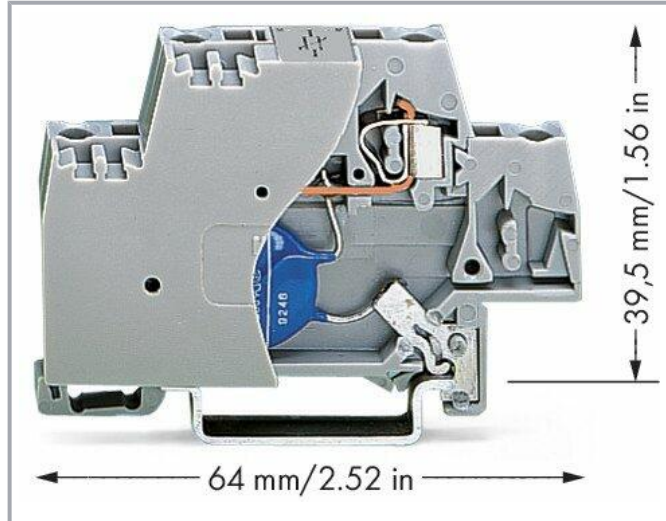
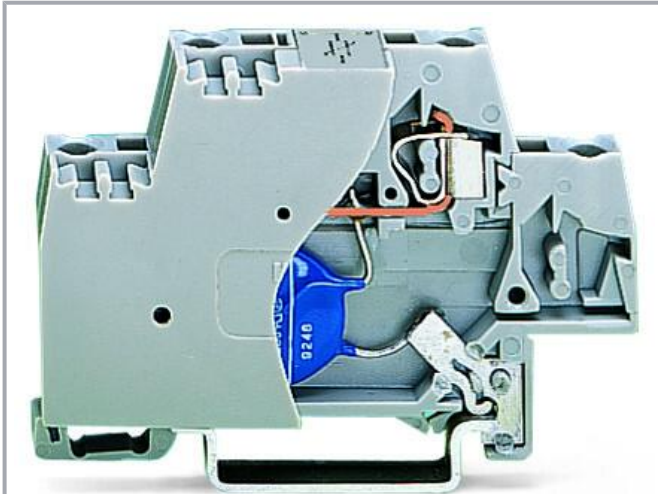


Data sheet | Item number: 280-502/281-584

Component terminal block; double-deck; with end plate; with varistor; for DIN-rail 35 x 15 and 35 x 7.5; 2.5 mm²; CAGE CLAMP®; 2,50 mm²; gray

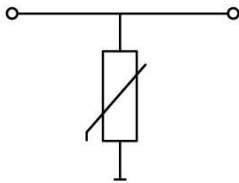


www.wago.com/280-502/281-584



i Picture differs from the item.

Color: —



Item description

Short description:

This component terminal block with surge suppression device, end plate and direct connection to the DIN-35 rail is equipped with a varistor.

Features:

- Protect your system against overvoltage
- Slim, space-saving design
- Control operational costs by preventing expensive, unplanned downtime
- High operational reliability and system uptime

Subject to changes. Please also observe the further product documentation!

WAGO GmbH & Co. KG

Hansastr. 27

32423 Minden

Phone: +49571 887-0 | Fax: +49571 887-169

Email: info.de@wago.com | Web: www.wago.com

Do you have any questions about our products?

We are always happy to take your call at +49 (571) 887-44222.



Data

Electrical data

| | |
|---|-----------------|
| Nominal operating voltage | DC 60 V |
| Highest continuous voltage | DC 85 V |
| Rated continuous current | 20 A |
| Nominal discharge current (8/20 μ s) (line) | 1 kA |
| Discharge current (max.) | 4.5 kA |
| Protection level (8/20 μ s) | \leq DC 165 V |
| Capacitance | \leq 1.7 nF |

Connection data

| | |
|-------------------------|--|
| Connections (number) | 2 |
| Connection technology | CAGE CLAMP® |
| Solid conductor | 0.08 ... 2.5 mm ² / 28 ... 14 AWG |
| Fine-stranded conductor | 0.08 ... 2.5 mm ² / 28 ... 14 AWG |
| Strip length | 8 ... 9 mm / 0.31 ... 0.35 inches |

Physical data

| | |
|------------------------------------|------------------------|
| Width | 10 mm / 0.394 inches |
| Height from upper-edge of DIN-rail | 39.5 mm / 1.555 inches |
| Depth | 64 mm / 2.52 inches |

Mechanical Data

| | |
|---------------|--|
| Design | with end plate; with direct connection to DIN-rail |
| Mounting type | DIN-35 rail |

Material Data

| | |
|-----------------------------|------------------|
| Color | gray |
| Insulation material | Polyamide (PA66) |
| Material group | I |
| Flammability class per UL94 | V0 |
| Fire load | 0.366 MJ |
| Weight | 12.7 g |

Subject to changes. Please also observe the further product documentation!

Environmental requirements

Processing temperature -35 ... +85 °C

Commercial data

| | |
|-----------------------|----------------------------------|
| Product Group | 1 (Rail Mounted Terminal Blocks) |
| eCl@ss 10.0 | 27-14-11-27 |
| eCl@ss 9.0 | 27-14-11-27 |
| ETIM 8.0 | EC000903 |
| ETIM 7.0 | EC000903 |
| PU (SPU) | 50 (1) pcs |
| Packaging type | box |
| Country of origin | DE |
| GTIN | 4050821688433 |
| Customs tariff number | 85369010000 |

Environmental Product Compliance

RoHS Compliance Status Compliant, No Exemption

Required accessories

End plate

End plate



Item no.: 280-341
End and intermediate plate; 2.5 mm thick; orange

www.wago.com/280-341



Item no.: 280-340
End and intermediate plate; 2.5 mm thick; gray

www.wago.com/280-340

Optional accessories

Jumpers

Jumper



Item no.: 280-492
Jumper; 2-way; insulated; gray

www.wago.com/280-492

Insulation stop

Insulation stop



Item no.: 280-472
Insulation stop; 0.75 - 1 mm²; 5 pieces/strip; black

www.wago.com/280-472

Subject to changes. Please also observe the further product documentation!



Item no.: 280-470
Insulation stop; 0.08 - 0.2 mm² "s" (0.14 mm² "f-st"); 5 pieces/strip; white

www.wago.com/280-470



Item no.: 280-471
Insulation stop; 0.25 - 0.5 mm²; 5 pieces/strip; light gray

www.wago.com/280-471

Marking accessories

Marker



Item no.: 2009-145
Mini-WSB Inline; for Smart Printer; 1700 pieces on roll; stretchable 5 - 5.2 mm; plain; snap-on type; white

www.wago.com/2009-145



Item no.: 248-501
Mini-WSB marking card; as card; not stretchable; plain; snap-on type; white

www.wago.com/248-501

Tool

Operating tool



Item no.: 210-720
Operating tool; Blade: 3.5 x 0.5 mm; with a partially insulated shaft; multicoloured

www.wago.com/210-720

Downloads

Documentation

Bid Text

| | | | |
|--------------------------------|-------------|----------------|----------|
| 280-502/281-584 X81 - Datei | 2019 Feb 19 | xml 3.5 kB | Download |
| 280-502/281-584 doc - Datei | 2015 Feb 11 | doc 26.6 kB | Download |

Additional Information

| | | | |
|---|------------------------|---------------|----------|
| Disposal and Recycling Electrical and electronic equipment, Batteries, Packaging | V 1.1.0 2022 Aug 18 | pdf 2.2 MB | Download |
|---|------------------------|---------------|----------|

CAD/CAE-Data

CAD data

| | | |
|------------------------------|-----|----------|
| 2D/3D Models 280-502/281-584 | URL | Download |
|------------------------------|-----|----------|

CAE data

Subject to changes. Please also observe the further product documentation!



| | | |
|-----------------------------------|---------------------|--------------------------|
| EPLAN Data Portal 280-502/281-584 | URL | Download |
| WSCAD Universe 280-502/281-584 | URL | Download |
| ZUKEN Portal 280-502/281-584 | URL | Download |
| WSCAD Universe 280-502/281-584 | URL | Download |
| EPLAN Data Portal 280-502/281-584 | URL | Download |

Environmental Product Compliance

Compliance Search

| | | |
|---|---------------------|--------------------------|
| Environmental Product Compliance 280-502/281-584 | URL | Download |
| Component terminal block; double-deck; with end plate; with varistor; for DIN-rail 35 x 15 and 35 x 7.5; 2.5 mm ² ; CAGE CLAMP®; 2,50 mm ² ; gray | | |

Installation Notes

Subject to changes. Please also observe the further product documentation!

WAGO GmbH & Co. KG
Hansastr. 27
32423 Minden
Phone: +49571 887-0 | Fax: +49571 887-169
Email: info.de@wago.com | Web: www.wago.com

Do you have any questions about our products?
We are always happy to take your call at +49 (571) 887-44222.