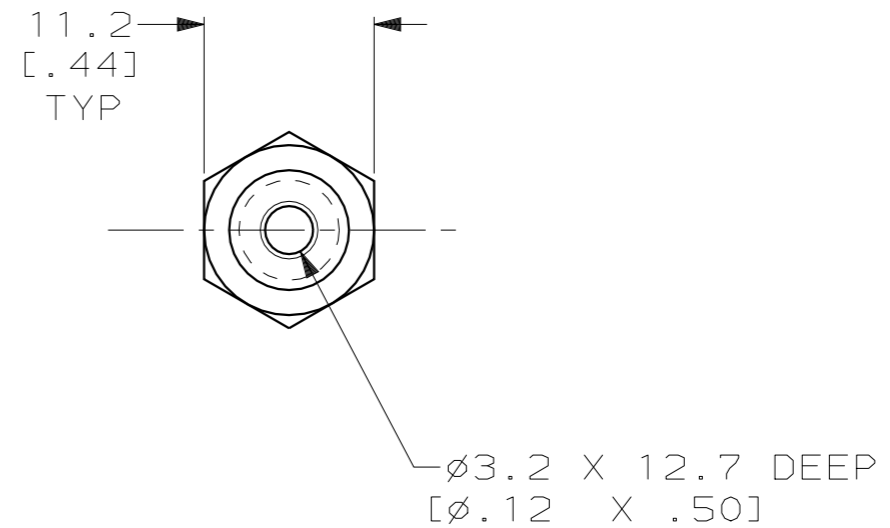
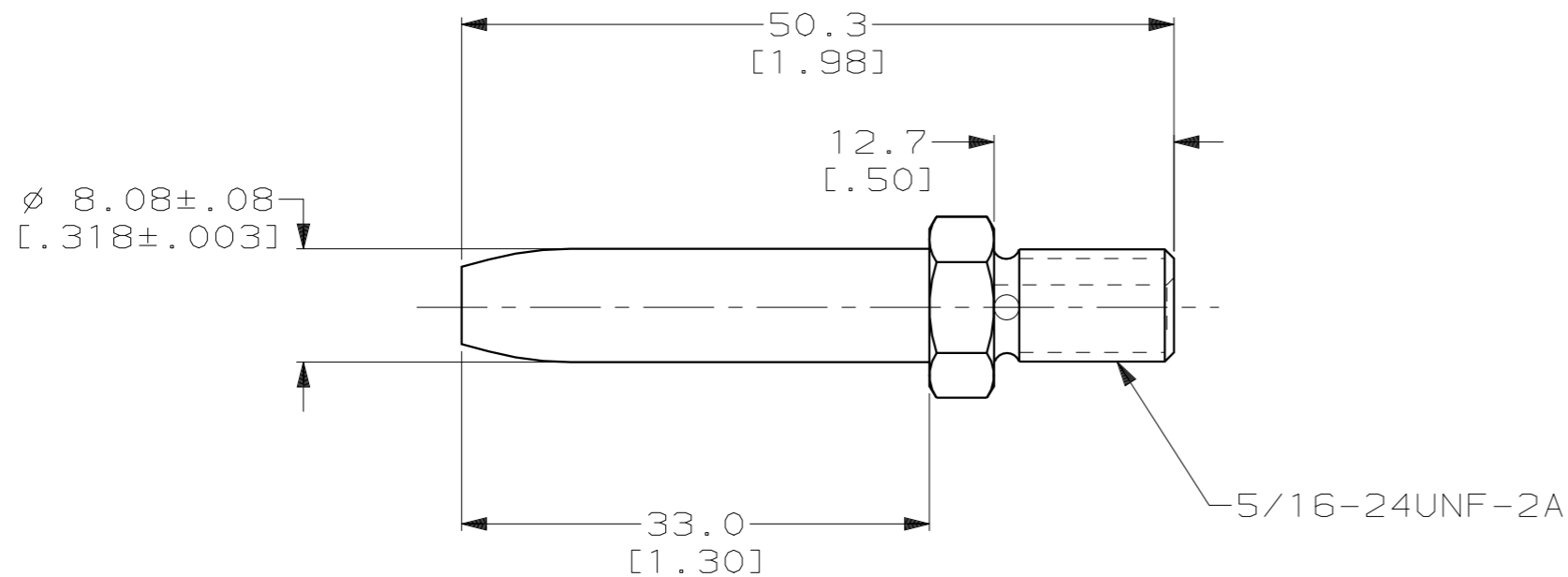


THIS DRAWING IS UNPUBLISHED. RELEASED FOR PUBLICATION, 19 .  
 © COPYRIGHT 19 BY AMP INCORPORATED. ALL INTERNATIONAL RIGHTS RESERVED.

LOC CH	DIST 11	P	F	REVISIONS				
				ZONE	LTR	DESCRIPTION	DATE	APPD
					0	-	-	-

1. THIS DRAWING IS RESTRICTED TO UNITED AIR SPECIALISTS.



OUT FOR CHANGE  
 EC 0B20 0220 98

193798-1  
 PART NO

DO NOT SCALE PRINT. UNLESS SPECIFIED DIMENSIONS IN mm [INCHES] TOLERANCES ON: 1 PLC DEC $\pm$ 0.5 [.02] 2 PLC DEC $\pm$ 0.25 [.010] ANGLES $\pm$ -	DR 09-13-93 J. TURNER	<b>AMP</b> AMP Incorporated Harrisburg, PA 17105-3608
	CHK 09-15-93 ALG	
MATERIAL BRASS	APPD 09-15-93 SRS	NAME
	APPD 09-15-93 PRG	SIZE PIN, 8mm
FINISH SILVER OVER NICKEL	PRODUCT SPEC -	CAGE CODE B 00779
	APPLICATION SPEC -	DRAWING NO C-193798
WEIGHT -		SCALE NTS SHEET 1 OF 1

THIS DRAWING IS A CONTROLLED DOCUMENT FOR AMP INCORPORATED. IT IS SUBJECT TO CHANGE AND THE CONTROLLING ENGINEERING ORGANIZATION SHOULD BE CONTACTED FOR THE LATEST REVISION.