

NOTES:

1. ELECTRICAL:

- VOLTAGE RATING PER IEC 60664: 300V
- VOLTAGE RATING PER UL: 300V
- CURRENT: 8A

2. TEMP RATING: -25° TO +80°C

3. PROTECTION: IP67 (WHEN MATED)

4. COUPLING THREAD" 7/8-16

5. AGENCY:

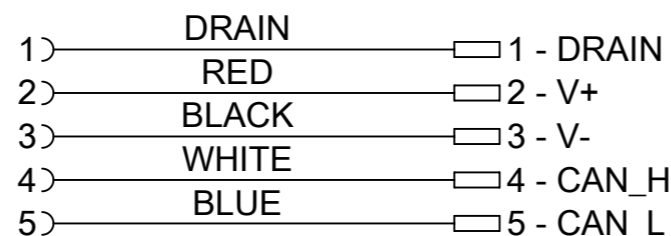
- UL RECOGNIZED, FILE: E152210
- CSA CERTIFICATION FILE: LR6837

6 ALL DIMS ARE FOR REFERENCE UNLES NOTED OTHERWISE

UNLES NOTED OTHERWISE

7. PART NUMBER WITH "H" HAVE TWO ID MARKERS ONE ON EACH END

WIRING DIAGRAM



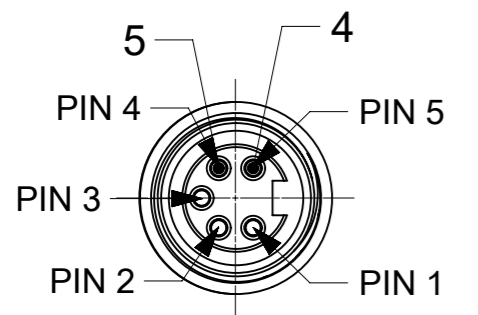
PART No. MATRIX



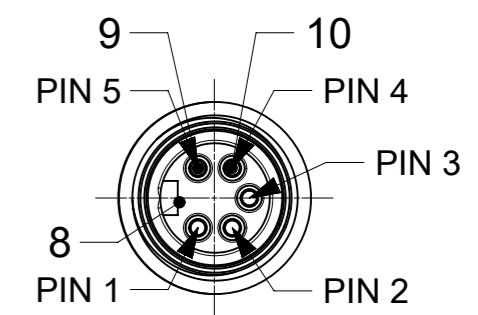
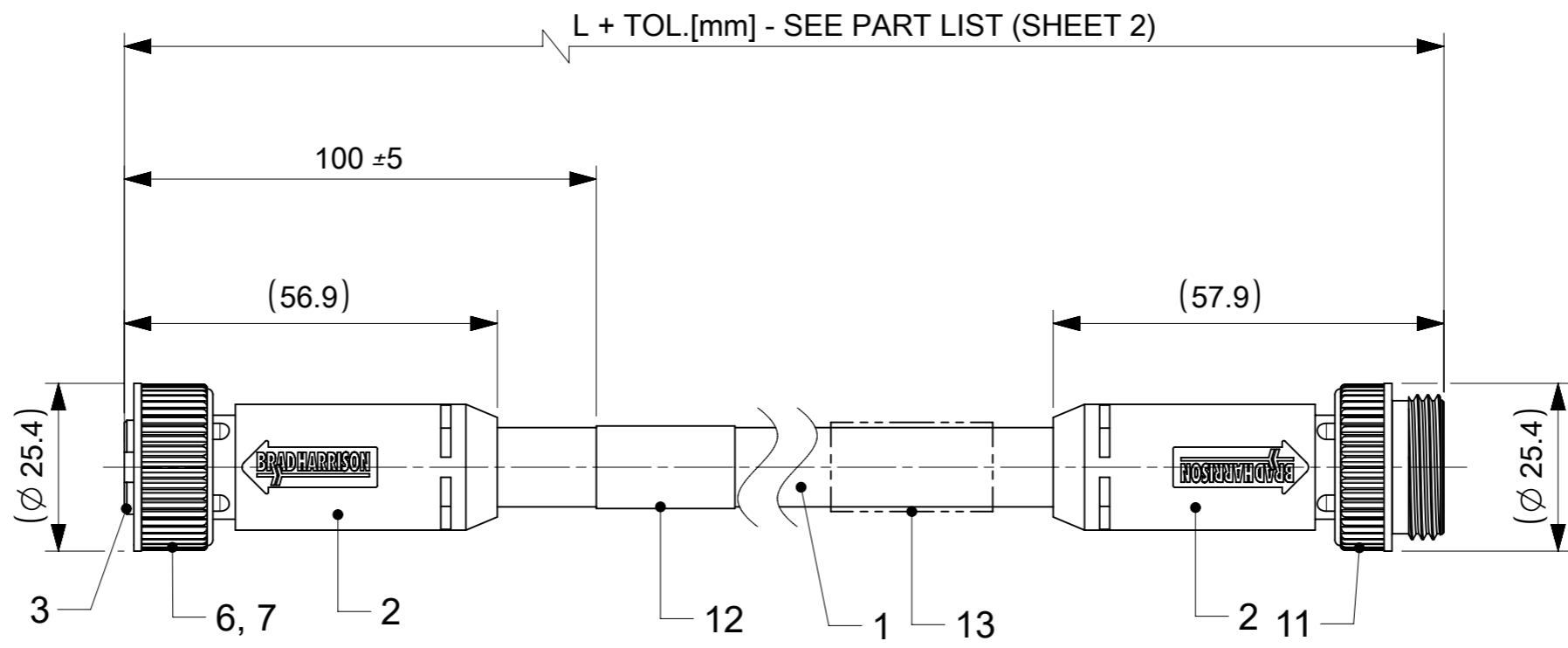
Units: M = Meter

Length Examples:
005 = 0.5 m
010 = 1 m
050 = 5 m
100 = 10 m
150 = 15 m

OPTIONAL:
H= ID CARRIER



VIEW FROM THE FRONT SIDE



VIEW FROM THE FRONT SIDE

BILL OF MATERIALS

ITEM	QTY	DESCRIPTION	MATERIAL	FINISH/COLOR
13	2	ID CARRIER	PVC	-
12	1	LABEL WRAP	VINYL	YELLOW
11	1	COUPLING NUT A-SIZE EXT.	ZINC	BLACK
10	2	PIN CONTACT 16 AWG	COPPER	GOLD OVER Ni-PLATED
9	3	PIN CONTACT 18 AWG	COPPER	GOLD OVER Ni-PLATED
8	1	HOUSING A-SIZE 5P MALE	ARNITEL	BLACK
7	1	FRICTION RING A-SIZE	NYLON	GRAY
6	1	MC COUPLING NUT A-SIZE	ZINC	BLACK
5	2	MC SOCKET SLEEVE ASSY 16 AWG	COPPER	GOLD OVER Ni-PLATED
4	3	MC SOCKET SLEEVE ASSY 18 AWG	COPPER	GOLD OVER Ni-PLATED
3	1	HOUSING A-SIZE 5P FEMALE	ARNITEL	BLACK
2	-	MOULDING MATERIAL	ARNITEL	BLACK
1	-	TRUNK CABLE 19X30 AWG OD=12	PVC	GRAY
ITEM	QTY	DESCRIPTION	MATERIAL	FINISH/COLOR

THIS DRAWING CONTAINS INFORMATION THAT IS PROPRIETARY TO MOLEX ELECTRONIC TECHNOLOGIES, LLC AND SHOULD NOT BE USED WITHOUT WRITTEN PERMISSION

FUNCTIONAL SYMBOLS: $\sqrt{A} = 0$, $\sqrt{E} = 0$, $\sqrt{V} = 0$

DIVISIONAL SYMBOLS: 4 PLACES ±, 3 PLACES ±, 2 PLACES ± 0.05, 1 PLACE ± 0.3, 0 PLACES ± 0.5

THIS DRAWING CONTAINS INFORMATION THAT IS PROPRIETARY TO MOLEX ELECTRONIC TECHNOLOGIES, LLC AND SHOULD NOT BE USED WITHOUT WRITTEN PERMISSION

EC NO: 651030
DRWN: MKOWALCZYK01 2020/04/27
CHK'D: ASZELAG 2020/12/09
APPR: DSTACHOWIAK 2020/12/10

INITIAL REVISION:
DRWN: MKOWALCZYK01 2018/09/07
APPR: MMATLA 2018/09/11

THIRD ANGLE PROJECTION

DRAWING: A3-SIZE
SERIES: 130025
MATERIAL NUMBER: SEE SHEET 2
CUSTOMER: GENERAL MARKET

DOCUMENT NUMBER: 1300250051
DOC TYPE: PSD
DOC PART: 000
REVISION: B

SHEET NUMBER: 1 OF 2

6

5

4

3

2

1

PART LIST

MOLEX PN	ENGINEERING NO.	LENGTH + TOL.[mm]
1300240329	DN11A-M650	65000 + 1300
1300250051	DN11A-M005	500 + 45
1300250054	DN11A-M010	1000 + 56
1300250058	DN11A-M015	1500 + 56
1300250061	DN11A-M020	2000 + 89
1300250067	DN11A-M030	3000 + 89
1300250071	DN11A-M040	4000 + 165
1300250073	DN11A-M050	5000 + 165
1300250076	DN11A-M060	6000 + 165
1300250079	DN11A-M070	7000 + 165
1300250081	DN11A-M080	8000 + 317
1300250083	DN11A-M090	9000 + 317
1300250085	DN11A-M100	10000 + 317
1300250087	DN11A-M120	12000 + 317
1300250090	DN11A-M130	13000 + 317
1300250091	DN11A-M140	14000 + 317
1300250092	DN11A-M150	15000 + 610
1300250095	DN11A-M180	18000 + 610
1300250097	DN11A-M200	20000 + 610
1300250099	DN11A-M210	21000 + 610
1300250102	DN11A-M240	24000 + 610
1300250103	DN11A-M250	25000 + 610
1300250105	DN11A-M270	27000 + 610
1300250108	DN11A-M300	30000 + 610

MOLEX PN	ENGINEERING NO.	LENGTH + TOL.[mm]
1300250114	DN11A-M350	35000 + 700
1300250117	DN11A-M400	40000 + 800
1300250119	DN11A-M450	45000 + 900
1300250122	DN11A-M500	50000 + 1000
1300250128	DN11A-M750	75000 + 1500
1300250649	DN11A-M005H	500 + 45
1300250652	DN11A-M050H	5000 + 165
1300250654	DN11A-M060H	6000 + 165

FUNCTIONAL SYMBOLS	THIS DRAWING CONTAINS INFORMATION THAT IS PROPRIETARY TO MOLEX ELECTRONIC TECHNOLOGIES, LLC AND SHOULD NOT BE USED WITHOUT WRITTEN PERMISSION		
$\frac{F}{A} = 0$	DIMENSION UNITS	SCALE	CURRENT REV DESC: INSERT AND OVM MATERIAL CHANGE
$\frac{F}{E} = 0$	mm	1:1	<p>EC NO: 651030 DRWN: MKOWALCZYK01 2020/04/27 CHK'D: ASZELAG 2020/12/09 APPR: DSTACHOWIAK 2020/12/10</p> <p>INITIAL REVISION: DRWN: MKOWALCZYK01 2018/09/07 APPR: MMATLA 2018/09/11</p>
$\frac{F}{P} = 0$	GENERAL TOLERANCES (UNLESS SPECIFIED)		
	ANGULAR TOL	± °	
	4 PLACES	±	
	3 PLACES	±	
DIVISIONAL SYMBOLS	2 PLACES	± 0.05	
	1 PLACE	± 0.3	
	0 PLACES	± 0.5	
	DRAFT WHERE APPLICABLE MUST REMAIN WITHIN DIMENSIONS	THIRD ANGLE PROJECTION	DRAWING
			A4-SIZE
			SERIES
			130025
			MATERIAL NUMBER
			SEE PART LIST
			CUSTOMER
			GENERAL MARKET
			SHEET NUMBER
			2 OF 2

molex

CSE MC 5P FE STR PVC MA STR 25M DE

PRODUCT CUSTOMER DRAWING

DOCUMENT NUMBER	DOC TYPE	DOC PART	REVISION
1300250051	PSD	000	B

DOCUMENT STATUS	P1	RELEASE DATE	2020/12/10	07:46:39
-----------------	----	--------------	------------	----------

6

5

4

3

2

1

MATERIAL NUMBER	ENGINEERING NUMBER	FINISHED LENGTH
1300250048	DN11A-M003	0.3M [1FT]
1300250652	DN11A-M050H	5M [16 FT 5IN]
1300250133	DN11A-T100	100M [328FT 1IN]
1300250596	DN11A-T200	200M [656FT 2IN]

PART NO. MATRIX

DN11A-M003H

FINISHED LENGTH:

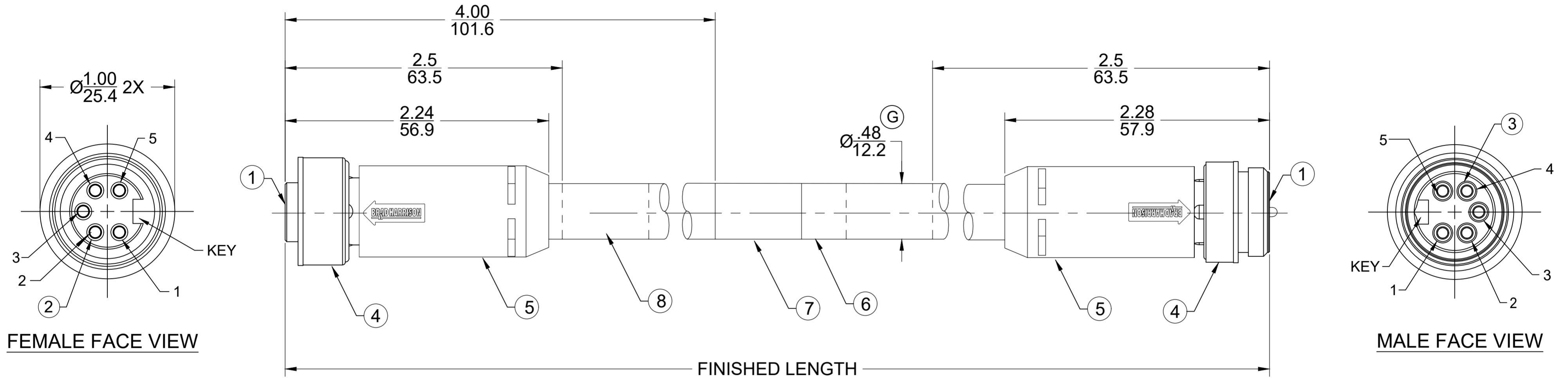
M005= 0.5 METER
M010= 1 METER
M100= 10 METER
T100= 100 METER
T200= 200 METER

ID CARRIER

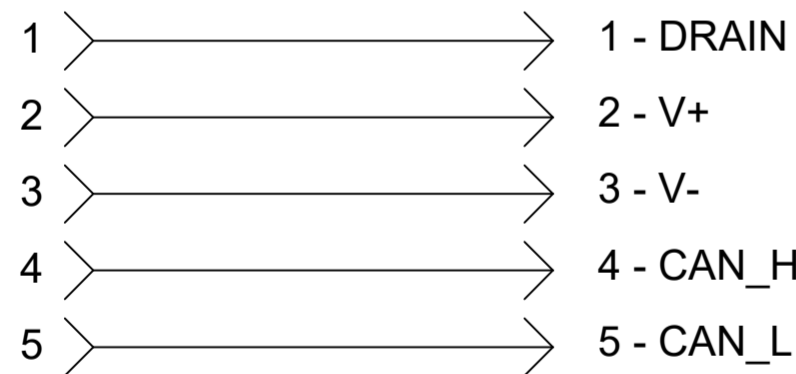
H - SEE NOTE 9
BLANK - NO ID CARRIER

CABLE LENGTH TOLERANCES

<.3M [1FT]: +19mm-0 [+.75in-0]
.3 - .9M [1 - 3FT]: +44.5mm-0 [+1.75in-0]
.9 - 1.8M [3 - 6FT]: +55.6mm-0 [+2.19in-0]
1.8 - 3.7M [6 - 12FT]: +88.9mm-0 [+3.50in-0]
3.7 - 7.3M [12 - 24FT]: +165.1mm-0 [+6.50in-0]
7.3-14.6M [24 - 48FT]: +317.5mm-0 [+12.50in-0]
14.6 - 30.5M [48-100FT]: +622.3mm-0 [+24.50in-0]
OVER 30M [100FT] +2% OF FINISHED LENGTH



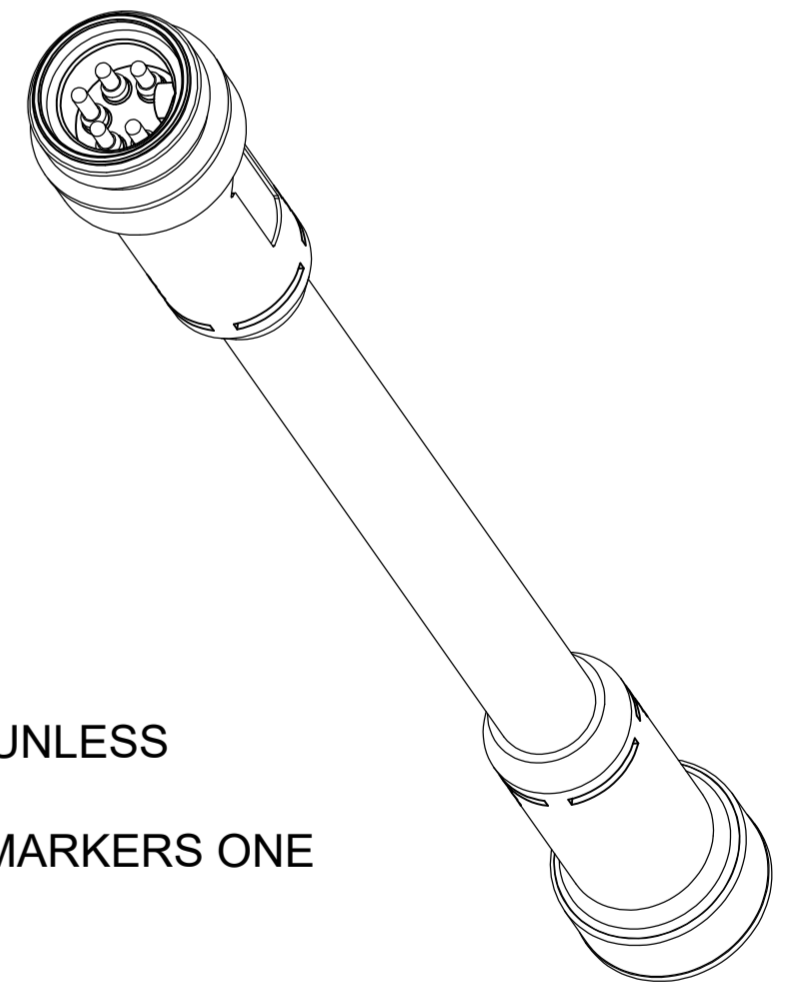
SCHEMATIC



NOTES:

1. MATERIAL: AS NOTED
2. FINISH: AS NOTED
3. ELECTRICAL:
VOLTAGE RATING PER IEC 60664: 300V
VOLTAGE RATING PER UL: 300V
CURRENT: 8A
4. TEMP RATING: -20° TO +60°C
5. PROTECTION: IP67 (WHEN MATED)
6. COUPLING THREAD: 7/8-16
7. UL RECOGNIZED FILE: E152210
CSA CERTIFIED FILE: LR6837
8. ALL DIMENSIONS ARE FOR REFERENCE UNLESS TOLERANCED OR NOTED OTHERWISE
9. PART NUMBERS WITH "H" HAVE TWO ID MARKERS ONE ON EACH END

ITEM	COMPONENT	MATERIAL	FINISH
1	INSERTS	TPE	GRAY
2	CONTACT SOCKET	COPPER ALLOY	GOLD OVER NICKEL
3	CONTACT PIN	COPPER ALLOY	GOLD OVER NICKEL
4	COUPLING NUTS	ZINC DIE CAST	BLACK E-COATED
5	OVERMOLDS	TPE	GRAY
6	TRUNK CABLE 2TPR CORD 15/18AWG	PVC	GRAY
7	LABEL	VINYL	BLACK/YELLOW
8	ID CARRIER	PVC	CLEAR



FUNCTIONAL SYMBOLS									
FA=0	INCH/MM	SCALE	THIS DRAWING CONTAINS INFORMATION THAT IS PROPRIETARY TO MOLEX ELECTRONIC TECHNOLOGIES, LLC AND SHOULD NOT BE USED WITHOUT WRITTEN PERMISSION						
FC=0	NTS	CURRENT REV DESC:	ITEM# 1 & 5 WERE PVC. UPDATED TEMP RATING. ADDED CABLE DIA. MODIFIED MATERIAL NUMBER TABLE						
FP=0	GENERAL TOLERANCES (UNLESS SPECIFIED)		EC NO: 645633						
DIVISIONAL SYMBOLS		mm	INCH	DRWN: ABENJAMINLW 2020/09/02					
		4 PLACES	±----	±----	CHK'D: RSTONE 2020/09/29				
		3 PLACES	±----	±----	APPR: BWOODMAN 2020/10/23				
		2 PLACES	±----	±----	INITIAL REVISION:				
		1 PLACE	±----	±----	DRWN: BWOODMAN 2009/03/16				
		0 PLACES	±----	±----	APPR: JFMURPHY 2009/03/31				
		ANGULAR TOL ± ---- °		THIRD ANGLE PROJECTION					
		DRAFT WHERE APPLICABLE MUST REMAIN WITHIN DIMENSIONS		DRAWING		SERIES		DOCUMENT NUMBER	
				C-SIZE		130025		SD-130025-001	
								DOC TYPE/DOC PART REVISION	
								PSD 001 G	
								MATERIAL NUMBER	
								CUSTOMER	
								SHEET NUMBER	
								1 OF 1	