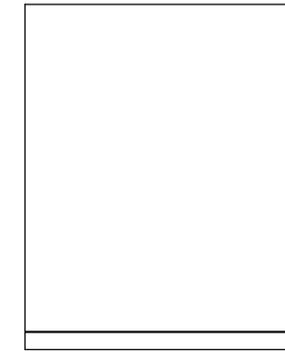
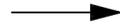
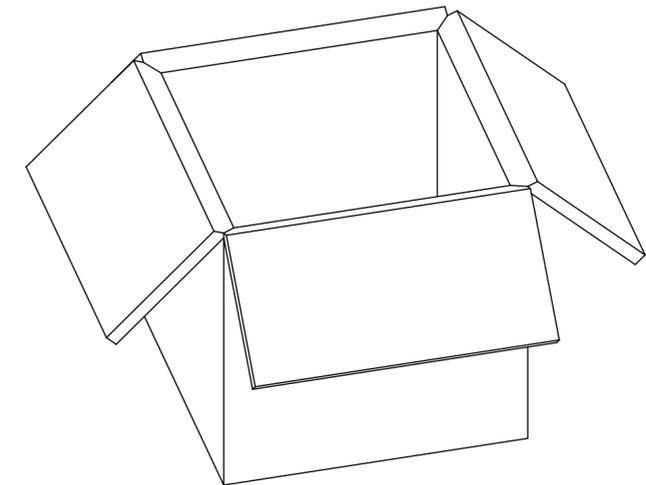


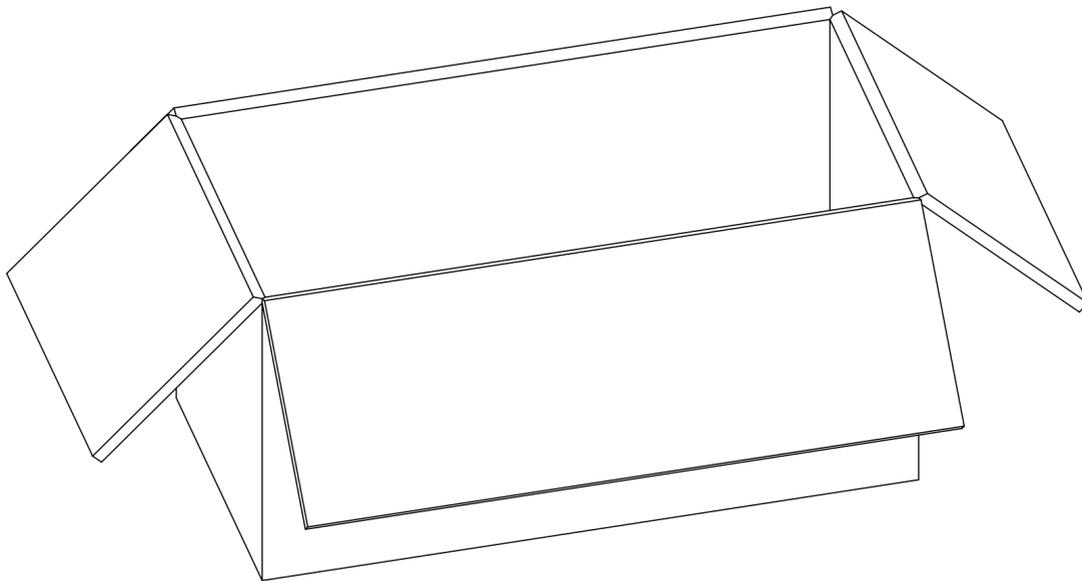
PRODUCT
P/N: XXXXX-XXXX



500 SETS PER BAG



2000 SETS PER INNER CARTON BOX



4000 SETS PER OUTER CARTON BOX

THIS DRAWING CONTAINS INFORMATION THAT IS PROPRIETARY TO MOLEX ELECTRONIC TECHNOLOGIES, LLC AND SHOULD NOT BE USED WITHOUT WRITTEN PERMISSION												
DIMENSION UNITS		SCALE		CURRENT REV DESC: NEW RELEASE PER EWR #15848-B				molex				
mm		NTS										
GENERAL TOLERANCES (UNLESS SPECIFIED)				EC NO: 750290 DRWN: RYEH 2023/05/18 CHK'D: YCHENG 2023/05/24 APPR: YCHENG 2023/05/24 INITIAL REVISION: DRWN: RYEH 2023/05/18 APPR: YCHENG 2023/05/24				PACKAGING SPEC 89707-0001 (DU 4000) EWR-15848				
ANGULAR TOL		± °						PRODUCT CUSTOMER DRAWING				
4 PLACES		±						DOCUMENT NUMBER		DOC TYPE	DOC PART	REVISION
3 PLACES		±						895420161		PSD	000	A
2 PLACES		±						MATERIAL NUMBER		CUSTOMER		SHEET NUMBER
1 PLACE		±		895420161				1 OF 1				
0 PLACES		±		DRAFT WHERE APPLICABLE MUST REMAIN WITHIN DIMENSIONS	THIRD ANGLE PROJECTION	DRAWING	SERIES					
						C-SIZE	89542					

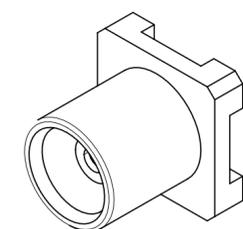
DOCUMENT STATUS	P1	RELEASE DATE	2023/05/24	11:34:24
-----------------	----	--------------	------------	----------

MATERIALS & FINISHES:

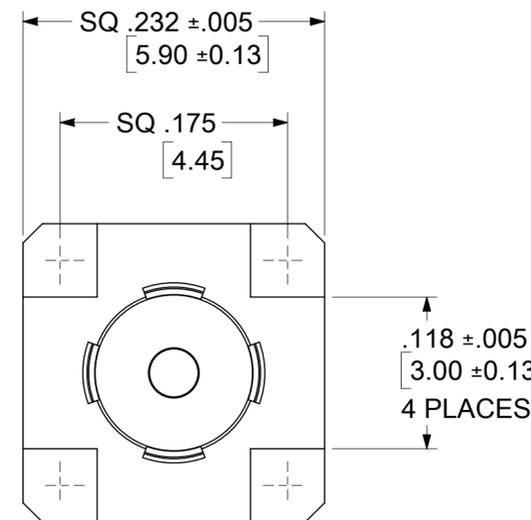
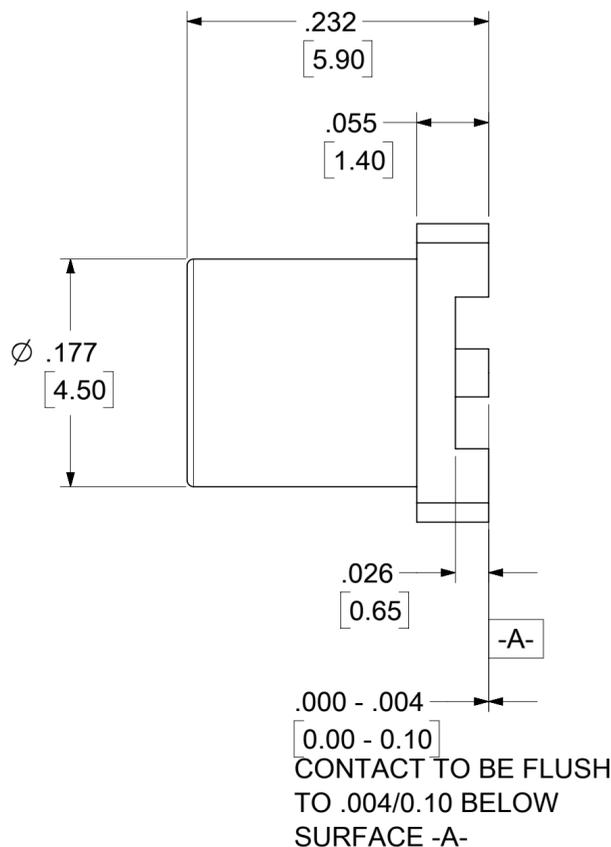
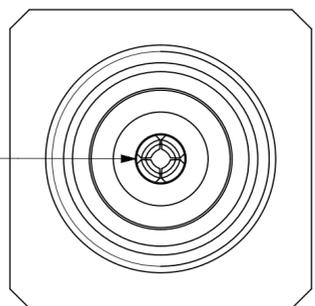
BODY: BRASS
PLATING SEE TABLE

CONTACT: BERYLLIUM COPPER
GOLD (30µ-in MIN)

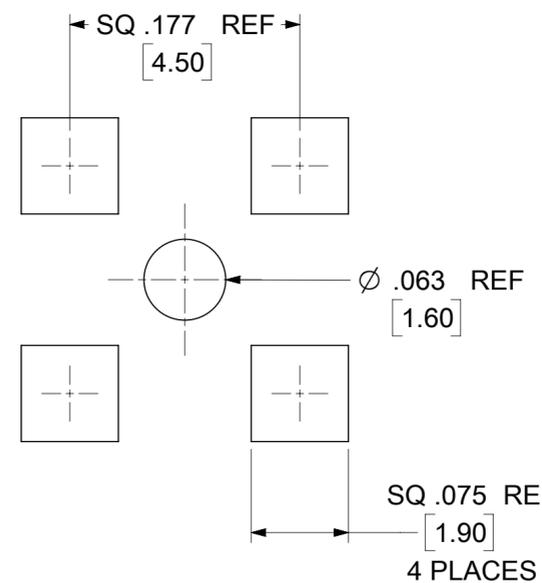
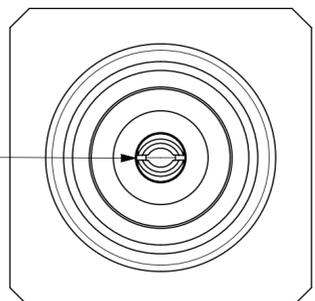
INSULATOR: TEFLON



NOTE:
73415-1696 & 73415-1697
WITH 4 SLOTS CONTACT



NOTE:
73415-1690 & 73415-1691 &
73415-1692 & 73415-1693 &
73415-1694 & 73415-1695 &
73415-1698 & 73415-1699 &
73366-6510
WITH 2 SLOTS CONTACT



RECOMMENDED MOUNTING PATTERN

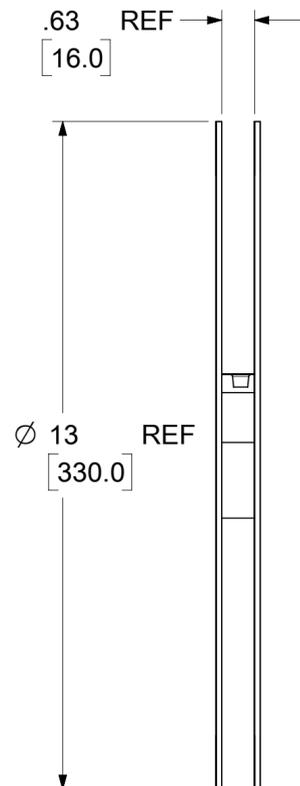
73366-6510	GOLD (1µ-in MIN)	2 SLOTS	73415-1691 TAPE & REEL WITH KAPTON	750 PCS PER REEL	SHEET 2, 3 & 4
73415-1699	GOLD (1µ-in MIN)	2 SLOTS	73416-1691 ONE PER BAG	1 PCS PER BAG	895420089
73415-1698	GOLD (30µ-in MIN)	2 SLOTS	73415-1698 TAPE & REEL WITH KAPTON	750 PCS PER REEL	SHEET 2, 3 & 4
73415-1697	GOLD (1µ-in MIN)	4 SLOTS	73415-1696 TAPE & REEL WITH KAPTON	750 PCS PER REEL	SHEET 2, 3 & 4
73415-1696	GOLD (1µ-in MIN)	4 SLOTS	73415-1696 BAG	500 PCS PER BAG	895420061
73415-1695	NICKEL	2 SLOTS	73415-1690 TAPE & REEL WITH KAPTON	750 PCS PER REEL	SHEET 2, 3 & 4
73415-1694	GOLD (1µ-in MIN)	2 SLOTS	73416-1691 SMALL TRAY	20 PCS PER TRAY	895420200
73415-1693	NICKEL	2 SLOTS	73415-1690 SMALL TRAY	20 PCS PER TRAY	895420200
73415-1692	GOLD (1µ-in MIN)	2 SLOTS	73415-1691 TAPE & REEL WITH KAPTON	750 PCS PER REEL	SHEET 2, 3 & 4
73415-1691	GOLD (1µ-in MIN)	2 SLOTS	73415-1691 BAG	500 PCS PER BAG	895420161
73415-1690	NICKEL	2 SLOTS	73415-1690 BAG	500 PCS PER BAG	895420161
PART NO.	BODY PLATING	CONTACT	DESCRIPTION	QUANTITY	PACKING SPEC

PS-89675-183	ELEC/MECH PERFORMANCE
SPECIFICATION	DESCRIPTION

PENDING APPROVAL

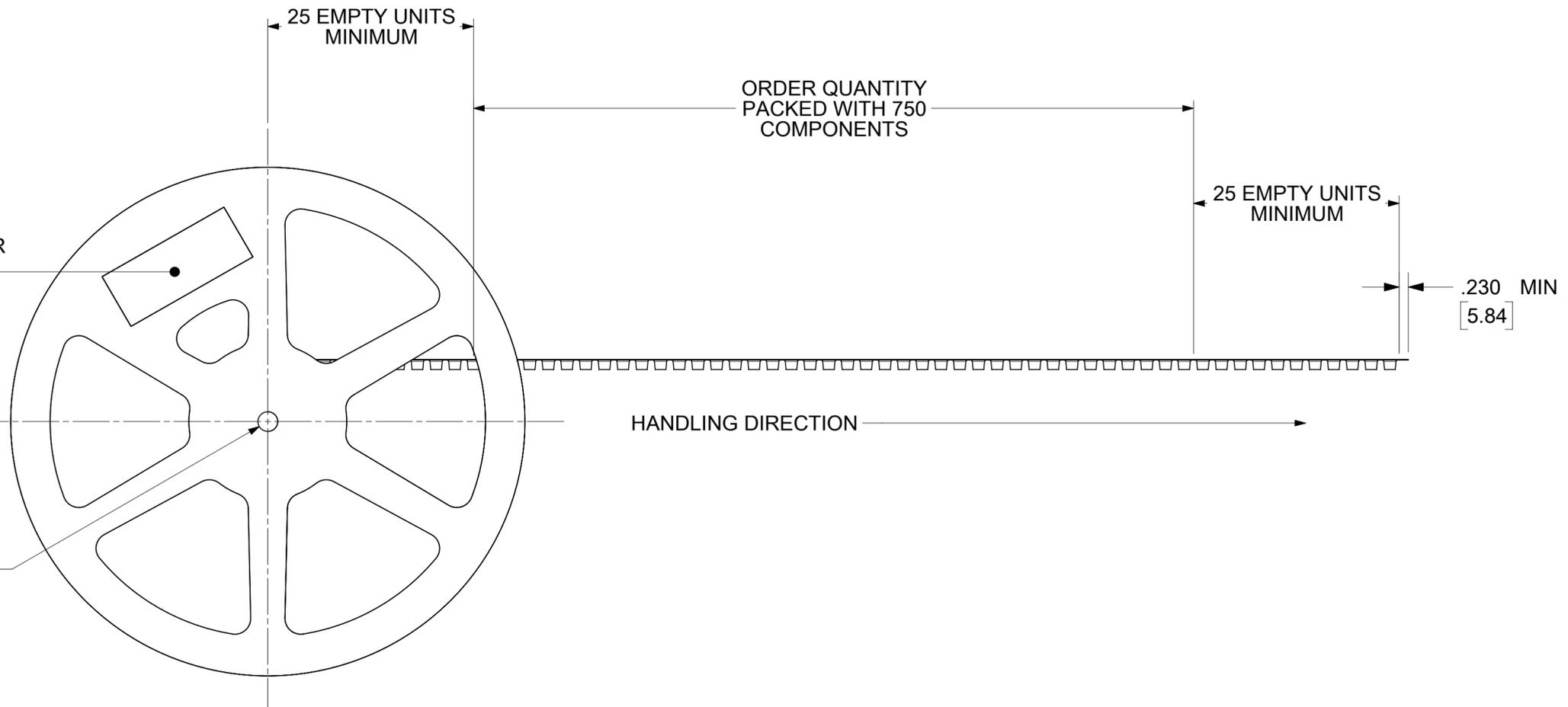
THIS DRAWING CONTAINS INFORMATION THAT IS PROPRIETARY TO MOLEX ELECTRONIC TECHNOLOGIES, LLC AND SHOULD NOT BE USED WITHOUT WRITTEN PERMISSION

DIMENSION UNITS INCH/MM	SCALE NTS	CURRENT REV DESC: ADD PACKING SPEC PER EWR #15848-A	molex		
GENERAL TOLERANCES (UNLESS SPECIFIED)		EC NO: 750290			
4 PLACES ±	±	DRWN: RYEH	PRODUCT CUSTOMER DRAWING		
3 PLACES ±	± 0.01	CHK'D: 2023/05/10	DOCUMENT NUMBER		
2 PLACES ±	± 0.25	APPR:	SD-73415-169		
1 PLACE ±	±	INITIAL REVISION:	DOC TYPE DOC PART REVISION		
0 PLACES ±	±	DRWN: YCHENG 2007/02/08	PSD 001 B7		
ANGULAR TOL ± 2.0 °		APPR: MHUANG 2007/02/09	MATERIAL NUMBER CUSTOMER SHEET NUMBER		
DRAFT WHERE APPLICABLE MUST REMAIN WITHIN DIMENSIONS	THIRD ANGLE PROJECTION	DRAWING C-SIZE	SERIES 73415	SEE TABLE	GENERAL MARKET 1 OF 4

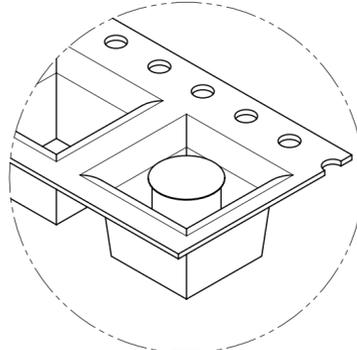
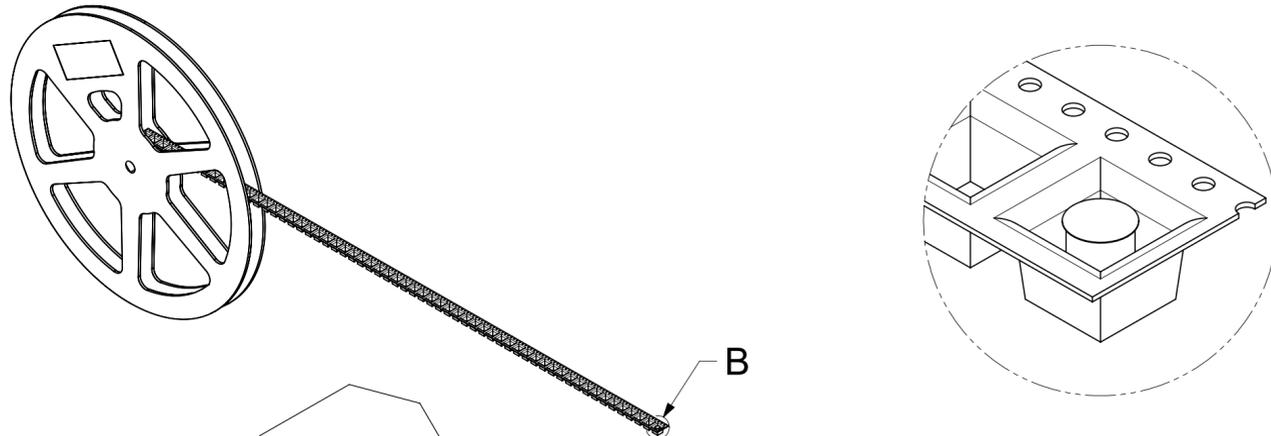


LABEL:
 -ORDER NUMBER
 -QUANTITY
 -PART NUMBER
 -LOT NUMBER

Ø .502 REF [12.75]



VIEWS FOR 73415-1692 & 73415-1695 & 73415-1697 & 73415-1698 & 73366-6510



DETAIL B

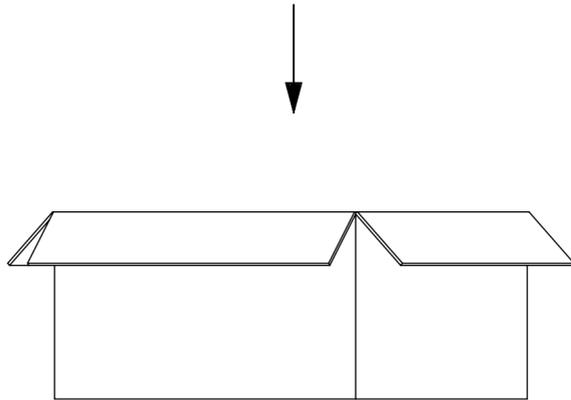
PENDING APPROVAL

THIS DRAWING CONTAINS INFORMATION THAT IS PROPRIETARY TO MOLEX ELECTRONIC TECHNOLOGIES, LLC AND SHOULD NOT BE USED WITHOUT WRITTEN PERMISSION												
DIMENSION UNITS INCH/MM		SCALE NTS		CURRENT REV DESC: ADD PACKING SPEC PER EWR #15848-A				molex		MCX PCB/SMT JACK 50 OHM MCX-J/PCB/SMT EWR-1148		
GENERAL TOLERANCES (UNLESS SPECIFIED)				EC NO: 750290 DRWN: RYEH CHK'D: APPR:								
		MM	INCH	2023/05/10				PRODUCT CUSTOMER DRAWING				
4 PLACES ±				INITIAL REVISION:				DOCUMENT NUMBER		DOC TYPE	DOC PART	REVISION
3 PLACES ±			0.01	DRWN: YCHENG APPR: MHUANG				SD-73415-169		PSD	001	B7
2 PLACES ±		0.25		2007/02/08 2007/02/09				MATERIAL NUMBER		CUSTOMER		SHEET NUMBER
1 PLACE ±				THIRD ANGLE PROJECTION				SEE TABLE		GENERAL MARKET		3 OF 4
0 PLACES ±				DRAWING								
ANGULAR TOL ± 2.0 °				C-SIZE				73415				
DRAFT WHERE APPLICABLE MUST REMAIN WITHIN DIMENSIONS												

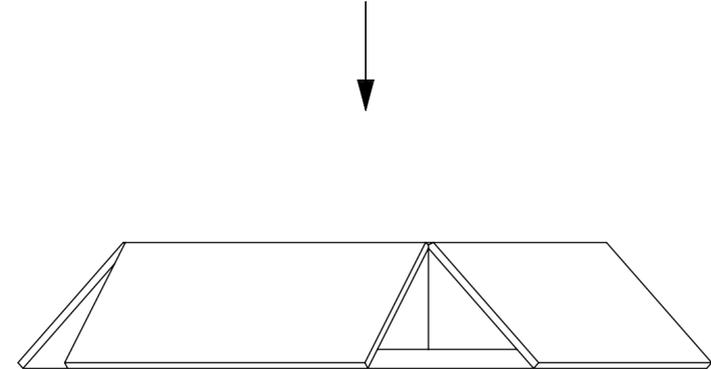
DOCUMENT STATUS	RQ	RELEASE DATE																		
-----------------	----	--------------	--	--	--	--	--	--	--	--	--	--	--	--	--	--	--	--	--	--

73415-1698	73415-1698 TAPE & REEL WITH KAPTON	750 PCS	6000 PCS
73415-1697	73415-1696 TAPE & REEL WITH KAPTON	750 PCS	6000 PCS
73415-1695	73415-1690 TAPE & REEL WITH KAPTON	750 PCS	6000 PCS
73415-1692	73415-1691 TAPE & REEL WITH KAPTON	750 PCS	6000 PCS
PART NO.	DESCRIPTION	QTY/REEL	QTY/CARTON

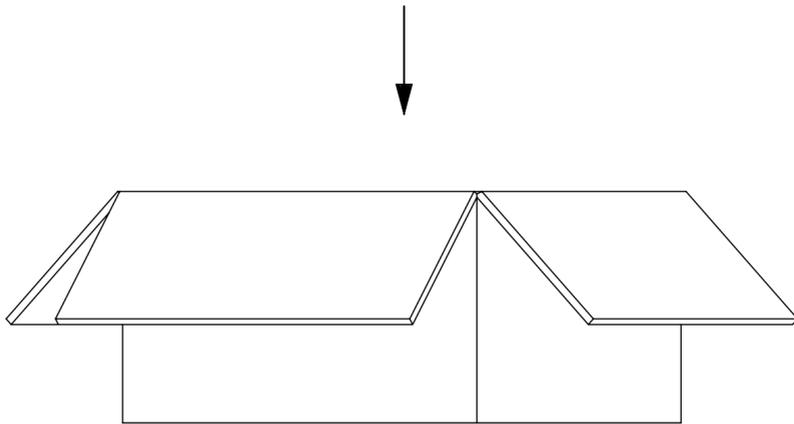
73366-6510	73415-1691 TAPE & REEL WITH KAPTON	750 PCS	750 PCS
PART NO.	DESCRIPTION	QTY/REEL	QTY/CARTON



8 REELS PER INNER CARTON BOX
(8 X 750 = 6000 PCS)



1 REEL PER CARTON BOX
(1 X 750 = 750 PCS)



8 REELS PER OUTER CARTON BOX
(8 X 750 = 6000 PCS)

PENDING APPROVAL

THIS DRAWING CONTAINS INFORMATION THAT IS PROPRIETARY TO MOLEX ELECTRONIC TECHNOLOGIES, LLC AND SHOULD NOT BE USED WITHOUT WRITTEN PERMISSION									
DIMENSION UNITS		SCALE		CURRENT REV DESC: ADD PACKING SPEC PER EWR #15848-A				molex	
INCH/MM		NTS							
GENERAL TOLERANCES (UNLESS SPECIFIED)				EC NO: 750290		2023/05/10		MCX PCB/SMT JACK 50 OHM MCX-J/PCB/SMT EWR-1148	
		MM	INCH	DRWN: RYEH				PRODUCT CUSTOMER DRAWING	
4 PLACES		±	±	CHK'D:		SD-73415-169		DOCUMENT NUMBER	
3 PLACES		±	± 0.01	APPR:				DOC TYPE	
2 PLACES		± 0.25	±	INITIAL REVISION:		PSD		001	
1 PLACE		±	±	DRWN: YCHENG		2007/02/08		REVISION	
0 PLACES		±	±	APPR: MHUANG		2007/02/09		B7	
ANGULAR TOL		± 2.0 °		THIRD ANGLE PROJECTION		DRAWING		SERIES	
DRAFT WHERE APPLICABLE MUST REMAIN WITHIN DIMENSIONS				C-SIZE		73415		MATERIAL NUMBER	
						SEE TABLE		CUSTOMER	
						GENERAL MARKET		SHEET NUMBER	
								4 OF 4	

DOCUMENT STATUS	RQ	RELEASE DATE	
-----------------	----	--------------	--