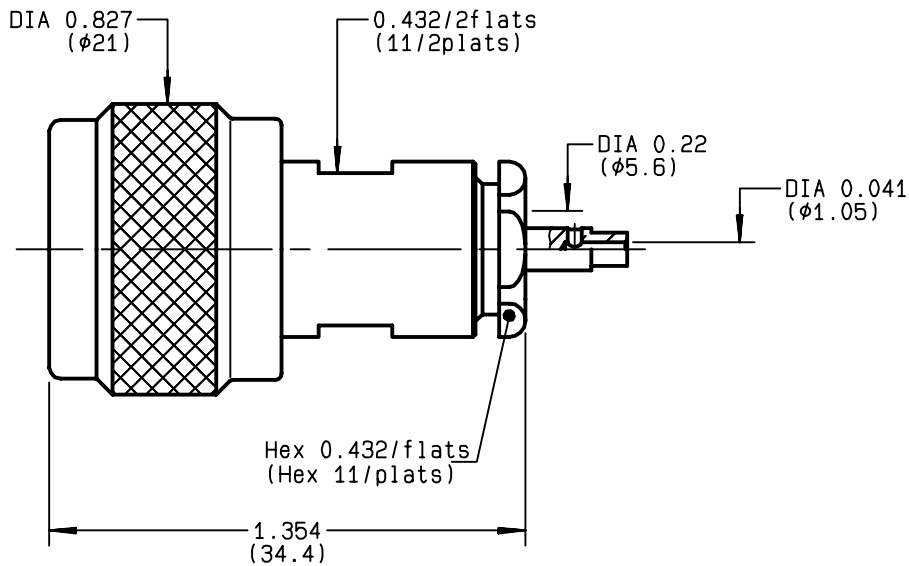


**STRAIGHT PLUG CLAMP TYPE  
CABLE 5/50 S+D**

**R161.008.000**  
**SERIES N**



NOMINAL IMPEDANCE	<b>50</b> Ω	CABLES : <b>KX 15</b> <b>KX 23</b> <b>RG 141</b> <b>RG 142</b> <b>RG 142 FTX</b> <b>RG 223</b> <b>RG 400</b> <b>RG 58</b>
FREQUENCY RANGE	<b>0-11</b> GHz	
TEMPERATURE RATING	<b>-55/+155</b> °C	
V.S.W.R	<b>1.30</b> + x F(GHz)Maxi	
RF INSERTION LOSS	<b>0.048</b> √F(GHz) dB Maxi	
VOLTAGE RATING	<b>850</b> Veff Maxi	
DIELECTRIC WITHSTANDING VOLTAGE	<b>1500</b> Veff Mini	
INSULATION RESISTANCE	<b>5000</b> MΩMini	
HERMETIC SEAL	<b>NA</b> Atm.cm <sup>3</sup> /s	
LEAKAGE (pressurized only)	<b>NA</b>	
MECHANICAL DURABILITY	<b>500</b> Cycles	OTHERS CHARACTERISTICS
WEIGHT	<b>33</b> gr	CABLE RETENTION <b>150</b> N Mini
SPECIFICATION	<b>DHS 795 302 00</b>	CENTER CONTACT RETENTION
		Axial force - mating end <b>NA</b> N Mini
		Axial force - opposite end <b>NA</b> N Mini
		Torque <b>NA</b> cm.N Mini
		RECOMMENDED TORQUES
		Mating <b>130</b> cm.N
		Panel nut <b>NA</b> cm.N
		Clamp nut <b>450</b> cm.N

CONNECTOR PARTS	MATERIALS	FINISH	(all values are given ) in micrometers
BODY	BRASS	BBR 2	
OUTER CONTACT	BRASS	BBR 2	
CENTER CONTACT	BRASS	GOLD 0.5 OVER NICKEL 2	
INSULATOR	PTFE	-	
GASKET	SILICONE RUBBER	-	
OTHERS PIECES	BRASS	BBR 2	

ISSUE	CREATION DATE	FILE PART-NUMBER
<b>9809R02</b>	<b>12/10/1992</b>	<b>EPC 96-07</b>



BONOMINI

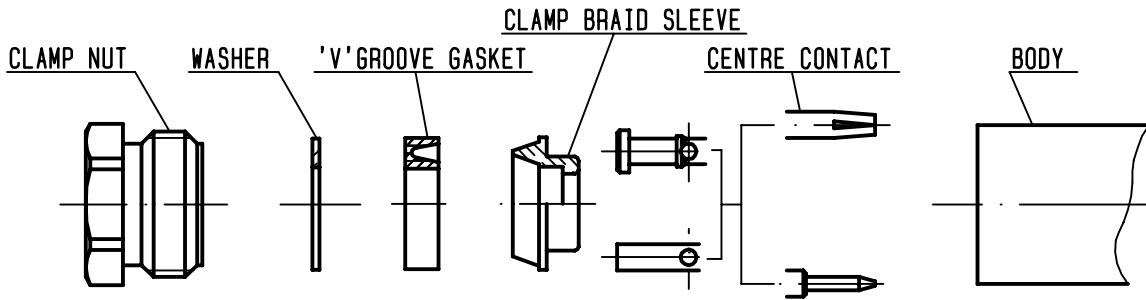
The information given here is subject to change without notice.  
Design changes may be in order to improve the product .

*Connect to the future*



**R161.008.000**

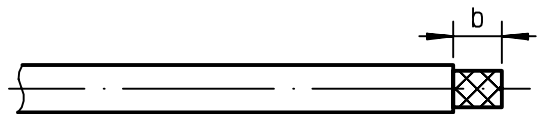
ISSUE 9809R02 SERIES N



①

Strip the cable .

-  
-  
-  
-

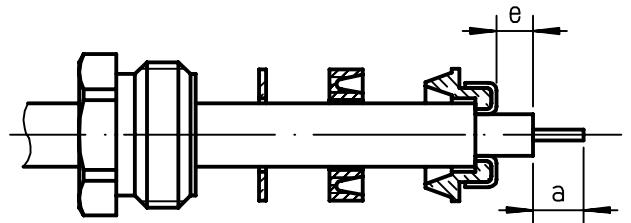


Stripping	a	b	c	d	e
inch	0.157	0.295	0	0	0.039
mm	4	7.5			1

②

Slide the clamp nut , the washer and the 'V'groove gasket onto the cable .  
Slide clamp braid sleeve over braid .  
Fold back braid and trim off surplus braid .  
Trim back dielectric as shown .

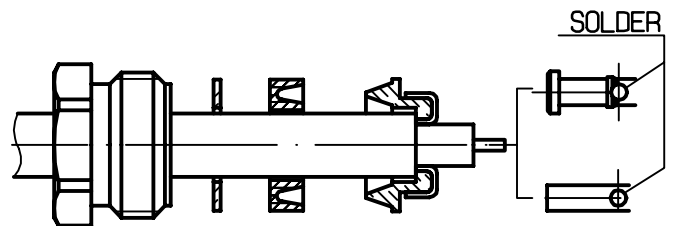
-  
-



③

Solder the cable inner conductor into centre contact .

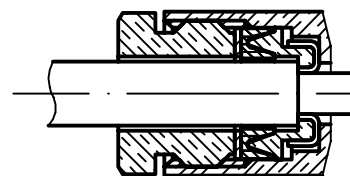
-  
-  
-  
-



④

Screw sub-assembly into the connector body .  
( recommended coupling torque 39.82 in.lb )

-  
-



Hex. : 0.433/flats