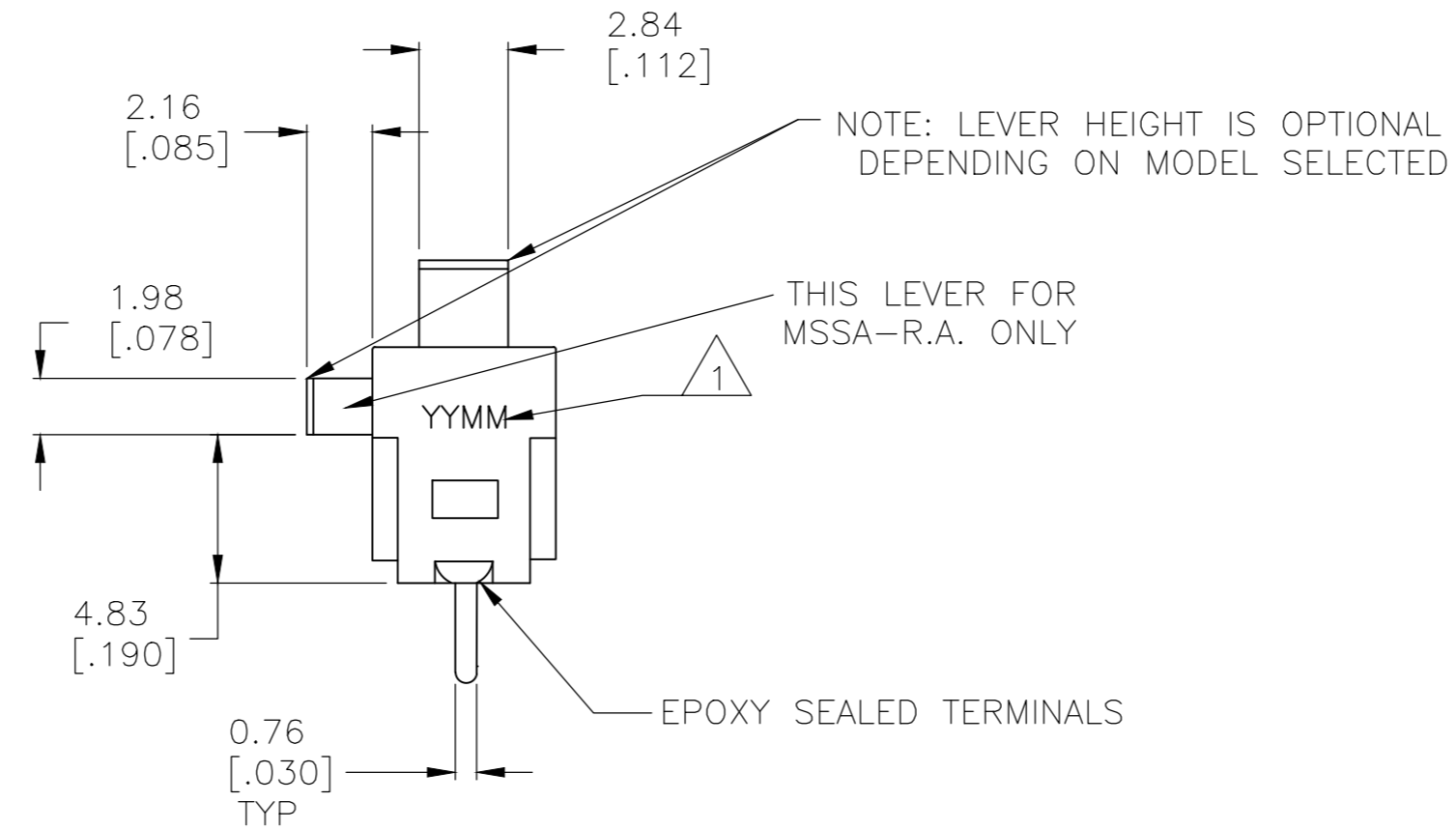
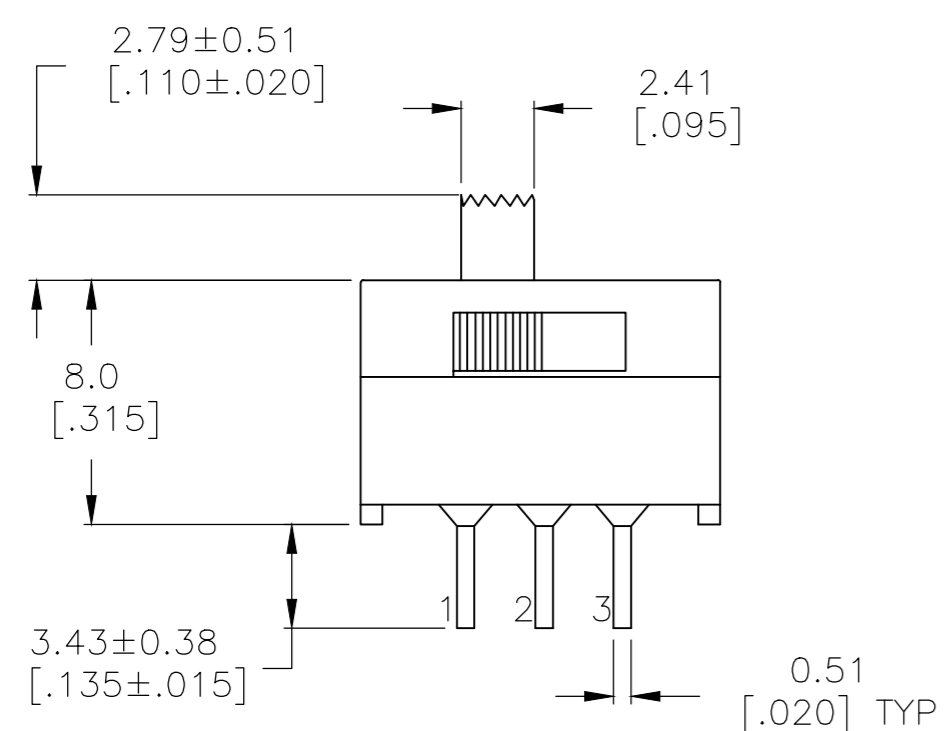
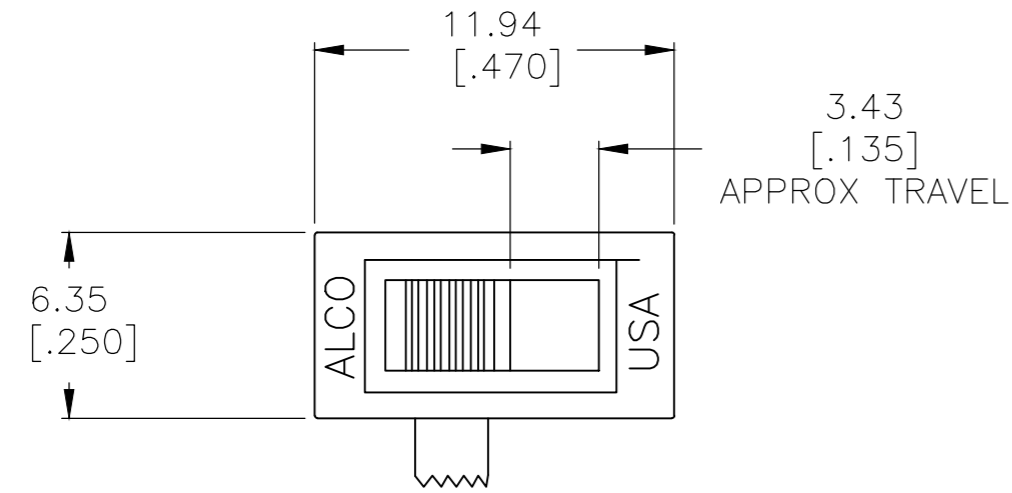


THIS DRAWING IS UNPUBLISHED. RELEASED FOR PUBLICATION
 © COPYRIGHT - By - ALL RIGHTS RESERVED.

REVISIONS					
P	LTR	DESCRIPTION	DATE	DWN	APVD
B5		REVISED PER ECO-16-018096	23MAY2017	RK	PO



SPECIFICATIONS:
 BREAK-BEFORE-MAKE

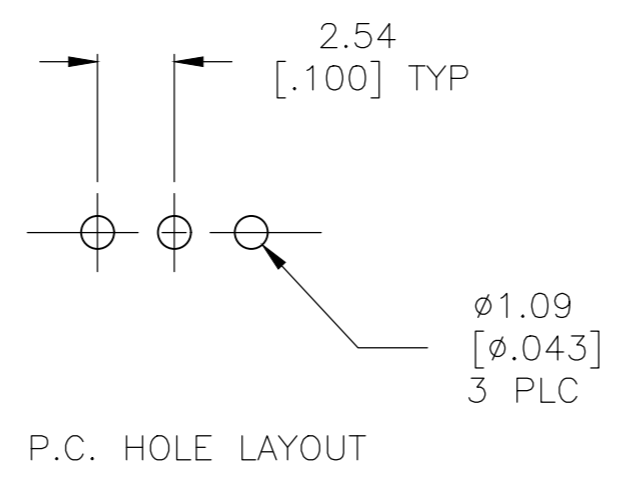
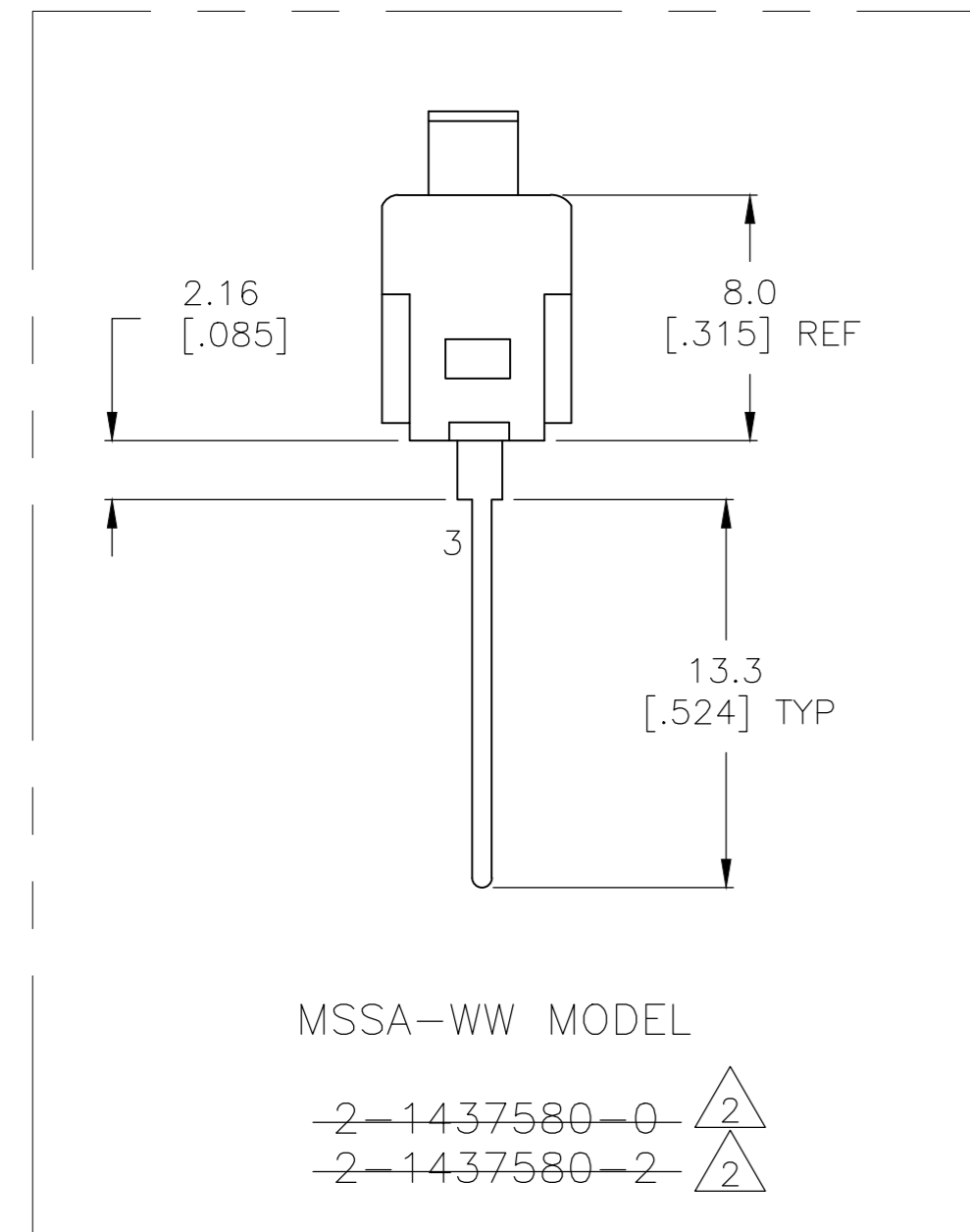
MATERIAL:
 SLIDER, GLASS FILLED NYLON, UL94-HB, BLACK.
 BASE, GLASS FILLED PBT, BLUE.
 COVER, GLASS FILLED PBT, BLUE.
 SLIDE PLATE, STAINLESS STEEL.
 ACTUATOR, PPS, BLACK.
 ROCKER CONTACT(GOLD), COPPER ALLOY, GOLD OVER NICKEL PLATING.
 ROCKER CONTACT(SILVER), COPPER ALLOY PLUS COINED SILVER.
 FIXED CONTACT/TERMINAL (GOLD), COPPER ALLOY, GOLD OVER NICKEL PLATE.
 FIXED CONTACT/TERMINAL(SILVER), COPPER ALLOY PLUS COINED SILVER, GOLD OVER NICKEL PLATE.

ELECTRICAL:
 CONTACT RATING(SILVER)- 3A@115V AC OR 1.5A@230V AC
 CONTACT RATING(GOLD)- .4VA MAX@20V DC OR PEAK AC
 INITIAL CONTACT RESISTANCE - 20 MILLIOHMS MAX.
 INSULATION RESISTANCE- 1000 MEGOHMS MIN @ 500V DC
 DIELECTRIC STRENGTH- 500 V RMS@SEA LEVEL.
 LIFE EXPECTANCY- 30,000 OPERATIONS.

MECHANICAL:
 OPERATING FORCE- 600±300 GRAMS.
 TRAVEL-.120

ENVIRONMENTAL:
 OPERATING TEMPERATURE- -20°C TO +65°C
 STORAGE TEMPERATURE- -40°C TO +100°C
 SOLDER HEAT RESISTANCE- PER 109-202, CONDITION B.
 SOLDERABILITY PER EIA 364-52, CLASS 2, CATAGORY 1.

- △1 DATE CODE MARKING YYMM (YEAR, MONTH).
- △2 OBSOLETE.



△1	2,1	OFF	2,3	SILVER	MSSA104E	2-1437580-6
△2	2,1	NONE	2,3	SILVER	MSSA104DRA	2-1437580-5
△2	2,1	NONE	2,3	SILVER	MSSA104D1	2-1437580-4
	2,1	NONE	2,3	SILVER	MSSA104D	2-1437580-3
△1	2,1	OFF	2,3	GOLD	MSSA101EGWW	2-1437580-2
△2	2,1	OFF	2,3	GOLD	MSSA101EGRA	2-1437580-1
△2	2,1	NONE	2,3	GOLD	MSSA101DGWW	2-1437580-0
	2,1	NONE	2,3	GOLD	MSSA101DGRA	1-1437580-9
△2	2,1	NONE	2,3	GOLD	MSSA101DG1	1-1437580-8
△2	2,1	NONE	2,3	GOLD	MSSA101DG	1-1437580-7

1	2	3	1	2	3	1	2	3	PLATING	ALCO PART NO.	PART NO.

DIMENSIONS:		TOLERANCES UNLESS OTHERWISE SPECIFIED:		DWN		CHK		APVD		NAME	
mm	[INCHES]	0 PLC	± -	23DEC80	ROBERT J. WINGROVE	30DEC80		05JAN81		TE Connectivity	
		1 PLC	± -							SLIDE SWITCH SP & SPRA	
		2 PLC	± -							-	
		3 PLC	± 0.25[.010]							SIZE	CAGE CODE
		4 PLC	± -							A2	00779
		ANGLES	± -							DRAWING NO	RESTRICTED TO
		FINISH	-							1-1437580-7	-
										SCALE	SHEET
										4:1	1 of 1
										REV	B5