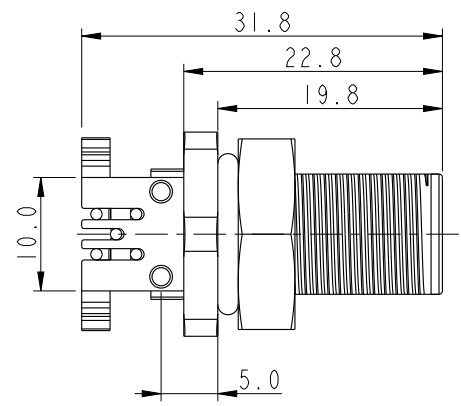
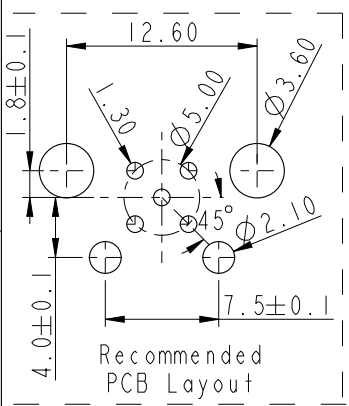
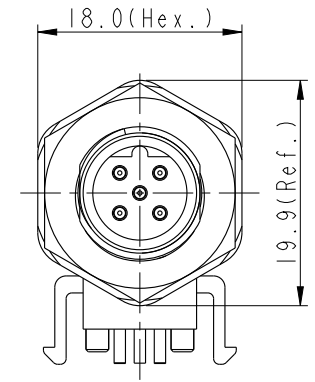
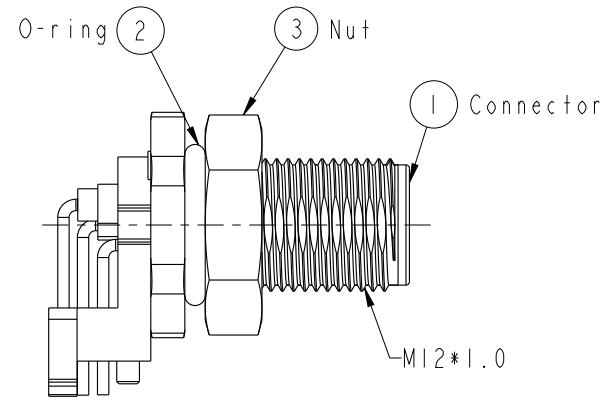
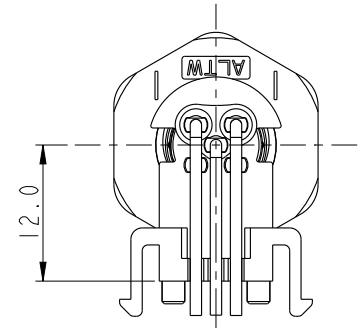


THIS DOCUMENT IS SUBJECT TO CHANGE WITHOUT NOTICE. IT IS CONFIDENTIAL AND A PROPERTY OF AMPHENOL LTW. DISCLOSURE TO THIRD PARTY HAS TO BE AUTHORIZED BY AMPHENOL LTW.

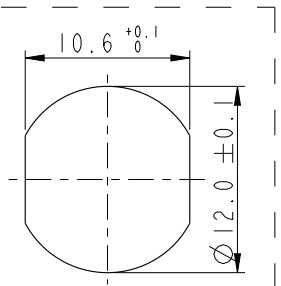
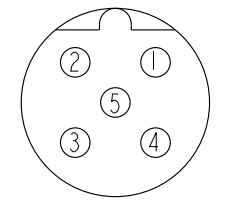
REV.	ECN NO.	DATE	SIGN	DESCRIPTION

ALTW
CONFIDENTIAL
2016-12-11
R&D DEPT.

ALTW
DCC. DEPT.
CONFIDENTIAL
2016.12.21
ISSUED



- Note:
- * \varnothing Important Dimension To Check.
 - * Waterproof Rate: IP68
IP68: IM Depth Of Water In 24hours
 - * Connector: Nylon+GF, Black
 - * Male Pin: Copper Alloy, Gold Plated
 - * Shell: Nylon+GF, Black
 - * Nut: Nylon+GF, Black
 - * O-ring: Silicon, Gray
 - * Boardlock: PBT+PC, Black
 - * For Panel Thickness Max. 4.0mm
 - * For PCB Thickness Max. 1.6mm



UNIT: mm

TOLERANCE	
.X	±0.25
.XX	±0.1
.XXX	±0.05
ANGLES	±1°

TITLE SENSOR, M12 BCODE, 90° PANEL 5PIN MCONN MPIN, PLASTIC			
SCALE 3:2	SIZE A4	SHEET 1 OF 1	
REV. A	WC-REV. A.1	⊙: Inspection item	

Amphenol LTW
安費諾亮泰企業股份有限公司

ITEM NO. MSBP-05PMMR-SF8003	DRAWN BY Yulong_wang	DATE 2016-12-11
DWG NO. MSBP-05PMMR-SF8003	CHECKED BY Jinhai	DATE 2016-12-11
CUSTOMER ALTW	APPROVED BY Jerry	DATE 2016-12-11

A B C D E F

2 3 4 5 6 7 8