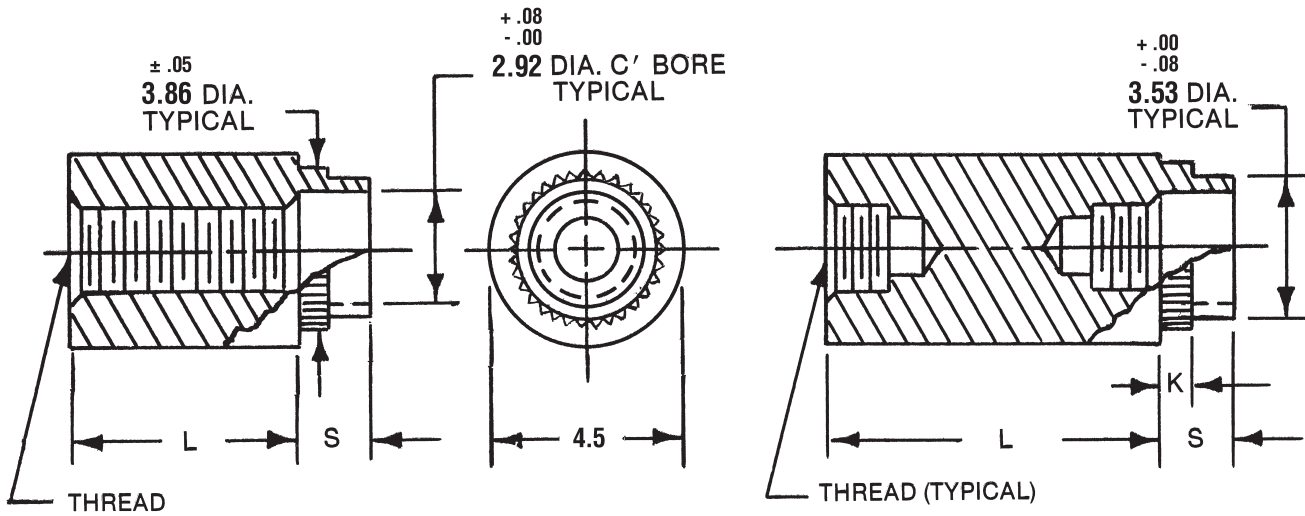


4.5mm ROUND PARTIAL KNURLED SWAGE STANDOFFS

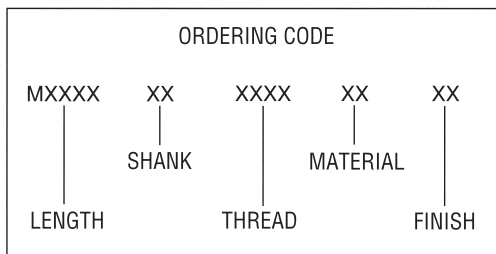


See page iv for installation information

L = STANDOFF LENGTH
 S = SHANK LENGTH
 P = BOARD THICKNESS

See page 7M for thread depth chart
 See page 6M for finish codes
 For non-standard parts contact Sales Office

| SWAGE TOOLING | | |
|---------------|-------|--------|
| PUNCH | ANVIL | LENGTH |
| P3 | AR-70 | 3-5 |
| | AR-71 | 6-12 |
| | AR-72 | 13-18 |
| | AR-73 | 19-25 |



| SWAGE/PANEL CODE | | | |
|------------------|---|-----|-----|
| ± .08 | S | P | K |
| 1.9 | A | .8 | .8 |
| 2.7 | B | 1.6 | 1.6 |
| 3.4 | C | 2.4 | 2.4 |
| 4.2 | D | 3.2 | 3.2 |

| LENGTH | PART NO. |
|--------|----------|
| 3 | M1650 |
| 4 | M1651 |
| 5 | M1652 |
| 6 | M1653 |
| 7 | M1654 |
| 8 | M1655 |
| 9 | M1656 |
| 10 | M1657 |
| 11 | M1658 |
| 12 | M1659 |
| 13 | M1660 |
| 14 | M1661 |

| LENGTH | PART NO. |
|--------|----------|
| 15 | M1662 |
| 16 | M1663 |
| 17 | M1664 |
| 18 | M1665 |
| 19 | M1666 |
| 20 | M1667 |
| 21 | M1668 |
| 22 | M1669 |
| 23 | M1670 |
| 24 | M1671 |
| 25 | M1672 |

| THREAD | CODE |
|-----------|------|
| M2.5x0.45 | 2545 |
| M3x0.5 | 3005 |

| MATERIAL | CODE | RoHS |
|-----------------|------|------|
| Aluminum | AL | YES |
| Brass | B | YES |
| Stainless Steel | SS | YES |
| Steel | S | YES |