

6

5

4

3

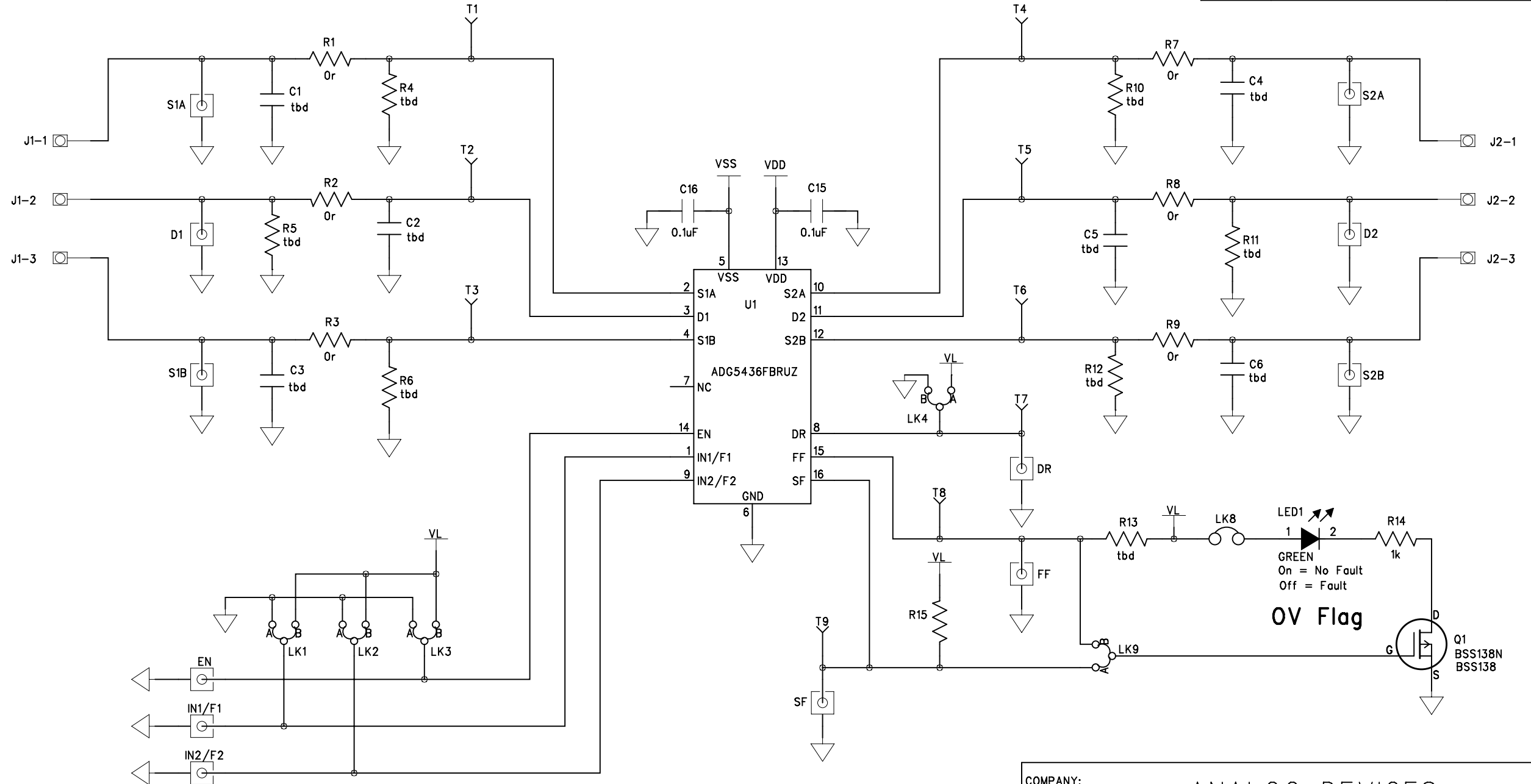
2

1

REVISION RECORD			
LTR	ECO NO:	APPROVED:	DATE:

3 Pin Terminal Block (5mm Pitch)

3 Pin Terminal Block (5mm Pitch)



D

D

C

C

B

B

A

A

COMPANY: ANALOG DEVICES			
TITLE: ADG5436F Evaluation Board			
DRAWN: <Drawn By>	DATED: <Drawn Date>	CODE:	SIZE:
CHECKED: <Checked By>	DATED: <Checked Date>	DRAWING NO:	
QUALITY CONTROL: <QC By>	DATED: <QC Date>	<Code>	A3
RELEASED: <Released By>	DATED: <Release Date>	EVAL-ADG5436FEBZ A	
SCALE: <Scale>			SHEET: 1 OF 2

6

5

4

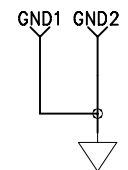
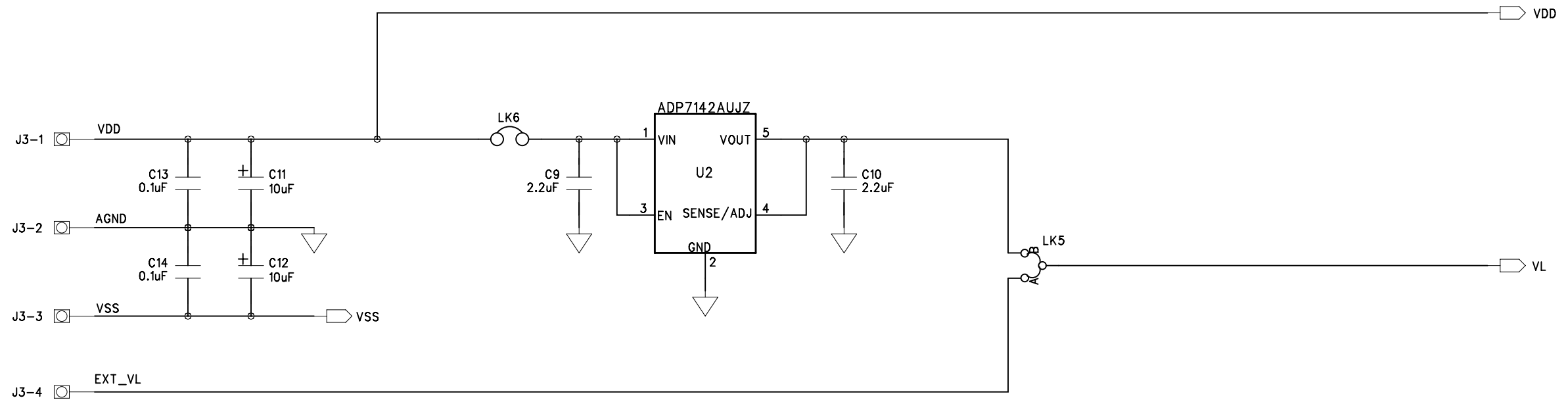
3

2

1

REVISION RECORD			
LTR	ECO NO:	APPROVED:	DATE:

4 Pin Terminal Block (5mm Pitch)



COMPANY: ANALOG DEVICES

TITLE: ADG5436F Evaluation Board

DRAWN: <Drawn By>	DATED: <Drawn Date>
CHECKED: <Checked By>	DATED: <Checked Date>
QUALITY CONTROL: <QC By>	DATED: <QC Date>
RELEASED: <Released By>	DATED: <Release Date>

CODE:	SIZE:	DRAWING NO:	REV:
<Code>	A3	EVAL-ADG5436FEBZ	A

SCALE: <Scale> SHEET: 2 OF 2

D

C

B

A

D

C

B

A