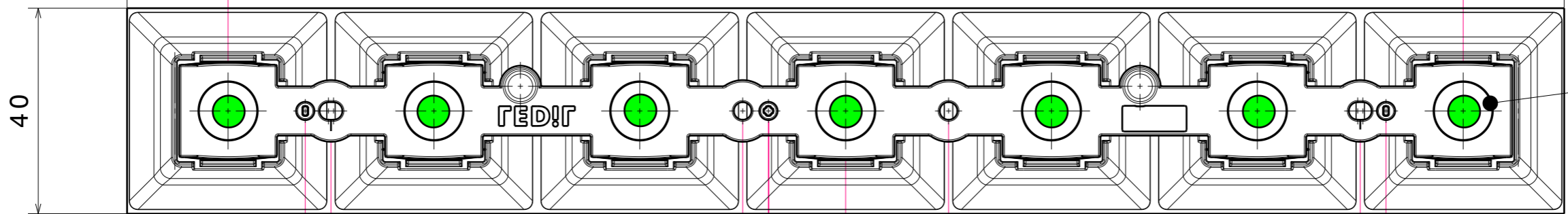


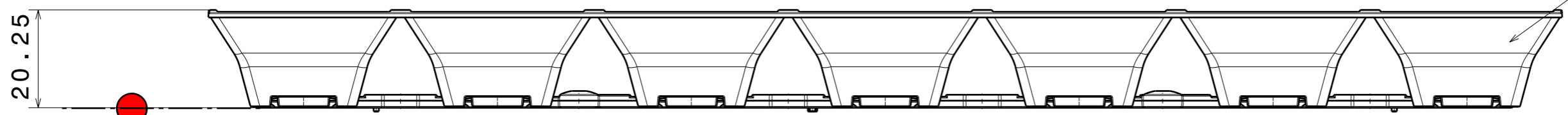
H G F E D C B A

279.25

6x40=240



1



2

20.25

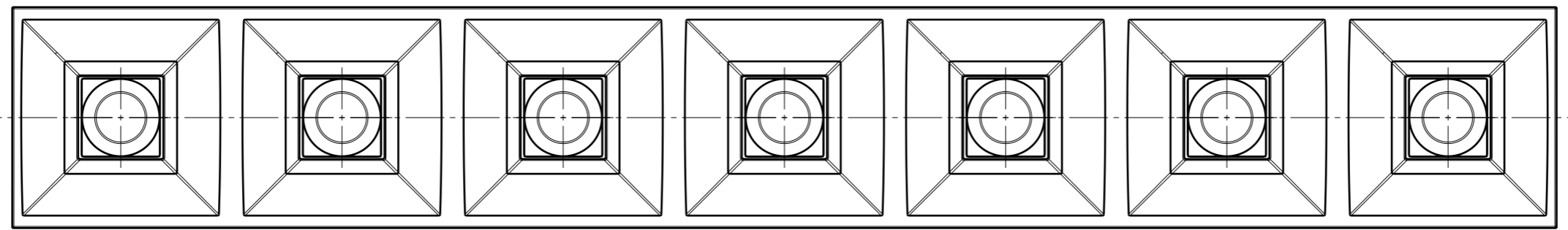
90  
85

5

15

35

115  
120



CN17370\_DAISSY-7X1-W2-WHT-D

**COMPONENTS**

INDEX	PART	TYPE	MATERIAL	COLOR / COATING
1	C17363_DAISSY-7X1-W2-D	LENS	PMMA	Milky
2	C16876_DAISSY-7x1-SHD-WHT	SHADE	PC	White

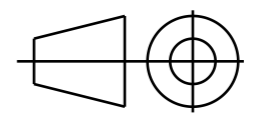
**MECHANICAL DRAWING**

PRODUCT **DAISSY**

**LEDiL**<sup>®</sup>

Plastic moulding general tolerances according to DIN 16901-130 and applies if not otherwise shown in the drawing. Silicone moulding general tolerances according to ISO 3302-1 Class M3 and applies if not otherwise shown in the drawing.

FIRST ANGLE PROJECTION:



This drawing is the property of LEDiL Oy. It may not be copied or otherwise distributed without prior written permission from LEDiL Oy.

SCALE 1:1

WEIGHT 48,1 g

A3 SHEET 1/1

**Notes**

- PCB or heatsink level.
- LED location
- Ensure LED fitting from a product specific 3D model available from [www.ledil.com](http://www.ledil.com)
- For more details about installation please see LEDiL Installation Guide on [www.ledil.com](http://www.ledil.com)

H G B A