

D

C

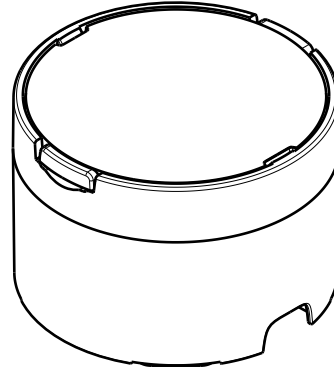
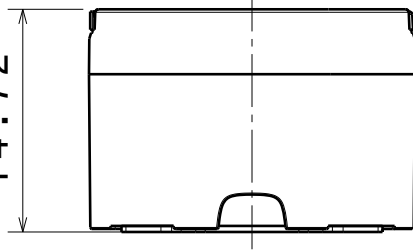
B

A

4

4

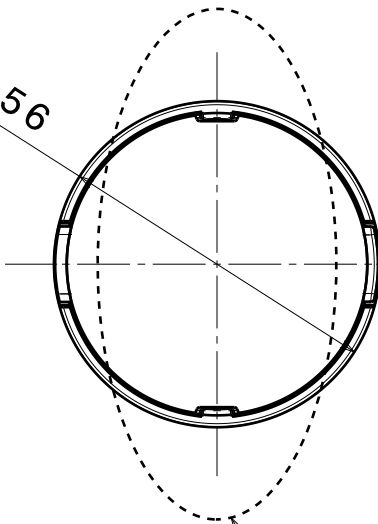
14.72



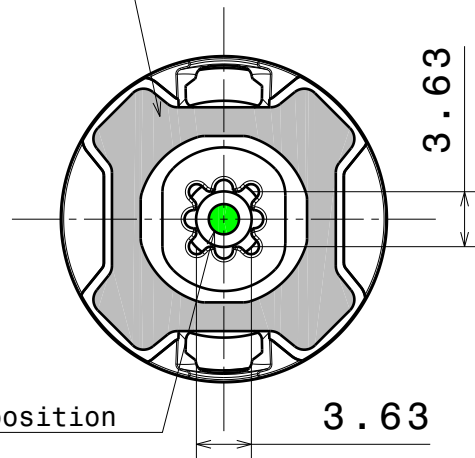
3

3

PU foam tape 0.4mm

 $\varnothing 21.56$


3.63



LED middle position

3.63

2

2

Oval beam direction

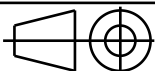
INDEX	PART NO	DESCRIPTION	MATERIAL	COLOUR
1	C12339	LXP2-0-90	PMMA	
2	C12020	LXP2-LH1-TAPE-WHT	PC	black

Tolerances if not otherwise shown
According to DIN ISO 2768-1
Linear measures:
up to 30mm class M, otherwise class C
According to DIN ISO 2768-2
Form and position: class L

LEDiL

Ledil Oy
Salorankatu 10
FIN 24240 SALO
Finland

THIRD ANGLE PROJECTION:



DRAWING TITLE

CA12874_LXP2-0-90

This drawing is the property
of LEDiL Oy. It may not be
reproduced, copied or
communicated without a written
agreement with LEDiL Oy.

SIZE PART NUMBER

A4

CA12874

1

1

SCALE	1:1	WEIGHT	4,7 g	SHEET	1/1
-------	-----	--------	-------	-------	-----

D

A