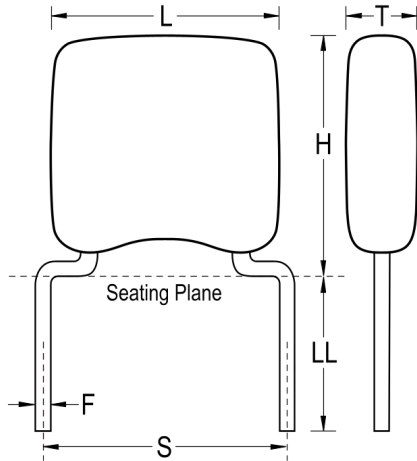


## C350C685Z5U5TA

GoldMax 300 Comm Z5U, Ceramic, 6.8 uF, -20/+80%, 50 VDC, Z5U, GoldMax, Commercial Standard, Lead Spacing = 10.16mm



Click [here](#) for the 3D model.

### Dimensions

L	8.38mm MAX
H	10.16mm MAX
T	5.08mm MAX
S	10.16mm +/-0.78mm
LL	7mm MIN
F	0.64mm +0.1/-0.025mm

### Packaging Specifications

Packaging	Bulk, Bag
Packaging Quantity	50

### General Information

Series	GoldMax 300 Comm Z5U
Style	Radial
Description	GoldMax, Commercial Standard
RoHS	Yes
Termination	Tin
Failure Rate	N/A
AEC-Q200	No
Halogen Free	Yes

### Specifications

Capacitance	6.8 uF
Measurement Condition	1 kHz 1.0Vrms
Capacitance Tolerance	-20/+80%
Voltage DC	50 VDC
Dielectric Withstanding Voltage	125 VDC
Temperature Range	+10/+85°C
Temperature Coefficient	Z5U
Capacitance Change with Reference to +25°C and 0 VDC Applied (TCC)	+22%/-56%, 1kHz 1.0Vrms
Dissipation Factor	4% 1kHz 1.0Vrms
Aging Rate	7% Loss/Decade Hour
Insulation Resistance	10 MOhms

Statements of suitability for certain applications are based on our knowledge of typical operating conditions for such applications, but are not intended to constitute - and we specifically disclaim - any warranty concerning suitability for a specific customer application or use. This Information is intended for use only by customers who have the requisite experience and capability to determine the correct products for their application. Any technical advice inferred from this Information or otherwise provided by us with reference to the use of our products is given gratis, and we assume no obligation or liability for the advice given or results obtained.