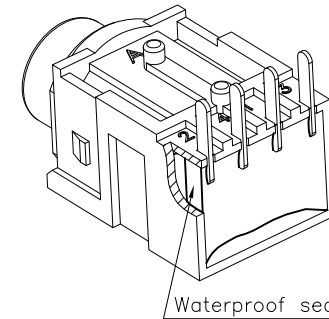
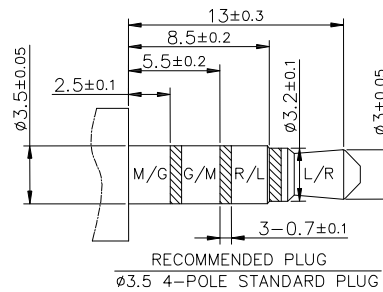
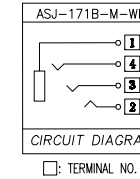
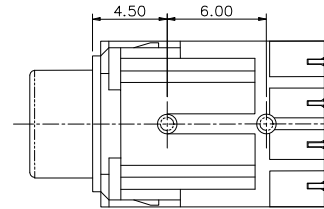
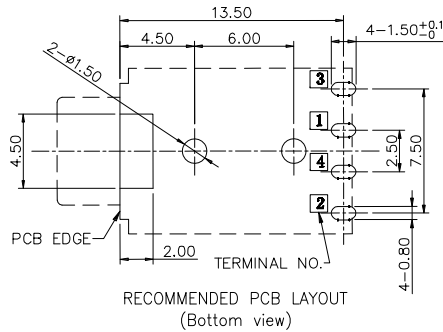
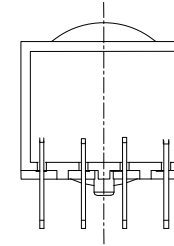
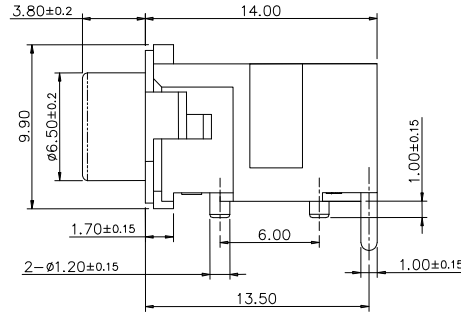
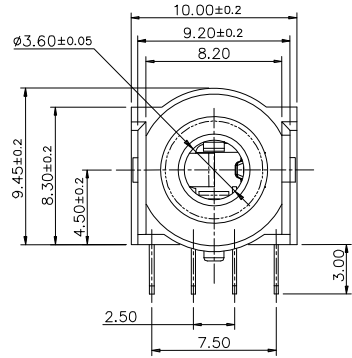


APPROVED: _____
 DATE: _____ TITLE: _____

Rev	AWO #	Description	Date	Appr
-		RELEASED	4/2/19	
A		ADDED SHAPE	4/23/19	OW/AC
B		CHANGED TITLE	12/2/19	SS



SPECIFICATIONS:

Material:
 Insulator: PBT, rated UL 94V-0, color: Black
 Cover: PA66, rated UL 94V-HB, color: Black
 Contacts: Phosphor Bronze
 Electrical:
 Rating: 30VDC, 0.5A
 Contact Resistance: 30 mohm max.
 Insulation Resistance: 100 Mohm min. @ 500 VDC
 Dielectric withstanding voltage: 500 VAC
 Temperature Rating:
 Operating temperature: -20°C to +70°C
 Environmental:
 Waterproof Resistant
 Lead free, RoHS compliant.



UNLESS OTHERWISE SPECIFIED ALL DIMENSIONS ARE MILLIMETERS TOLERANCES: EXCEPT AS NOTED		
MM	ANGLES	
.X ± 0.38	X ± 5°	
.XX ± 0.30	.X ± 3°	
.XXX ± 0.15	.XX ± 2°	
APPROVALS		DATE
DRAWN	OW	4/2/19
CHECKED	AC	4/2/19
APPROVED		

ADAM TECH INTERCONNECTS		909 Rahway Avenue, Union, NJ 07083 Phone: 908-687-5000 Fax: 908-687-5710	
TITLE STEREO JACK, 3.5mm, WATER RESISTANT			
SIZE X	PART NO. ASJ-171B-M-WP	REV. B	
REF: S00002C	SCALE: NTS	SHEET 1 OF 1	