

THIS DRAWING IS THE PROPERTY OF ANALOG DEVICES INC. IT IS NOT TO BE REPRODUCED OR COPIED, IN WHOLE OR IN PART, OR USED IN FURNISHING INFORMATION TO OTHERS, OR FOR ANY OTHER PURPOSE DETRIMENTAL TO THE INTERESTS OF ANALOG DEVICES. THE EQUIPMENT SHOWN HEREON MAY BE PROTECTED BY PATENTS OWNED OR CONTROLLED BY ANALOG DEVICES.

JUMPER TABLE

JP#	ON	OFF
1		
2		
3		
4		
5		

REVISIONS

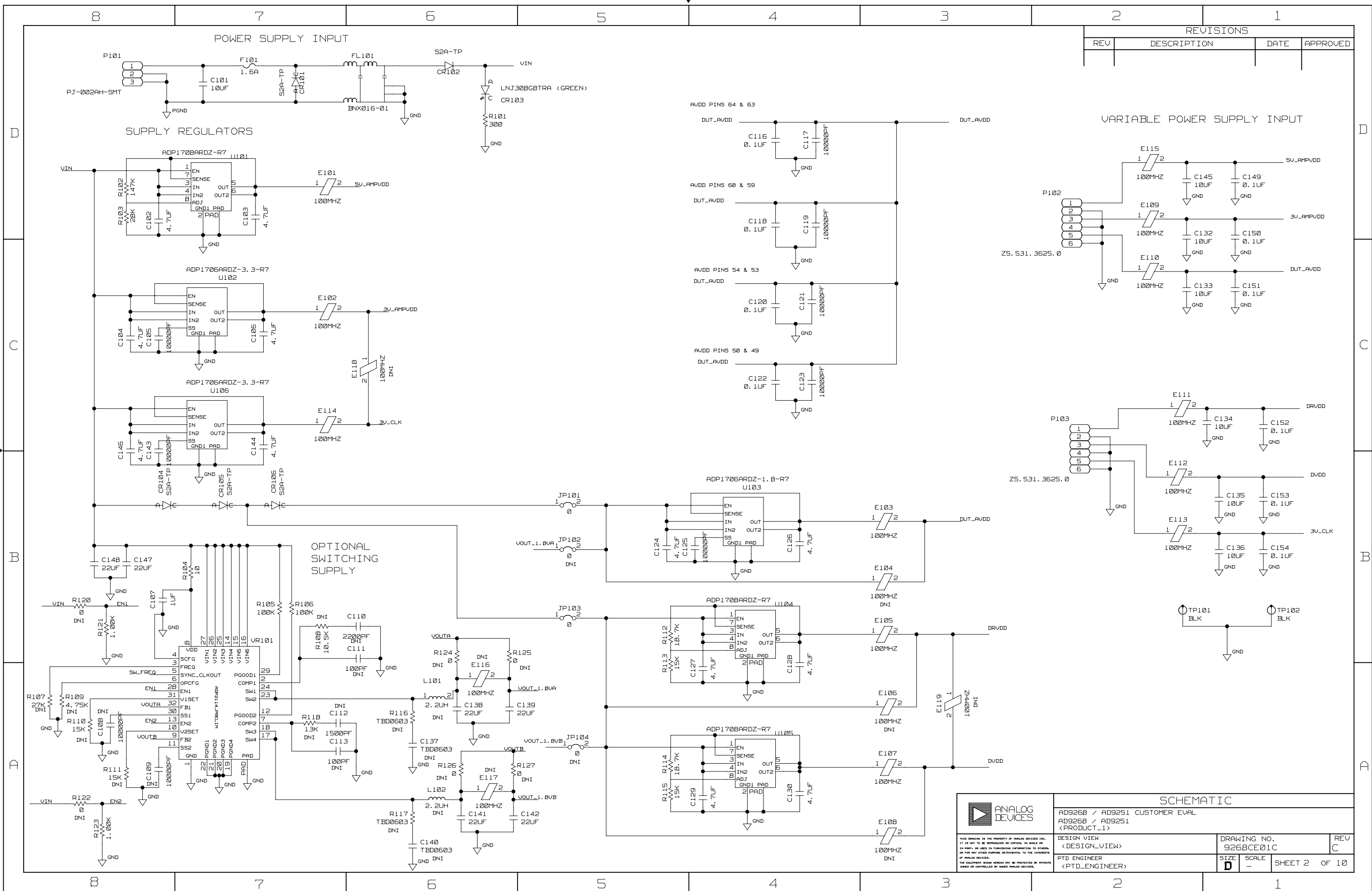
REV	DESCRIPTION	DATE	APPROVED
-----	-------------	------	----------

RELAY CONTROL CHART

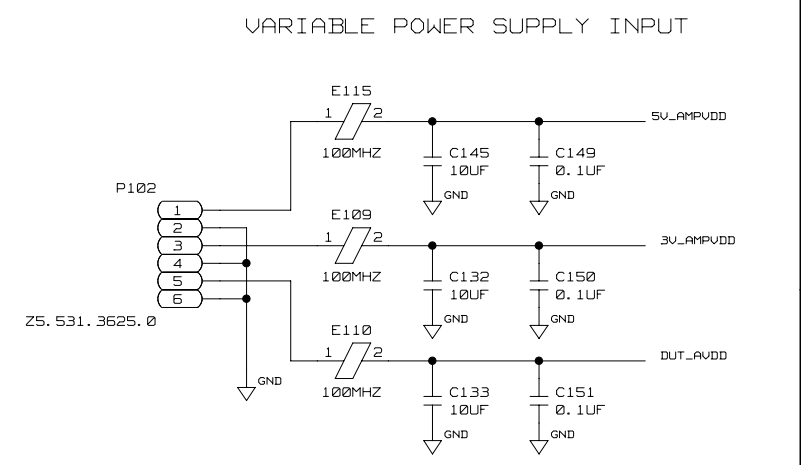
CONTROL	CODE	DEVICE	FUNCTION	CONNECTOR
---------	------	--------	----------	-----------

* SEE ASSEMBLY INSTRUCTIONS

TEMPLATE ENGINEER <TEMPLATE_ENGINEER>	DATE	<h1>SCHEMATIC</h1>			
HARDWARE SERVICES <HARDWARE_SERVICES>					
HARDWARE SYSTEMS <HARDWARE_SYSTEMS>		AD9268 / AD9251 CUSTOMER EVAL			
TEST ENGINEER <TEST_ENGINEER>		AD9268 / AD9251			
COMPONENT ENGINEER <COMPONENT_ENGINEER>		<PRODUCT_1>			
TEST PROCESS <TEST_PROCESS>		<DRAWING_TITLE1>			
HARDWARE RELEASE <HARDWARE_RELEASE>		<DRAWING_TITLE2>			
DESIGNER <DESIGNER>		<DRAWING_TITLE3>			
PTD ENGINEER <PTD_ENGINEER>		<DRAWING_TITLE4>			
CHECKER <CHECKER>		<DRAWING_TITLE5>			
MASTER PROJECT TEMPLATE <DRAWING_TITLE5>XTESTER		DRAWING NO. 9268CE01C		REV. C	
UNLESS OTHERWISE SPECIFIED DIMENSIONS ARE IN INCHES		TOLERANCES		SIZE SCALE CODE ID NO.	
DECIMALS FRACTIONS ANGLES		X.XX +0.010 +-1/32 +-2		D - -	
		SHEET 1		OF 10	



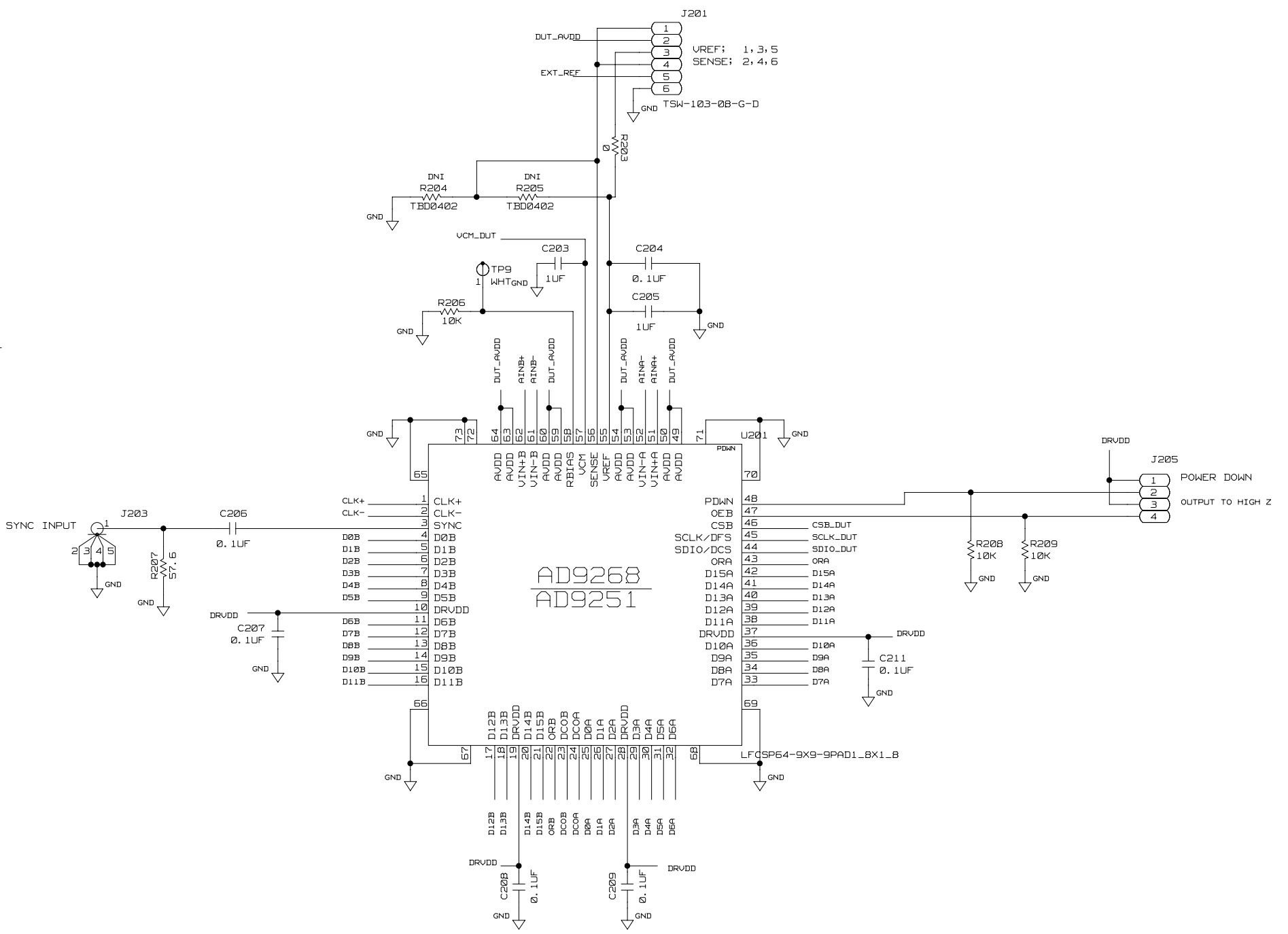
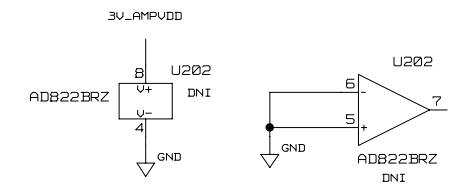
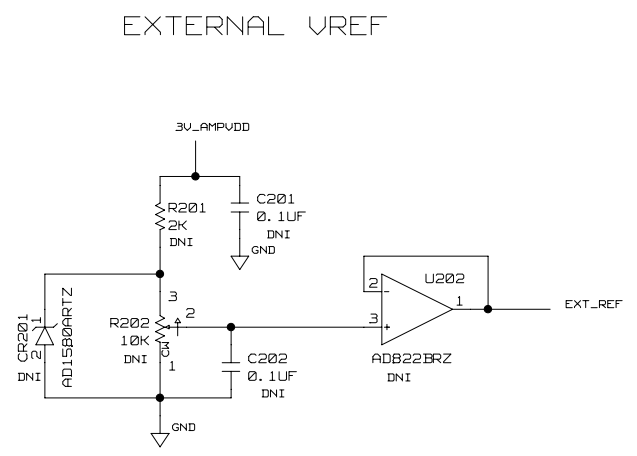
REVISIONS			
REV	DESCRIPTION	DATE	APPROVED



SCHEMATIC			
ANALOG DEVICES		AD9268 / AD9251 CUSTOMER EVAL	
DESIGN VIEW		DRAWING NO. 9268CE01C	
PTD_ENGINEER		SIZE D	SCALE -
PTD_ENGINEER		SHEET 2 OF 10	
REV C		REV C	

THIS DOCUMENT IS THE PROPERTY OF ANALOG DEVICES INC. IT IS NOT TO BE REPRODUCED OR COPIED, IN WHOLE OR IN PART, OR USED IN ANY MANNER WITHOUT THE WRITTEN PERMISSION OF ANALOG DEVICES. THE EQUIPMENT DESIGN HEREIN MAY BE PROTECTED BY PATENTS OWNED OR CONTROLLED BY ANALOG DEVICES.

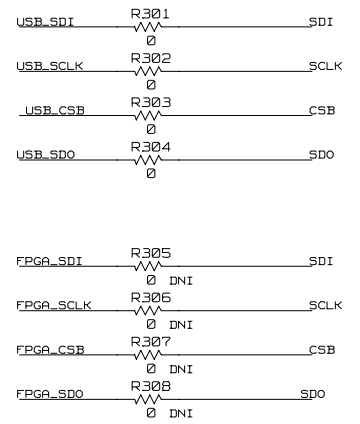
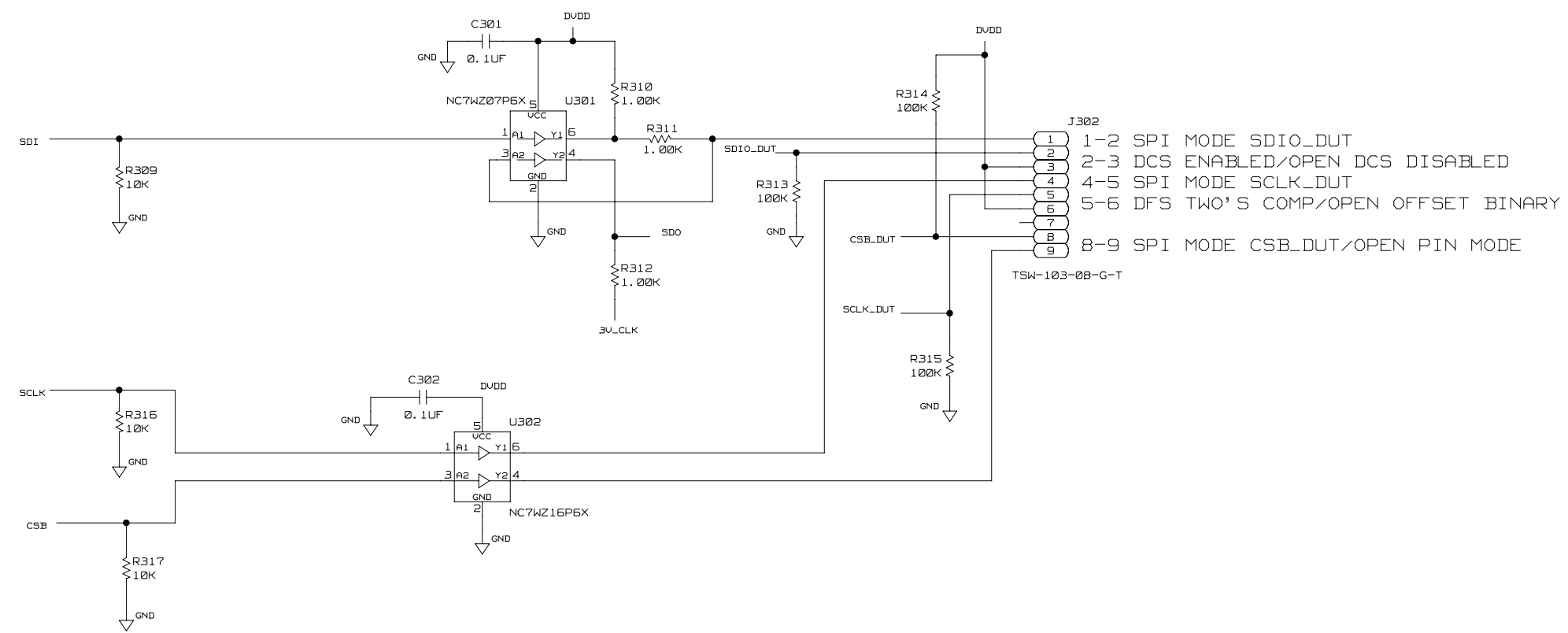
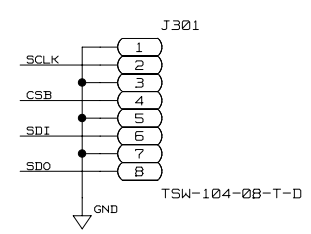
REVISIONS			
REV	DESCRIPTION	DATE	APPROVED



	SCHEMATIC		
	AD9268 / AD9251 CUSTOMER EVAL		
	AD9268 / AD9251 <PRODUCT_1>		
DESIGN VIEW <DESIGN_VIEW>	DRAWING NO. 9268CE01C	REV C	
PTD ENGINEER <PTD_ENGINEER>	SIZE D	SCALE -	SHEET 3 OF 10

SPI CIRCUITRY

REVISIONS			
REV	DESCRIPTION	DATE	APPROVED

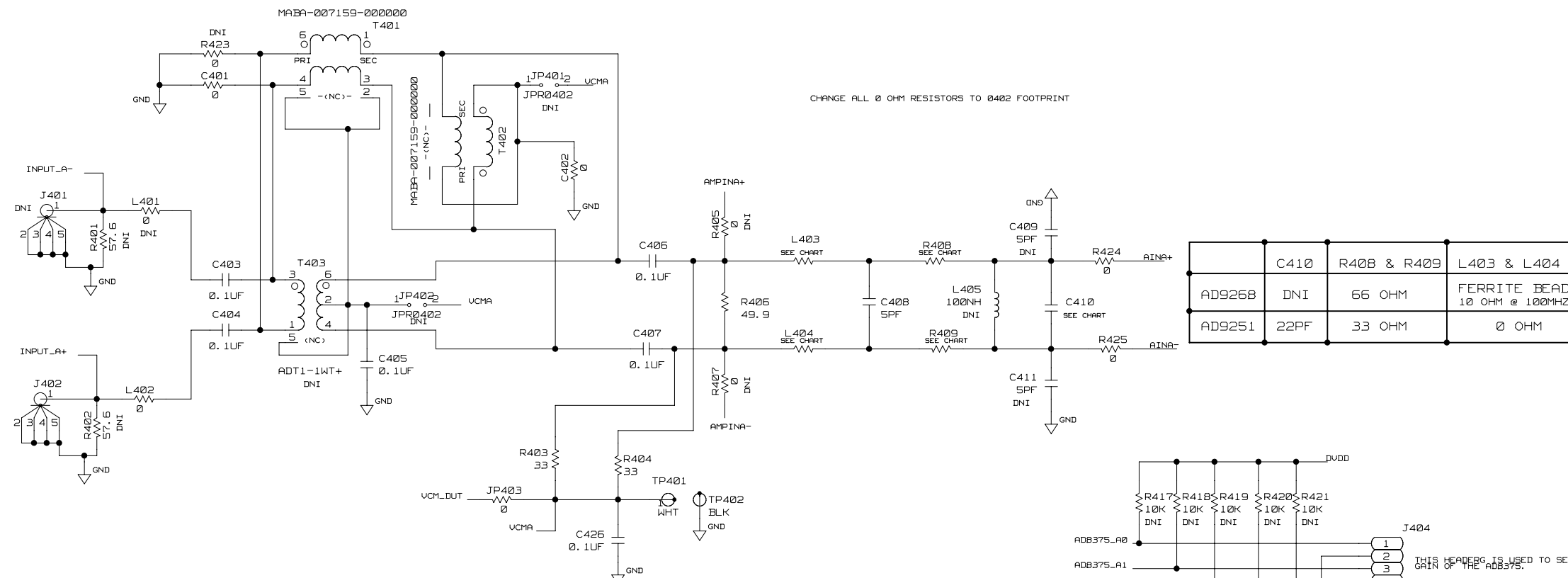


- J302
- 1-2 SPI MODE SDIO_DUT
 - 2-3 DCS ENABLED/OPEN DCS DISABLED
 - 4-5 SPI MODE SCLK_DUT
 - 5-6 DFS TWO'S COMP/OPEN OFFSET BINARY
 - 8-9 SPI MODE CSB_DUT/OPEN PIN MODE
- TSW-103-08-G-T

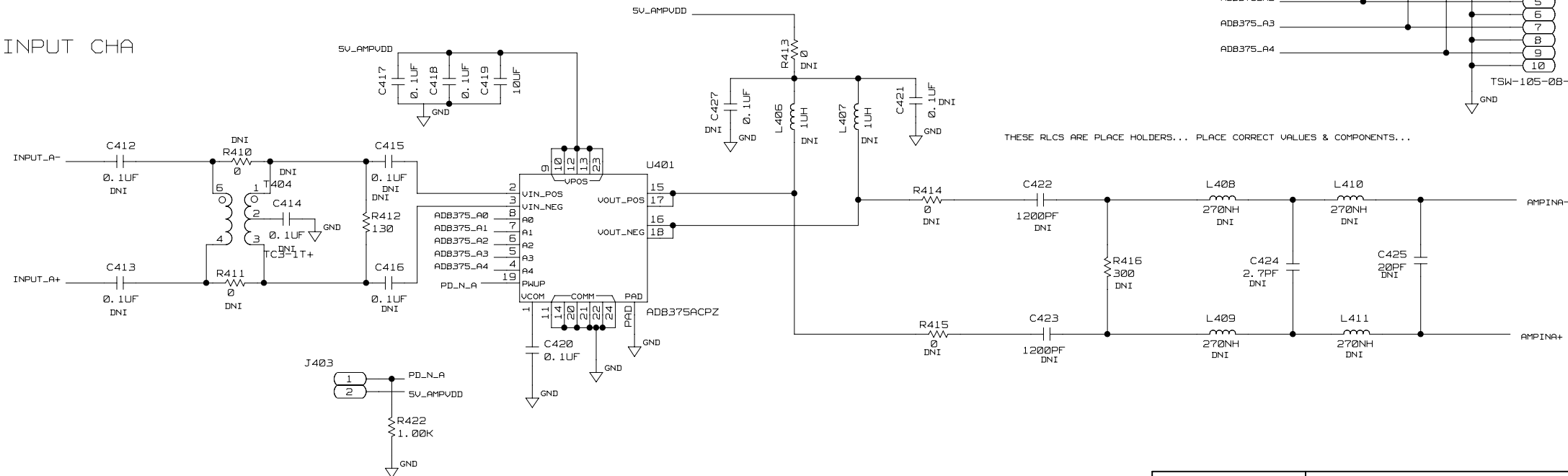
	SCHEMATIC		
	AD9268 / AD9251 CUSTOMER EVAL		
	AD9268 / AD9251 <PRODUCT_1>		
DESIGN VIEW <DESIGN_VIEW>	DRAWING NO. 9268CE01C	REV C	
PTD ENGINEER <PTD_ENGINEER>	SIZE D	SCALE -	SHEET 4 OF 10

REVISIONS			
REV	DESCRIPTION	DATE	APPROVED

DEFAULT ANALOG INPUT CIRCUITRY CHA



OPTIONAL ANALOG INPUT CHA

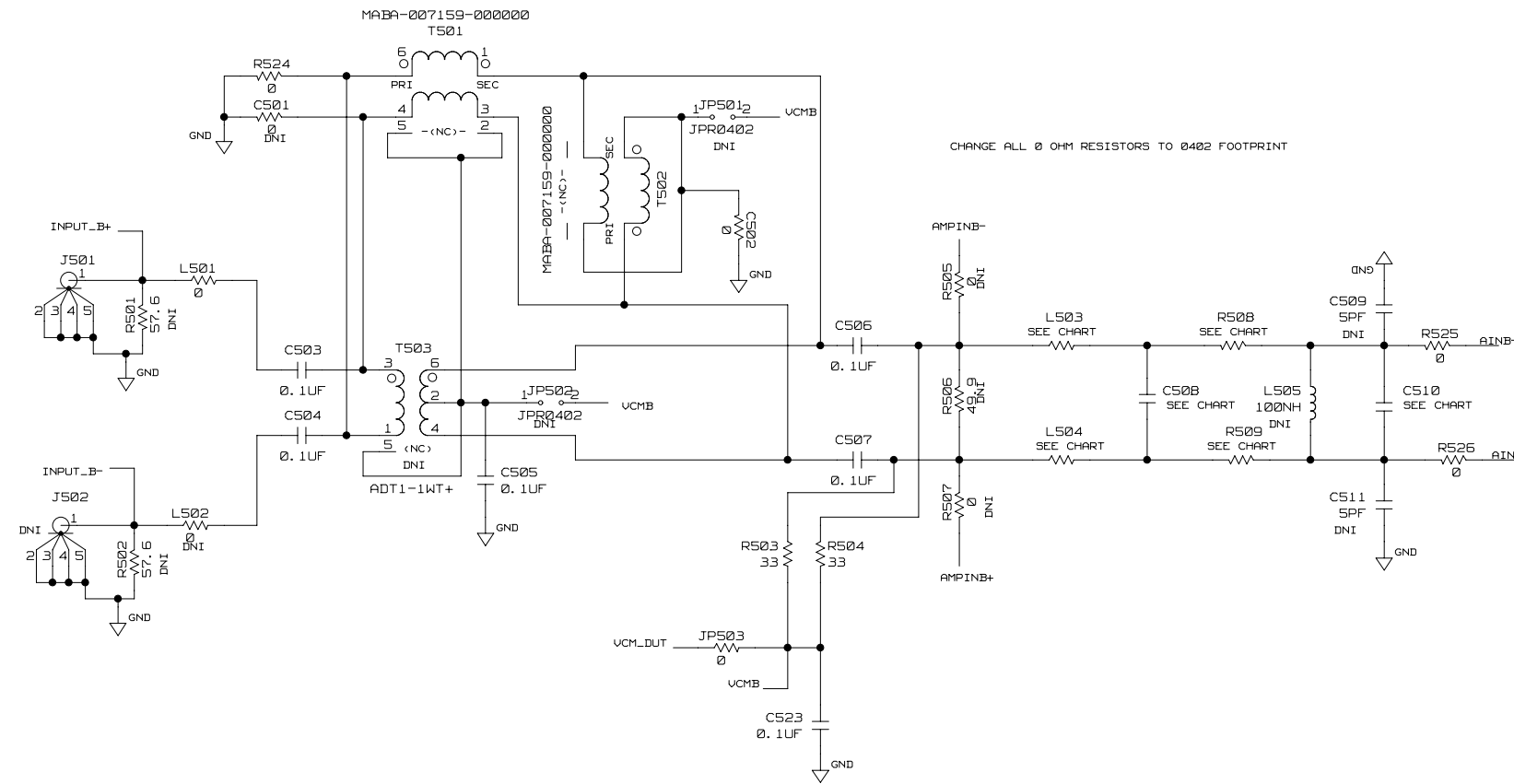


	SCHEMATIC		
	AD9268 / AD9251 CUSTOMER EVAL		
DESIGN VIEW <DESIGN_VIEW>	DRAWING NO. 9268CE01C	REV C	
PTD ENGINEER <PTD_ENGINEER>	SIZE D	SCALE -	SHEET 5 OF 10

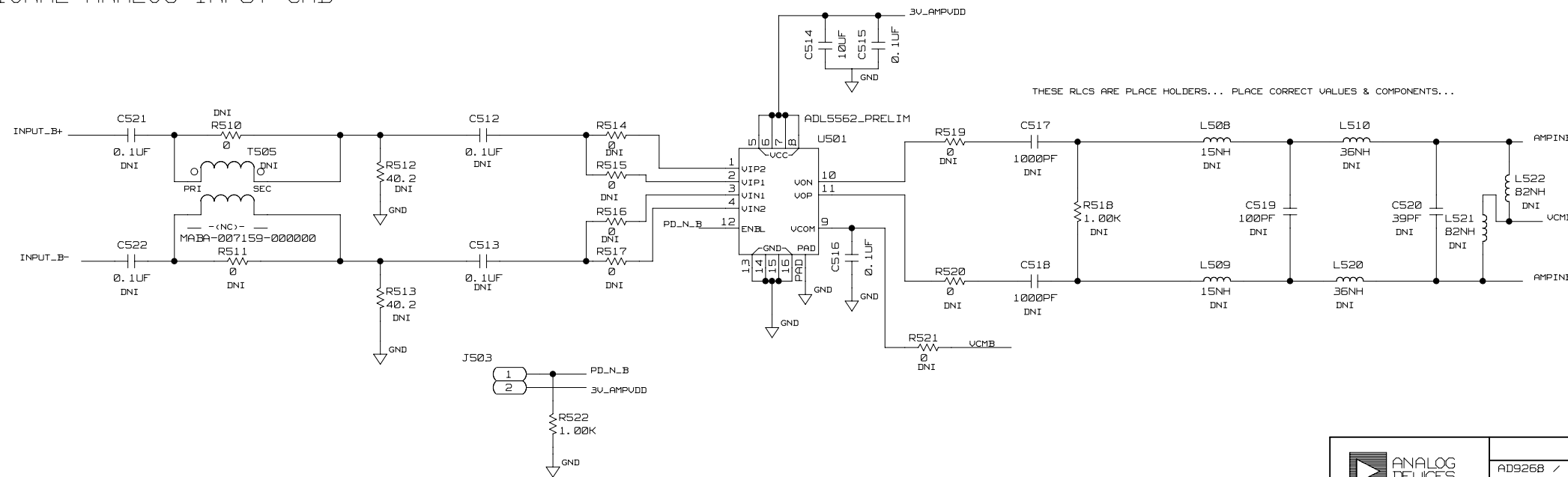
REVISIONS


REV	DESCRIPTION	DATE	APPROVED

DEFAULT ANALOG INPUT CIRCUITRY CHB

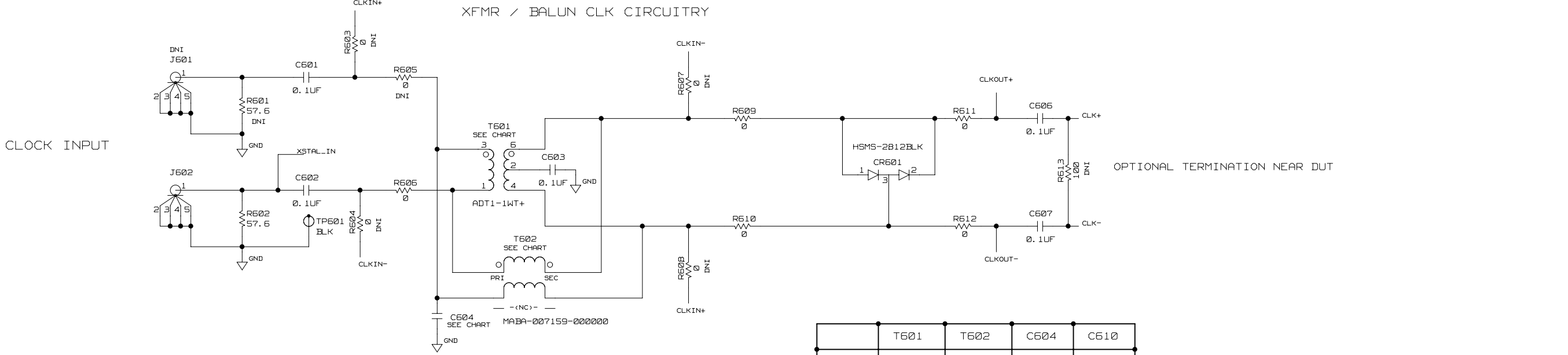


OPTIONAL ANALOG INPUT CHB

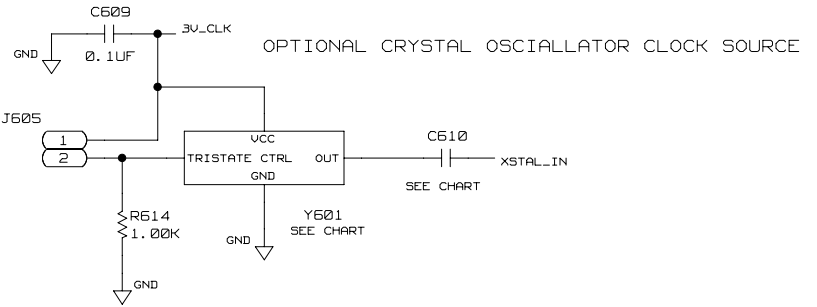


	SCHEMATIC		
	AD9268 / AD9251 CUSTOMER EVAL		
DESIGN VIEW <DESIGN_VIEW>	DRAWING NO. 9268CE01C	REV C	
PTD ENGINEER <PTD_ENGINEER>	SIZE D	SCALE -	SHEET 6 OF 10

REVISIONS			
REV	DESCRIPTION	DATE	APPROVED



	T501	T502	C504	C510
AD9268	DNI	INSTALL	100PF	DNI
AD9251	INSTALL	DNI	0 OHM	0.1UF



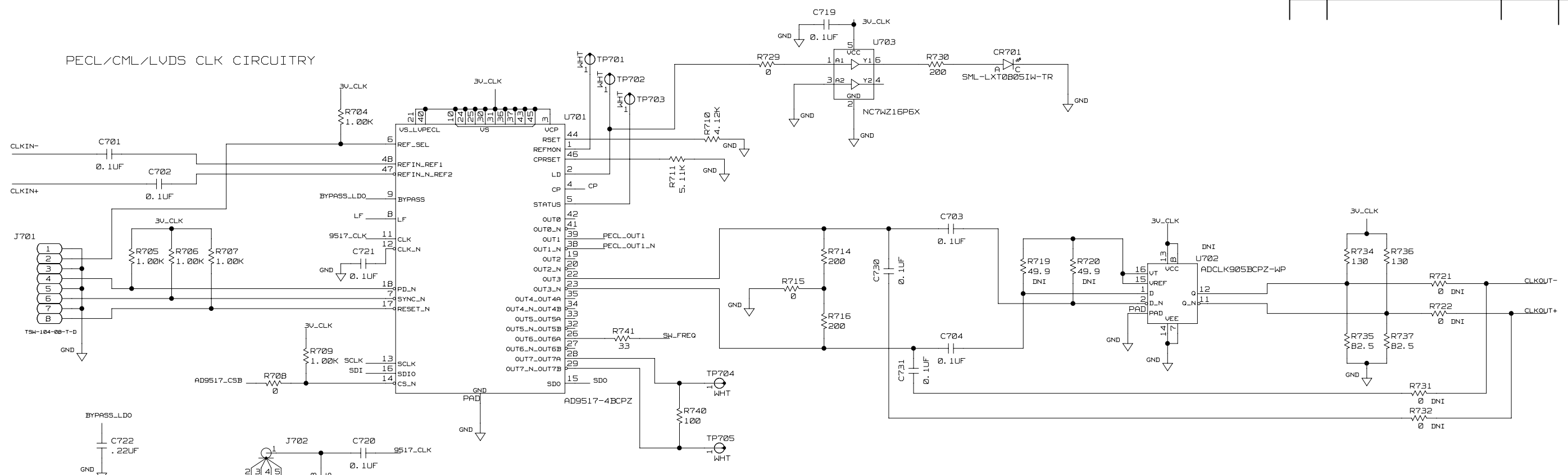
CRYSTAL Y601 TO MATCH PRODUCT SPEED GRADE
(X - AVAILABLE SPEED GRADE)

	20MHZ	40MHZ	65MHZ	80MHZ	105MHZ	125MHZ
AD9204	X	X	X	X		
AD9231	X	X	X	X		
AD9251	X	X	X	X		
AD9269	X	X	X	X		
AD9268				X	X	X
AD9258				X	X	X
AD6659				X		
AD6658				X	X	X

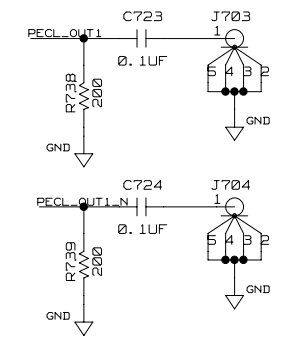
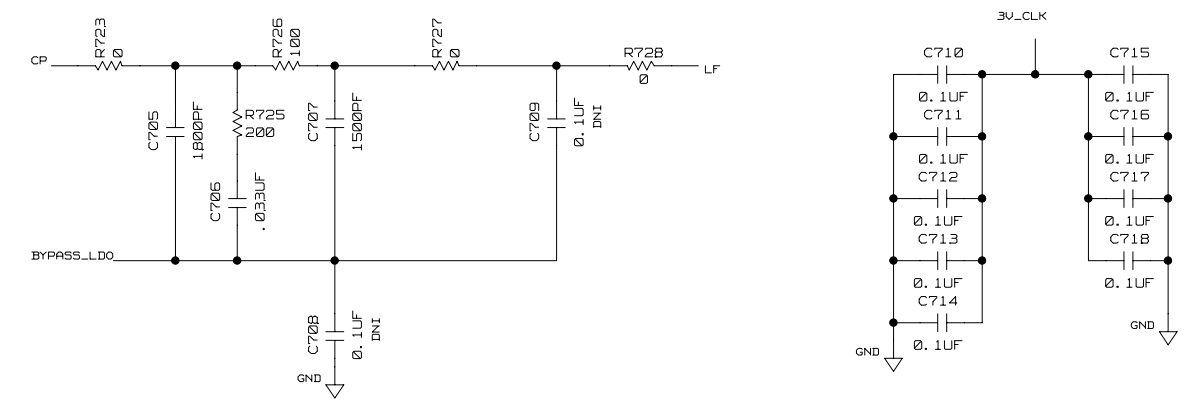
	SCHEMATIC		
	AD9268 / AD9251 CUSTOMER EVAL		
	AD9268 / AD9251		
	<PRODUCT_1>		
DESIGN VIEW	DRAWING NO.	REV	
<DESIGN_VIEW>	9268CE01C	C	
PTD ENGINEER	SIZE	SCALE	SHEET 7 OF 10
<PTD_ENGINEER>	D	-	

REVISIONS			
REV	DESCRIPTION	DATE	APPROVED

PECL/CML/LVDS CLK CIRCUITRY



CHARGE PUMP FILTER



	SCHEMATIC		
	AD9268 / AD9251 CUSTOMER EVAL		
	AD9268 / AD9251		
	<PRODUCT_1>		
DESIGN VIEW	DRAWING NO.	REV	
<DESIGN_VIEW>	9268CE01C	C	
PTD ENGINEER	SIZE	SCALE	SHEET B OF 10
<PTD_ENGINEER>	D	-	

THIS DRAWING IS THE PROPERTY OF ANALOG DEVICES INC. IT IS NOT TO BE REPRODUCED OR COPIED, IN WHOLE OR IN PART, OR USED IN ANY MANNER TO REPRODUCE OR TO CONVEY, OR FOR ANY OTHER PURPOSES, INFORMATION TO OTHERS, OR FOR ANY OTHER PURPOSES, WITHOUT THE WRITTEN PERMISSION OF ANALOG DEVICES. THE EQUIPMENT DESIGN HEREON MAY BE PROTECTED BY PATENTS OWNED OR CONTROLLED BY ANALOG DEVICES.

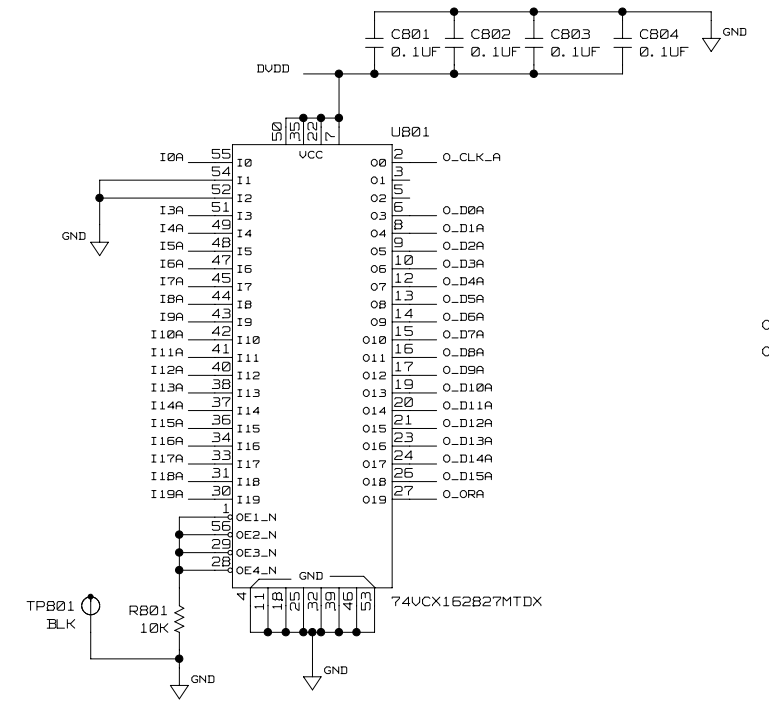
REVISIONS

REV	DESCRIPTION	DATE	APPROVED

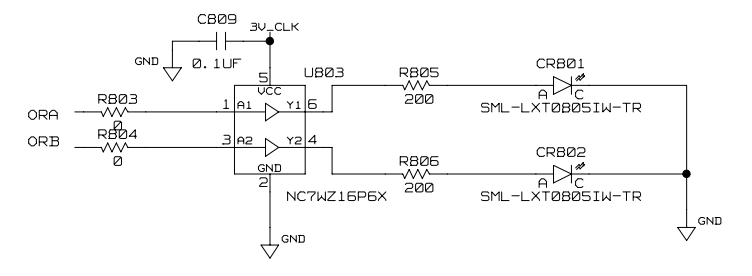
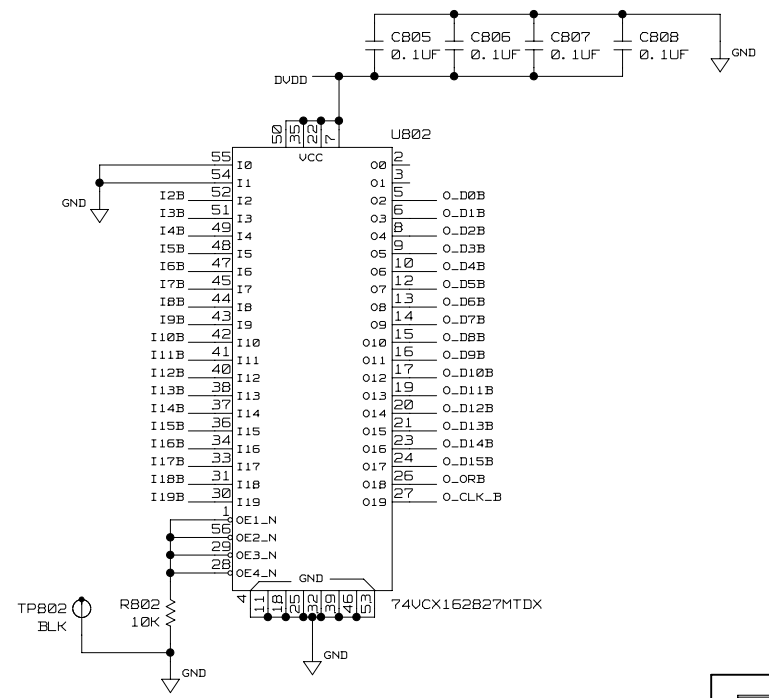
SERIES RESISTORS

CHANNEL B		CHANNEL A	
DCOB	RNB01 3Ω SEE CHART	I19B	RNB03 1Ω SEE CHART
ORB	RNB01 4Ω SEE CHART	I18B	RNB03 2Ω SEE CHART
D15B	RNB08 1Ω SEE CHART	I17B	RNB03 3Ω SEE CHART
D14B	RNB08 2Ω SEE CHART	I16B	RNB07 1Ω SEE CHART
D13B	RNB08 3Ω SEE CHART	I15B	RNB07 2Ω SEE CHART
D12B	RNB08 4Ω SEE CHART	I14B	RNB07 3Ω SEE CHART
D11B	RNB05 1Ω SEE CHART	I13B	RNB07 4Ω SEE CHART
D10B	RNB05 2Ω SEE CHART	I12B	RNB05 1Ω SEE CHART
D9B	RNB05 3Ω SEE CHART	I11B	RNB05 2Ω SEE CHART
D8B	RNB05 4Ω SEE CHART	I10B	RNB05 3Ω SEE CHART
D7B	RNB09 1Ω SEE CHART	I9B	RNB02 1Ω SEE CHART
D6B	RNB09 2Ω SEE CHART	I8B	RNB02 2Ω SEE CHART
D5B	RNB09 3Ω SEE CHART	I7B	RNB05 1Ω SEE CHART
D4B	RNB09 4Ω SEE CHART	I6B	RNB05 2Ω SEE CHART
D3B	RNB04 1Ω SEE CHART	I5B	RNB05 3Ω SEE CHART
D2B	RNB04 2Ω SEE CHART	I4B	RNB04 1Ω SEE CHART
D1B	RNB04 3Ω SEE CHART	I3B	RNB01 1Ω SEE CHART
D0B	RNB04 4Ω SEE CHART	I2B	RNB01 2Ω SEE CHART
		ORA	RNB03 1Ω SEE CHART
		D15A	RNB03 2Ω SEE CHART
		D14A	RNB03 3Ω SEE CHART
		D13A	RNB03 4Ω SEE CHART
		D12A	RNB07 1Ω SEE CHART
		D11A	RNB07 2Ω SEE CHART
		D10A	RNB07 3Ω SEE CHART
		D9A	RNB07 4Ω SEE CHART
		D8A	RNB02 1Ω SEE CHART
		D7A	RNB02 2Ω SEE CHART
		D6A	RNB02 3Ω SEE CHART
		D5A	RNB02 4Ω SEE CHART
		D4A	RNB05 1Ω SEE CHART
		D3A	RNB05 2Ω SEE CHART
		D2A	RNB05 3Ω SEE CHART
		D1A	RNB05 4Ω SEE CHART
		D0A	RNB01 1Ω SEE CHART
		DCOA	RNB01 2Ω SEE CHART

	RNB01	RNB02	RNB03	RNB04
AD9268	22 OHM	22 OHM	22 OHM	22 OHM
AD9251	220 OHM	220 OHM	220 OHM	220 OHM



OUTPUT BUFFERS

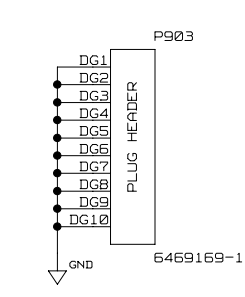
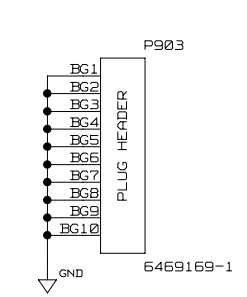
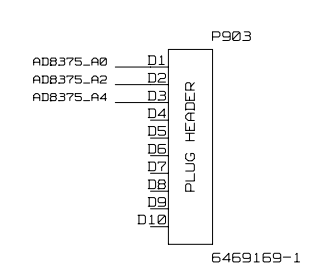
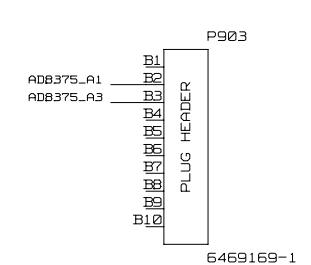
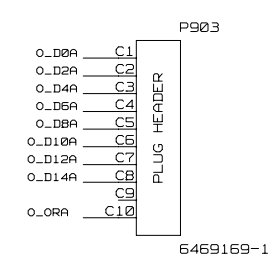
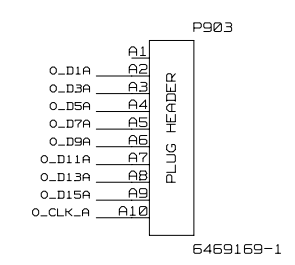
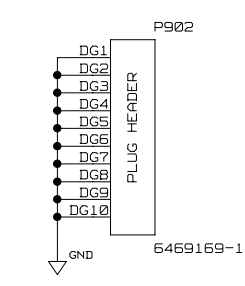
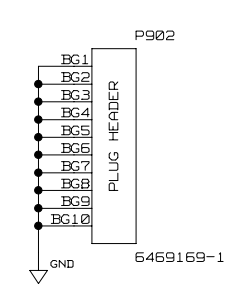
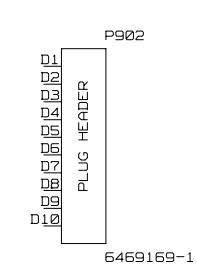
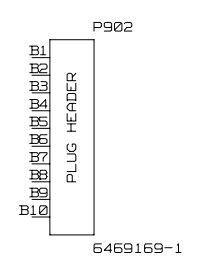
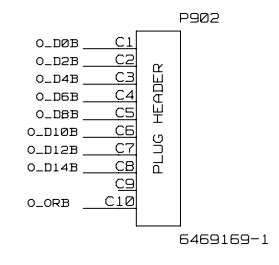
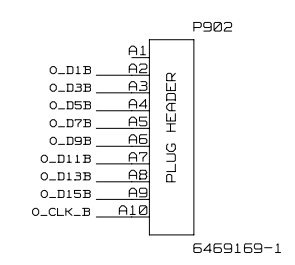
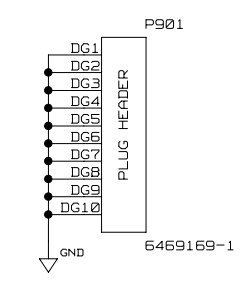
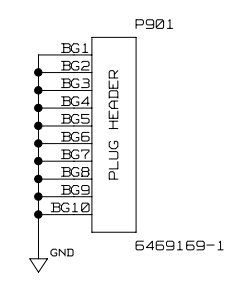
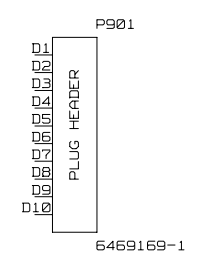
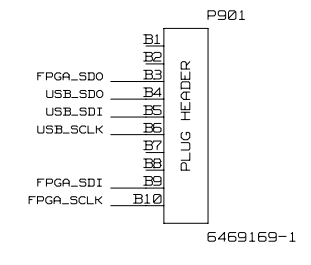
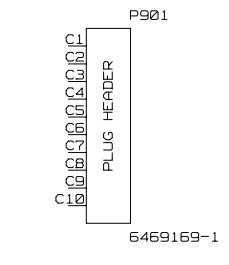
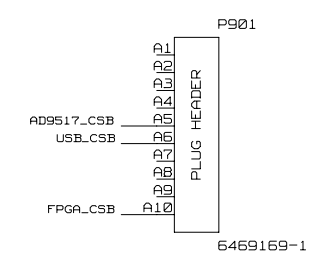


OTR LED CIRCUIT

	SCHEMATIC		
	AD9268 / AD9251 CUSTOMER EVAL		
	AD9268 / AD9251 <PRODUCT_1>		
	DESIGN VIEW <DESIGN_VIEW>	DRAWING NO. 9268CE01C	REV C
PTD ENGINEER <PTD_ENGINEER>	SIZE D	SCALE -	SHEET 9 OF 10

REVISONS

REV	DESCRIPTION	DATE	APPROVED



FIFO 5 CONNECTIONS

	SCHEMATIC		
	AD9268 / AD9251 CUSTOMER EVAL AD9268 / AD9251 <PRODUCT_1>		
DESIGN VIEW <DESIGN_VIEW>	DRAWING NO. 9268CE01C	REV C	
PTD ENGINEER <PTD_ENGINEER>	SIZE D	SCALE -	SHEET 10 OF 10