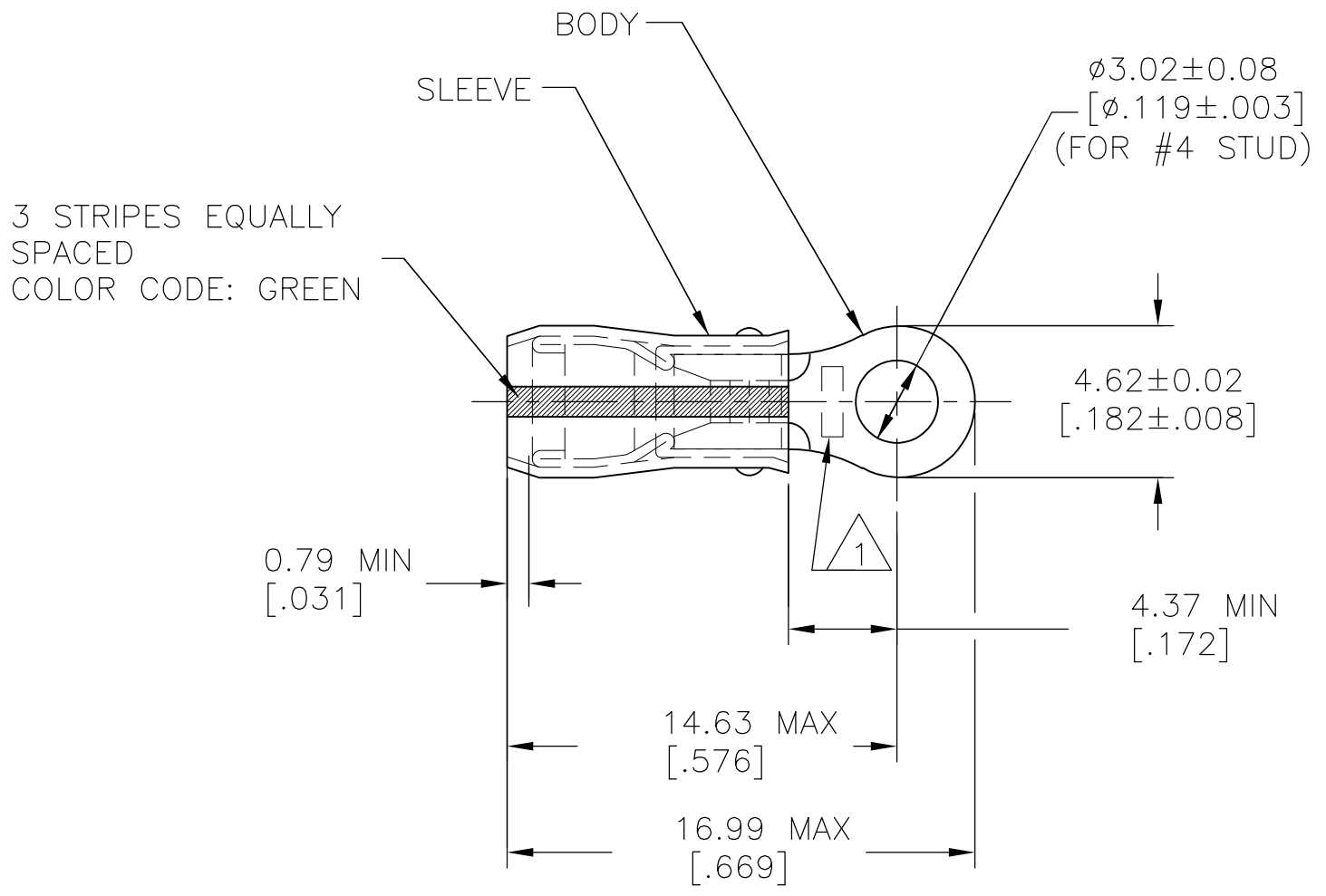


THIS DRAWING IS UNPUBLISHED. RELEASED FOR PUBLICATION
 © COPYRIGHT - By - ALL RIGHTS RESERVED.

| LOC | DIST | REVISIONS | | | |
|-----|------|-------------|---------------------------|-----------|-------|
| P | LTR | DESCRIPTION | DATE | DWN | APVD |
| G | 14 | T | REVISED PER ECO-14-015277 | 10FEB2015 | NK DR |



- 1 STAMP AMP APPROX AS SHOWN.
- 2 WIRE INSULATION DIA, 2.03-3.18[.080-.125]
- 3 TONGUE MATERIAL THK, 0.79±0.05[.031±.002]

| | | |
|----------|--------------|---------|
| 1000 | LOOSE PIECE | 327654 |
| QUANTITY | PACKAGE TYPE | PART NO |

| | | | | | | | | | |
|--|--|---|--|--|-----------------------------|-----------------|-----------|------------|---------------|
| AMP INCORPORATED CUSTOMER SERVICE SYSTEMS | | MAX RECOMMENDED OPERATING TEMPERATURE: 105°C [221°F] MAX | THIS DRAWING IS A CONTROLLED DOCUMENT. | | DWN DK SCHRUM 9/30/93 | TE Connectivity | | | |
| FOR ADDITIONAL PRODUCT INFORMATION OR COPIES OF DRAWINGS AND TECHNICAL DOCUMENTS | PRODUCT INFORMATION CENTER 1-800-522-6752 | VOLTAGE RATING: 300 V MAX | DIMENSIONS: mm [INCHES] | TOLERANCES UNLESS OTHERWISE SPECIFIED: | CHK RE HERSEY 9/30/93 | | | | NAME |
| FOR APPLICATION TOOLING INFORMATION | TOOLING ASSISTANCE CENTER 1-800-722-1111 | WIRE: 0.26-1.65mm² [509-3260] CIR MILS SOLID OR STRANDED | | 0 PLC ± - 1 PLC ± - 2 PLC ± 0.20[.008] 3 PLC ± - 4 PLC ± - ANGLES ± - | APVD ML ELLIS 9/30/93 | PRODUCT SPEC | | | |
| FOR ORDER ENTRY | 1-800-526-5142 | THIS DRAWING IS A CONTROLLED DOCUMENT FOR AMP INCORPORATED. IT IS SUBJECT TO CHANGE AND THE CONTROLLING ENGINEERING ORGANIZATION SHOULD BE CONTACTED FOR THE LATEST REVISION. | MATERIAL COPPER PER ASTM B-152 SLEEVE, RED NYLON | FINISH TIN PLATE PER ASTM B545 | APPLICATION SPEC UL 486A | SIZE | CAGE CODE | DRAWING NO | RESTRICTED TO |
| | | | | | WEIGHT | A3 00779 | | C-327654 | |
| | | | | | CUSTOMER DRAWING | SCALE | NTS | SHEET | 1 OF 1 |
| | | | | | | | | REV | T |