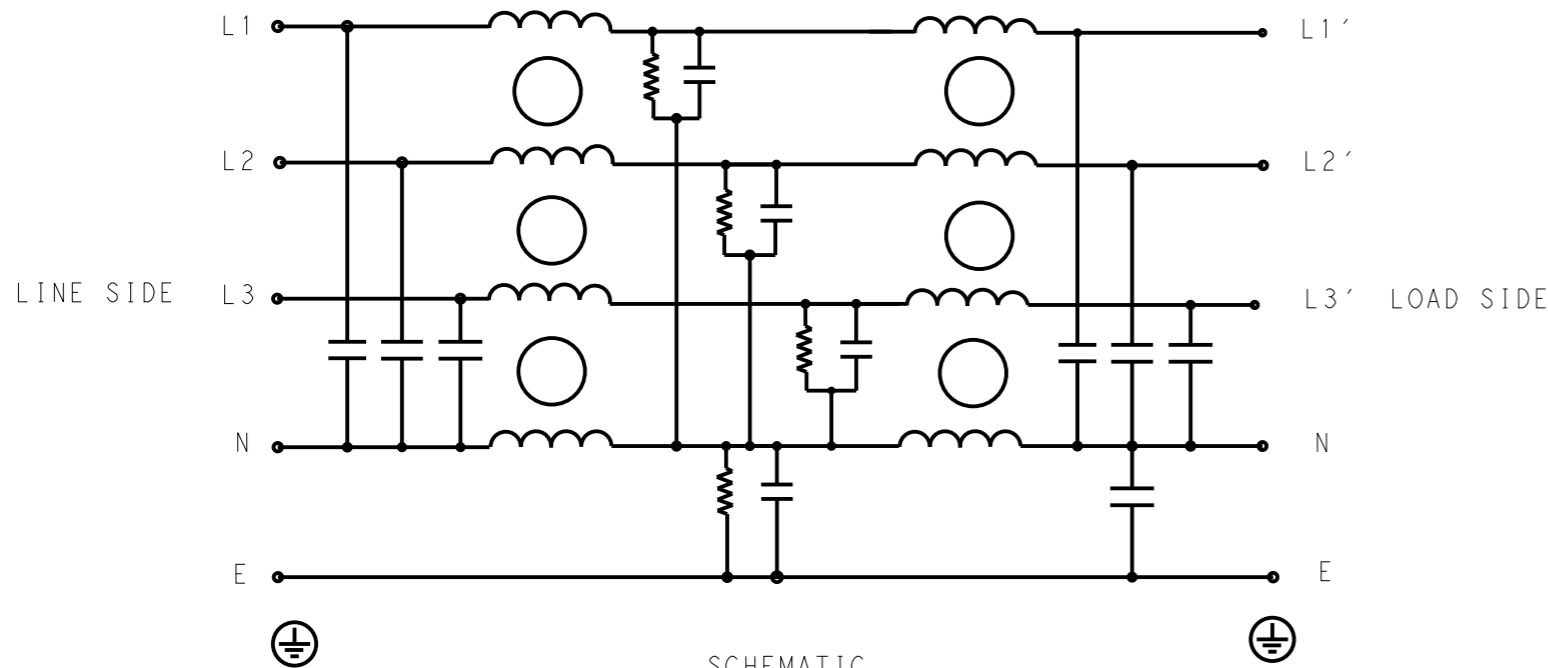


P	LTR	DESCRIPTION	DATE	DWN	APVD
	A	INITIAL RELEASE	20APR2021	SR	CB



**SAFETY ORGANIZATIONS**  
 THIS FILTER WILL BE FORMALLY RECOGNIZED, CERTIFIED OR APPROVED BY THE LISTED AGENCY. THEREFORE, ALL TEST/REQUIREMENTS SPECIFIED IN THE LATEST REVISION OF THE FOLLOWING AGENCY STANDARDS WILL BE MET:

UL APPROVED 16A 520V 50Hz/60Hz 50°C  
 CSA APPROVED 16A 520V 50Hz/60Hz 50°C

**OPERATING SPECIFICATION**  
 LINE CURRENT/VOLTAGE: 16A, 520VAC  
 LINE FREQUENCY: 50/60Hz

MAXIMUM LEAKAGE CURRENT: 5mA @ 230VAC, 50Hz  
 OPERATING AMBIENT TEMPERATURE RANGE @ RATED CURRENT: -10°C TO +50°C  
 IN AN AMBIENT, T<sub>a</sub>, HIGHER THAN 50°C, THE MAXIMUM OPERATING CURRENT, I<sub>o</sub>, IS AS FOLLOWS:

$$I_o = I_r \sqrt{\frac{105 - T_a}{55}}$$

**RELIABILITY SPECIFICATIONS**  
 STORAGE TEMPERATURE: -40°C TO +85°C  
 HUMIDITY: 21 DAYS @ 40°C AND 95% RH

**TEST SPECIFICATIONS**  
 INDUCTANCE, NOMINAL: 8mH

CAPACITANCE @ 1kHz  
 NEUTRAL TO GROUND, NOMINAL: 1µF  
 LINE TO NEUTRAL, NOMINAL: 3µF

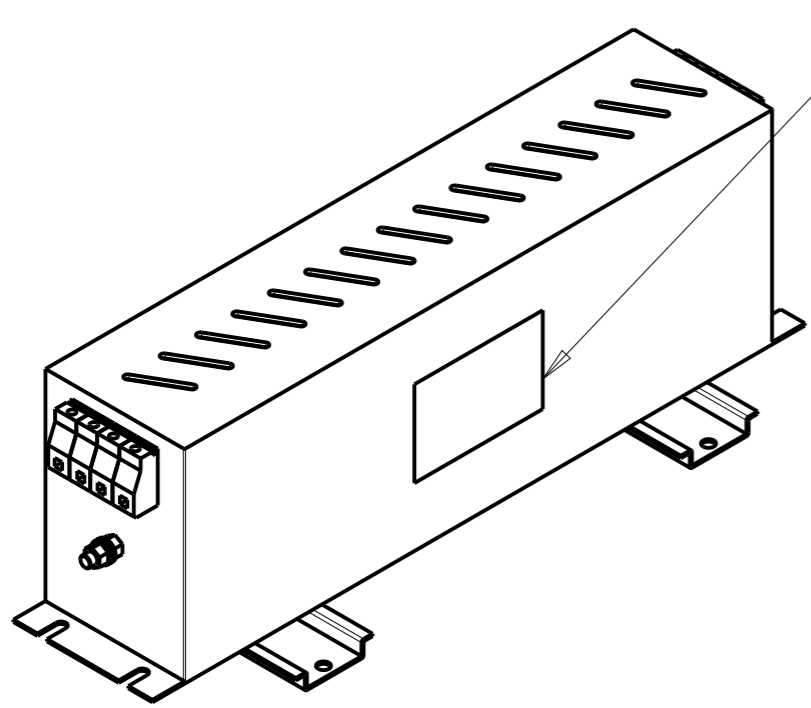
**DISCHARGE RESISTOR**  
 L/L I.R. 2MΩ 1W  
 L/N I.R. 1.5MΩ 1W  
 L/G I.R. 2MΩ 1W  
 N/G I.R. 680KΩ 1W  
 IR (NO DISCHARGE RESISTOR) 20°C, 50% RH AND 100VDC, MIN: 6MΩ

**RECOMMENDED RECEIVING INSPECTION HIPOT**  
 LINE TO GROUND FOR 1 MINUTE: 2856VDC  
 LINE TO LINE FOR 1 MINUTE: 2236VDC  
 LINE TO NEUTRAL FOR 1 MINUTE: 1290VDC

**FILTER APPROVAL**  
 THE BEST WAY TO SELECT AND QUALIFY A FILTER IS FOR YOUR ENGINEERING TO TEST THE UNIT IN YOUR EQUIPMENT.

TYPICAL INSERTION LOSS  
 COMMON MODE 50/50Ω; DIFFERENTIAL MODE 50/50Ω

MHz	0.01	0.05	0.15	0.5	1	3	5	10	30
CM	72	70	68	70	74	65	58	46	24
DM	56	50	38	51	52	48	42	28	32



LABEL TO TE MARKING SPECIFICATION

THIS DRAWING IS A CONTROLLED DOCUMENT.		DWN SUPREETH R 20APR2021		
		CHK CHRIS BOLLE 20APR2021		
		APVD CHRIS BOLLE 20APR2021		
DIMENSIONS: mm		TOLERANCES UNLESS OTHERWISE SPECIFIED:		NAME POWER LINE FILTER FOR DIN 35 RAIL INSTALLATION 16KEVD10BBSWVM
		0 PLC ±- 1 PLC ±0.5 2 PLC ±0.40 3 PLC ±0.130 4 PLC ±0.0500 ANGLES ±-		PRODUCT SPEC -
MATERIAL -		FINISH -		APPLICATION SPEC -
				WEIGHT -
		CUSTOMER DRAWING		SIZE A3 00779 CAGE CODE G-6-1609998-4
		SCALE 2:5		RESTRICTED TO -
		SHEET 1 OF 2		REV A

© 2021 TE Connectivity. All Rights Reserved.

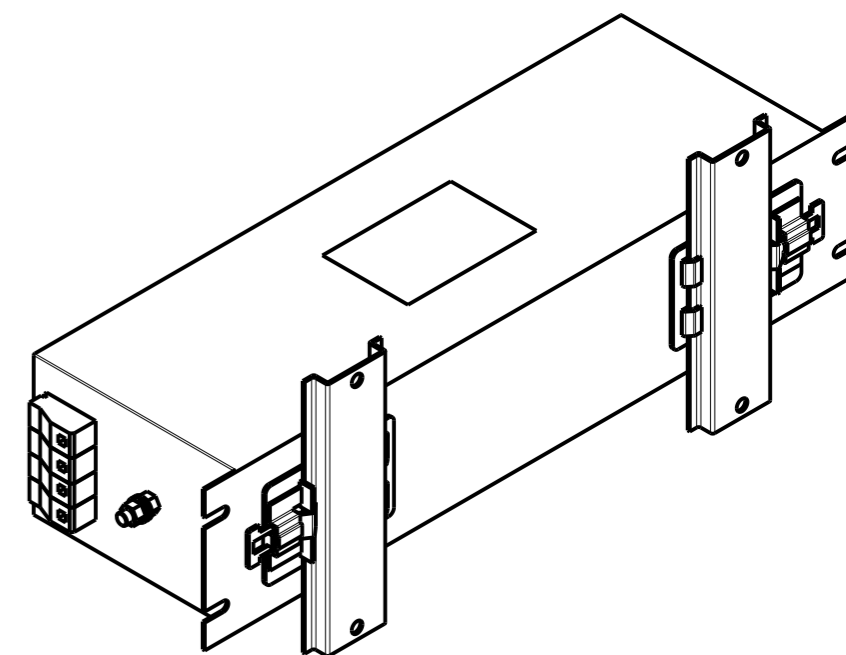
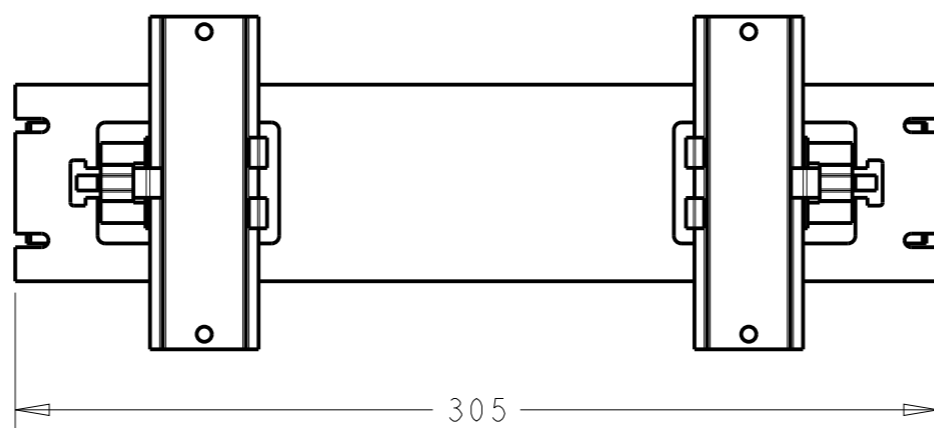
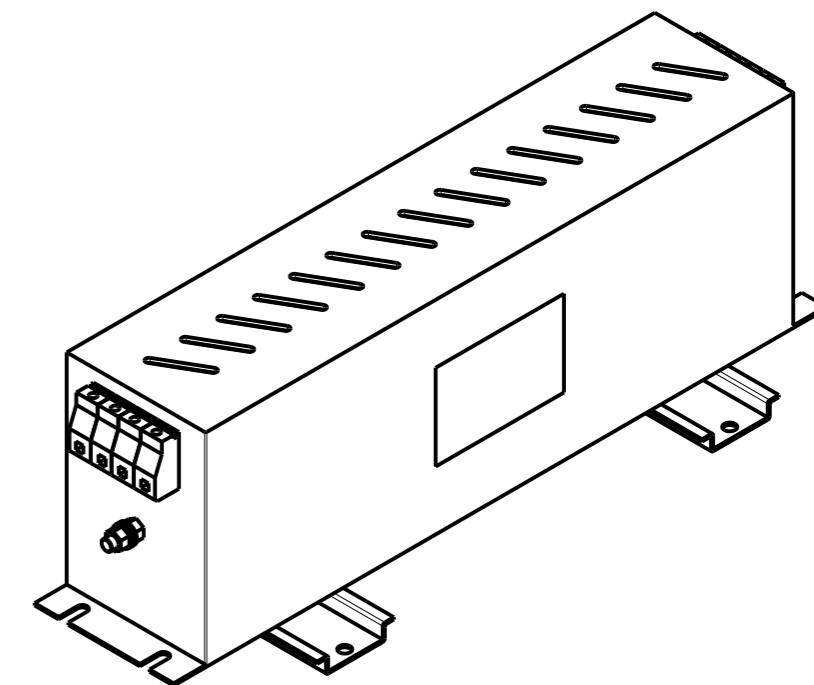
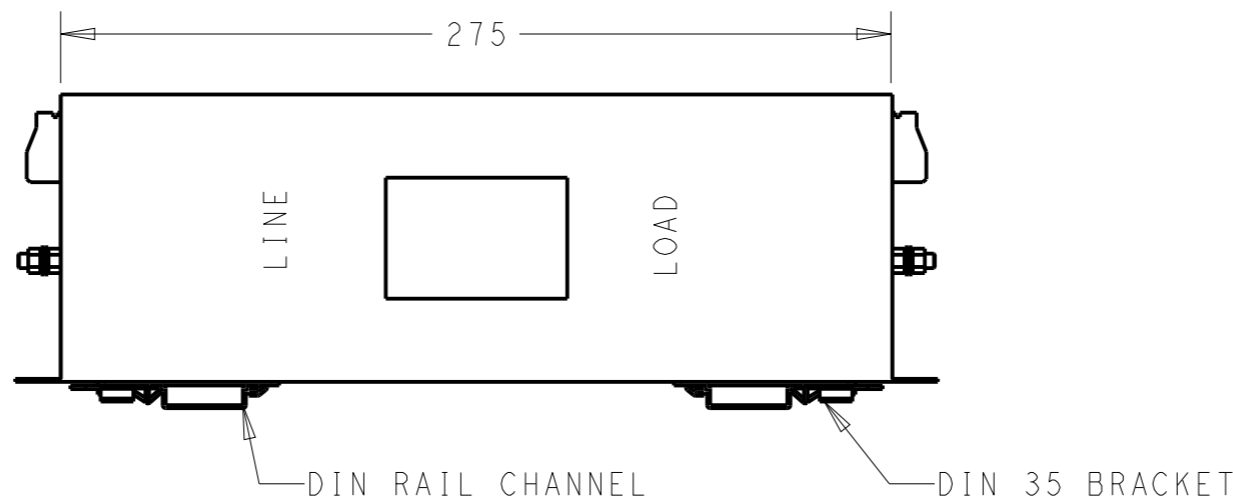
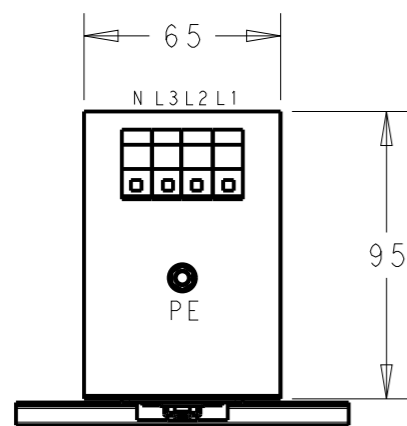
NOTE 1 GROUND CONNECTION:  
 FOR ELECTRICAL SAFETY AND FILTER PERFORMANCE  
 UNIT MUST HAVE A GOOD GROUND CONNECTION.  
 TORQUE OUTER TERMINAL SCREWS: 0.5Nm / 4.5 in.lbs  
 TORQUE GROUND NUTS: 2Nm

NOTE 2 INPUT OUTPUT CONNECTION TERMINAL  
 AWG SIZE: 26-12 AWG  
 WIRE SECTION: 4 mm<sup>2</sup>  
 THREADED BOLT SIZE FOR GROUND: M5

NOTE 3 SUPPLIED WITH DIN RAIL BRACKET.

NOTE 4 DRAWING SHOWS DIN RAIL FOR REFERENCE ONLY.

REVISIONS					
P	LTR	DESCRIPTION	DATE	DWN	APVD
		SEE SHEET 1			



THIS DRAWING IS A CONTROLLED DOCUMENT.		DWN 20APR2021 SUPREETH R		
		CHK 20APR2021 CHRIS BOLLE		
		APVD 20APR2021 CHRIS BOLLE	NAME POWER LINE FILTER FOR DIN 35 RAIL INSTALLATION 16KEVD10BBSWVM	
DIMENSIONS: mm		TOLERANCES UNLESS OTHERWISE SPECIFIED:		SIZE A300779
		0 PLC ±- 1 PLC ±0.5 2 PLC ±0.40 3 PLC ±0.130 4 PLC ±0.0500 ANGLES ±-		CAGE CODE C-6-1609998-4
MATERIAL		FINISH		DRAWING NO -
-		-		RESTRICTED TO -
-		-		SCALE 2:5
		CUSTOMER DRAWING		SHEET 2 OF 2
				REV A