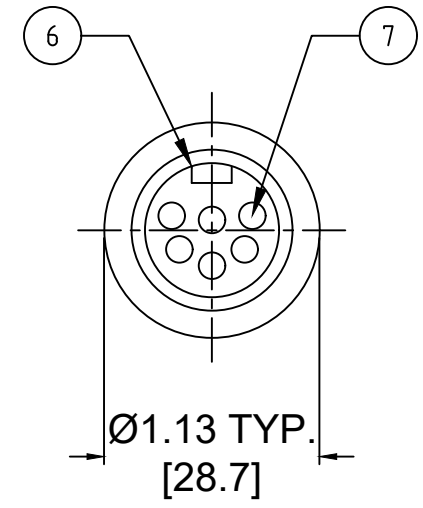
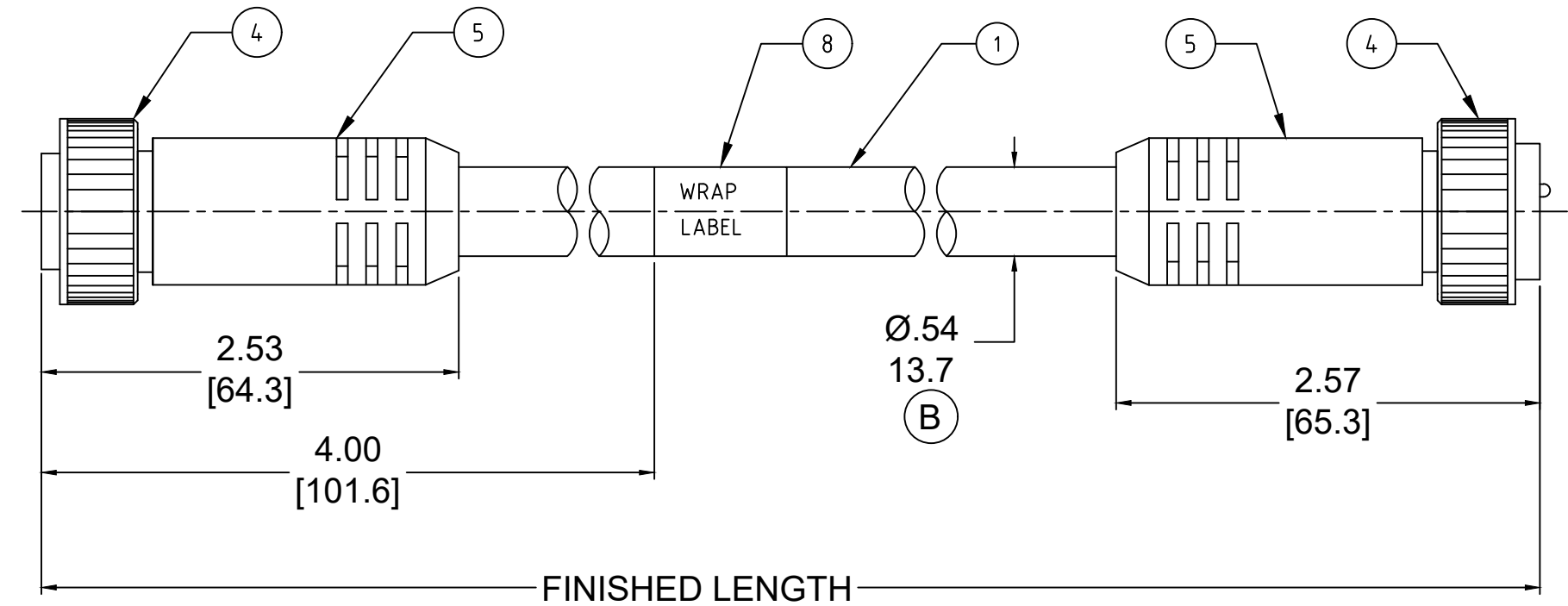
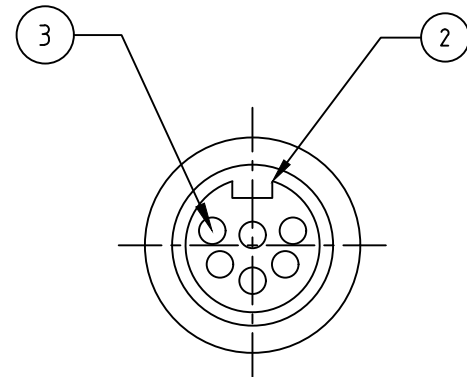


PART NO	ENGINEERING NO.	FINISHED LENGTH
1300110008	226020A01F030	3FT [0.9M]
1300110082	227020A01M300	30M [98FT 5 IN]
1300110158	228020A01M600	60M [196FT 10 IN]



- NOTES:
- MATERIAL: AS NOTED
 - FINISH: AS NOTED
 - ELECTRICAL:
6 POLE: VOLTAGE: 400V PER IEC60664
600V PER UL2238
CURRENT: 8A
7 POLE: VOLTAGE: 320V PER IEC60664
600V PER UL2238
CURRENT: 8A
8 POLE: VOLTAGE: 320V PER IEC60664
600V PER UL2238
CURRENT: 7A
 - TEMP RATING: -20°TO +105°C
 - PROTECTION: IP67 (WHEN MATED)
 - COUPLING THREAD: 1"-16 UN
 - UL RECOGNIZED FILE: E152210
CSA CERTIFIED FILE: LR6837 (B)
 - ALL DIMENSIONS ARE FOR REFERENCE UNLESS TOLERANCED OR NOTED OTHERWISE

PART NO. MATRIX
227020A01M010
 POLES (6,7,8) FINISHED LENGTH:
 M005= 0.5 METER
 M010= 1 METER
 M100= 10 METER
 F010= 1 FOOT
 F100= 10 FEET

CABLE LENGTH TOLERANCES

>.3M [1FT]:	+19mm-0 [+.75in-0]
.3 - .9M [1 - 3FT]:	+44.5mm-0 [+1.75in-0]
.9 - 1.8M [3 - 6FT]:	+55.6mm-0 [+2.19in-0]
1.8 - 3.7M [6 - 12FT]:	+88.9mm-0 [+3.50in-0]
3.7 - 7.3M [12 - 24FT]:	+165.1mm-0 [+6.50in-0]
7.3-14.6M [24 - 48FT]:	+317.5mm-0 [+12.50in-0]
14.6 - 30.5M [48-100FT]:	+622.3mm-0 [+24.50in-0]
OVER 30M [100FT]	+2% OF FINISHED LENGTH

8	WRAP LABEL	VINYL	BLACK/YELLOW
7	CONTACT PIN	COPPER ALLOY	GOLD PLATED
6	MALE INSERT	TPE	YELLOW
5	OVERMOLD	TPE	YELLOW
4	COUPLING	ZINC DIE-CAST	BLACK
3	CONTACT SOCKET	COPPER ALLOY	GOLD PLATED
2	FEMALE INSERT	TPE	YELLOW
1	CABLE, 16AWG, TPE,STOOW	PVC JACKET	YELLOW
ITEM	DESCRIPTION	MATERIAL	FINISH

FUNCTIONAL SYMBOLS FA=0 FC=0 FP=0	DIMENSION UNITS	SCALE	CURRENT REV DESC: ITEM# 2, 5 & 6 WERE PVC. ADDED "CSA" IN NOTES. ADDED CABLE DIA. MODIFIED MATERIAL TABLE		
	INCH/MM	NTS	EC NO: 643513 DRWN: ABENJAMINLW 2020/07/29 CHK'D: RSTONE 2020/08/28 APPR: BWOODMAN 2020/09/15		
	GENERAL TOLERANCES (UNLESS SPECIFIED)				
	mm		INCH		 MINI-CHANGE CORDSET, B-SIZE, 6-8 POLE, MALE-FEMALE, STRAIGHT, SINGLE KEY, 16 AWG PRODUCT CUSTOMER DRAWING DOCUMENT NUMBER: SD-130011-006 DOC TYPE/DOC PART/REVISION: PSD 001 B
4 PLACES	±----	±----	INITIAL REVISION:		
3 PLACES	±----	±----	DRWN: RSTONE 2016/11/30		
2 PLACES	±----	±----	APPR: BWOODMAN 2016/12/20		
1 PLACE	±----	±----	ANGULAR TOL ± 0.5 °	MATERIAL NUMBER: SEE CHART CUSTOMER: GENERAL MARKET SHEET NUMBER: 1 OF 1	
0 PLACES	±----	±----	DRAFT WHERE APPLICABLE MUST REMAIN WITHIN DIMENSIONS	THIRD ANGLE PROJECTION DRAWING: C-SIZE SERIES: 139990	