

PLEASE CHECK WWW.MOLEX.COM FOR LATEST PART INFORMATION

Part Number: [0622019004](#)
Status: **Active**
Overview: [Application Tooling](#)
Description: Installation Press-in Tool for Impel Plus 1.90mm Pitch Daughtercard Guided Assemblies (6-Pair by 10 Column)

Documents:

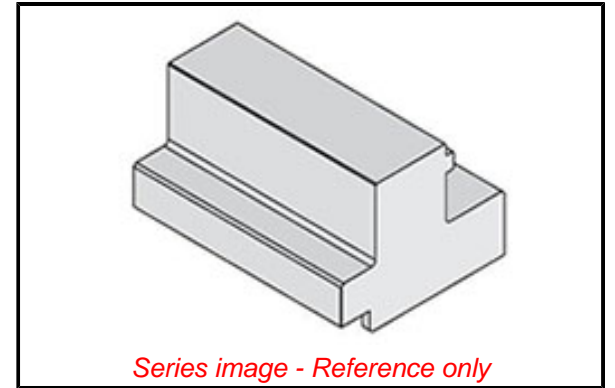
[RoHS Certificate of Compliance \(PDF\)](#)

General

Product Family	Application Tooling
Series	207123
Function	Insertion
Geographic Area	Global
Level of Automation	Manual
More Detailed Tech Information	applicationtooling@molex.com
Overview	Application Tooling
Product Name	Impel
Tool Type	Press-Fit Insertion Tool
UPC	193264142675
Warranty Disclaimer	CAUTION: Molex tooling crimp specifications are valid only when used with Molex terminals and tooling manufactured by Molex and sold by Molex or authorized distributors ("Molex Tooling"). When using tooling other than Molex Tooling with Molex specific connector systems listed in our ATS documents, the Molex tooling qualification does not apply and the responsibility for full qualification of the connector system is that of the customer. Molex accepts no liability for connector performance or tooling support where tooling other than Molex Tooling is used or where Molex Tooling is modified.

Material Info

Reference - Drawing Numbers
Application Tooling Documents [622019004-000](#)



EU ELV

Not Reviewed

EU RoHS

Not Reviewed

REACH SVHC

Not Reviewed

Halogen-Free

Status

Not Reviewed

For more information, please visit [Contact US](#)

China ROHS

Not Reviewed

ELV

Not Reviewed

RoHS Phthalates

Not Reviewed

Search Parts in this Series

[207123 Series](#)

Application Tooling | **FAQ**
Description | **Product #**

Impel 90 Ohm, 6 Pair Right-Angle Daughtercard, 1.90mm Pitch, Left Guided, 16 Columns, 192 Circuits, Plated Through Hole Dimension 0.36mm	1714003026
Impel 90 Ohm, 6 Pair Right-Angle Daughtercard, 1.90mm Pitch, Left Guided, 16 Columns, 192 Circuits, Plated Through Hole Dimension 0.36mm, Keying Orientation A	1714003126
Impel 90 Ohm, 6 Pair Right-Angle Daughtercard, 1.90mm Pitch, Right Guided, 16 Columns,	1714005026

192 Circuits, Plated
Through Hole
Dimension 0.36mm
Impel 90 Ohm, 6 1714005126
Pair Right-Angle
Daughtercard,
1.90mm Pitch, Right
Guided, 16 Columns,
192 Circuits, Plated
Through Hole
Dimension 0.36mm,
Keying Orientation A

This document was generated on 02/27/2021

PLEASE CHECK WWW.MOLEX.COM FOR LATEST PART INFORMATION