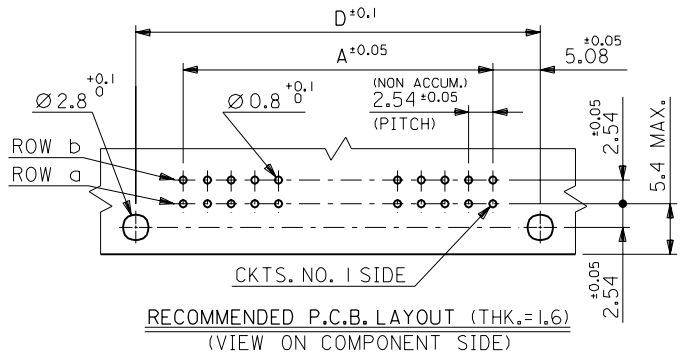
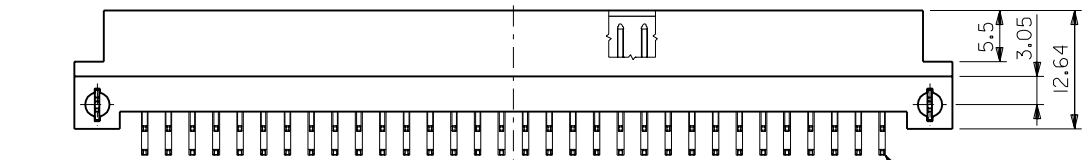
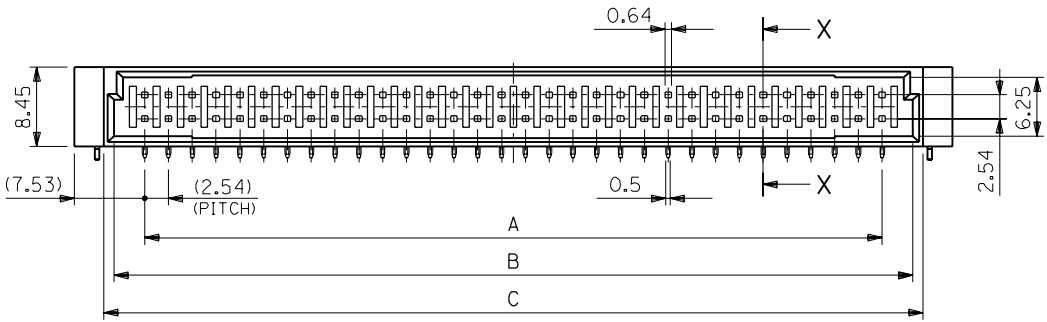
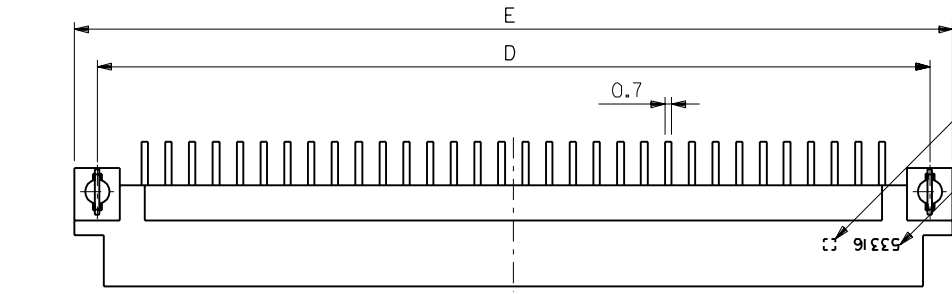


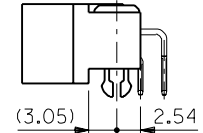
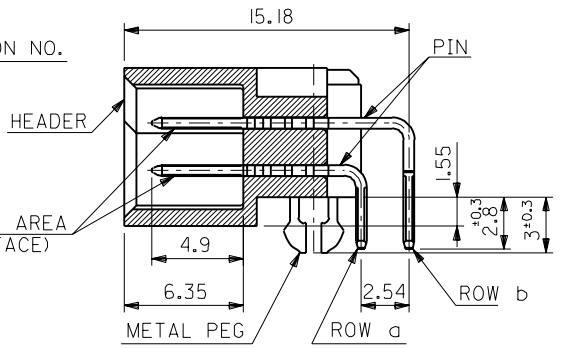
ENG. NO. SD-53316-****
 EDP NO.
 DIMENSIONS IN METRIC DO NOT SCALE DRAWING



PLATING INDICATION NO.

ENG. NO.

GOLD PLATING AREA
(WHOLE SURFACE)



SECT. X-X
(SCALE: 4-1)

NOTES: 1. MATERIAL

HEADER: GLASS FILLED P.B.T. (WHITE), UL94V-0
 PIN: BRASS (t=0.58)
 METAL PEG: PHOSPHOR BRONZE (t=0.48),
 TIN-LEAD OVER COPPER PLATING

PLATING & PLATING INDICATION NUMBER

53316-***3	0.76		1.0	1.0	3
53316-***2	0.5				2
53316-***1	0.3				1
53316-***0	0.1				0
ENG. NO.	CONTACT AREA GOLD [μmMIN.]	SOLDER AREA TIN-LEAD [μmMIN.]	UNDER PLATE NICKEL [μmMIN.]	PLATING INDICATION NUMBER	

3. MATE WITH: 52299, 52385, 52479, 52482 SERIES.

93.80	88.90	87.50	85.30	78.74	53316-064*	64
76.02	71.12	69.72	67.52	60.96	↑ -050*	50
68.40	63.50	62.10	59.90	53.34	↑ -044*	44
53.16	48.26	46.86	44.66	38.10	↑ -032*	32
37.92	33.02	31.62	29.42	22.86	↓ -020*	20
32.84	27.94	26.54	24.34	17.78	53316-016*	16
E	D	C	B	A	ENG. NO.	NO. OF CKTS.

角度 ANGLE	±3°				
30以上 OVER	+0.3	A	REVISED (J10145)	H.H.	'91/2/22
10以上 30未滿 UNDER	+0.25	O	RELEASED (J00922)	S.M. H.H.	'90/8/27
10未滿 UNDER	+0.2			DR. DATE	
一般公差 GENERAL TOLERANCES				記号 LTR	変更内容 REVISION RECORD

材料 MATERIAL	SEE NOTES	molex MOLEX-JAPAN CO.,LTD. 日本モレックス株式会社
仕上げ FINISH	SEE NOTES	
適用電線範囲 WIRE RANGE	—H—	EDP. NO.
被覆外径 INS. RANGE	—H—	ENG. NO.
DRAWN BY '90/8/27 S.MOCHIZUKI	CHK'D BY	SD-53316-****
APP'D BY	尺度 SCALE 2 - 1	REV A
TITLE 名称 2.54 B TO B CONN. RIGHT ANGLE HEADER ASS'Y WITH METAL PEG (DUAL ROW)		

THIS DRAWING CONTAINS INFORMATION THAT IS PROPRIETARY TO MOLEX(JAPAN) AND SHOULD NOT BE USED WITHOUT WRITTEN PERMISSION
 本図面は日本モレックス(株)の所有する情報を含むもので 当社の許可なく複製を禁止する。