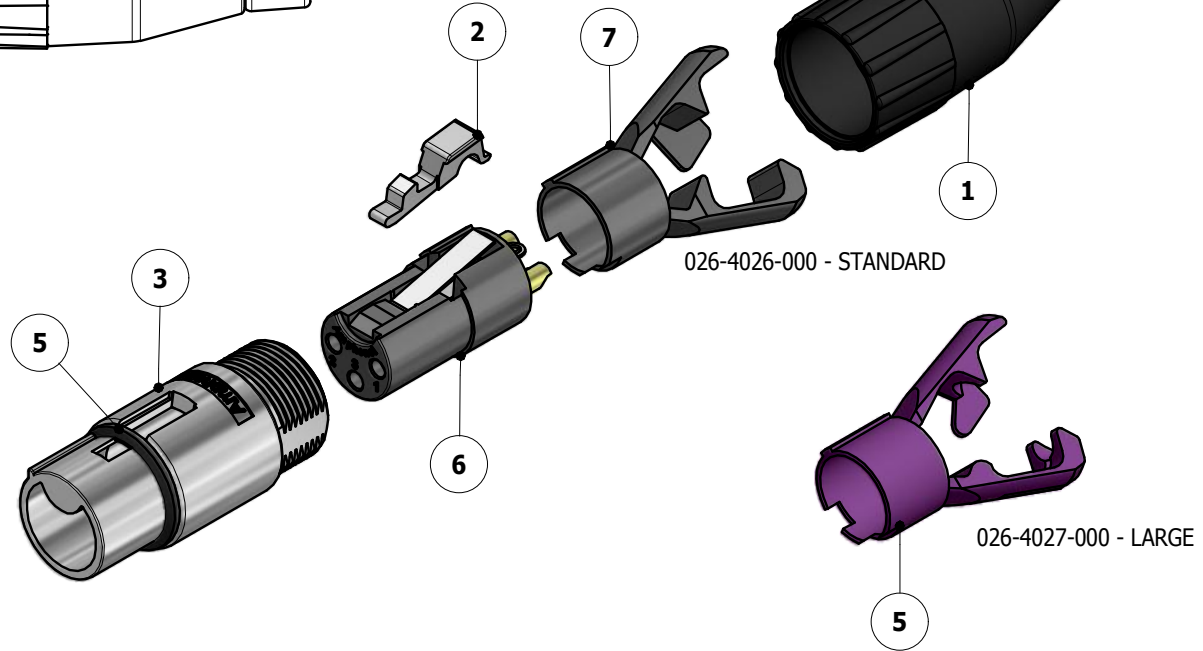
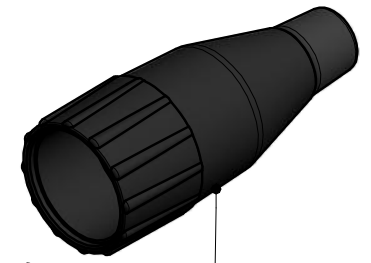
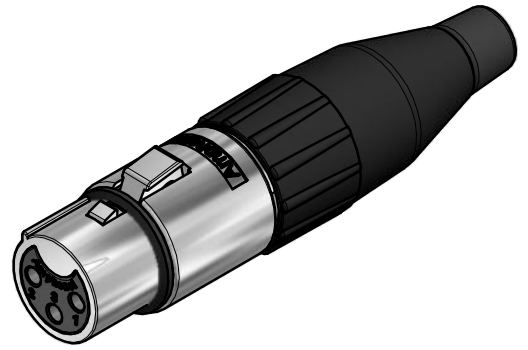
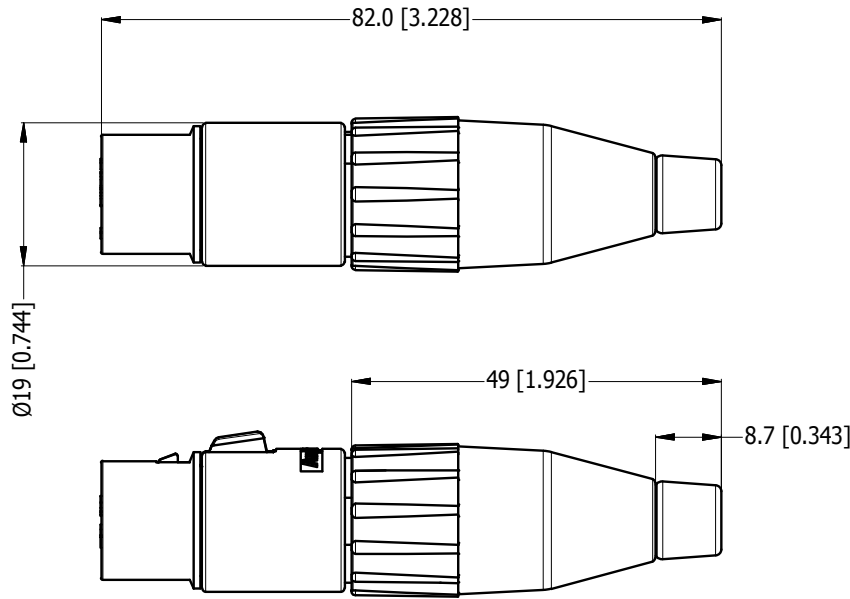


LEGEND  = KEY PRODUCT CHARACTERISTICS



PART NUMBER	SHELL FINISH	CONTACT FINISH	CABLE CLAMP
AC3FG	NICKEL PLATED	SILVER PLATED	STANDARD
AC3FGJ	NICKEL PLATED	SILVER PLATED	LARGE
AC3FGB	MATT BLACK COATING	SILVER PLATED	STANDARD
AC3FGBJ	MATT BLACK COATING	SILVER PLATED	LARGE
AC3FG-AU	NICKEL PLATED	GOLD PLATED	STANDARD
AC3FGJ-AU	NICKEL PLATED	GOLD PLATED	LARGE
AC3FGB-AU	MATT BLACK COATING	GOLD PLATED	STANDARD
AC3FGBJ-AU	MATT BLACK COATING	GOLD PLATED	LARGE

Note:
 1. Individual bag pack for all above standard PNs.
 2. Add BULK to PN for bulk packing of 100 connectors per box, e.g. AC3FG BULK.

ITEM	PART NUMBER	FINISH	QTY
7	026-4026/7-000	CABLE CLAMP - STD BLACK OR LARGE - PURPLE	1
6	51560083-1/233	INSERT ASSY 3 SKT WITH GROUNDING TAG - STD Ag OR Au PLATING	1
5	990-4144-000	RUBBER O-RING - BLACK	1
4	012-4035-00x	RUBBER GROMMET - STD MATT BLACK OR COLOURS	1
3	348-4065-000/B	FEMALE SHELL - Ni PLATING OR MATT BLACK COATING	1
2	207-4013-000	DIECAST LATCH - Ni PLATING	1
1	217-4041-0xx	PLASTIC NUT - STD MATT BLACK OR COLOURS	1

UNLESS OTHERWISE SPECIFIED TOLERANCE TO BE:

LINEAR	ANGULAR
X ± 0.5	X' ± 1
X.X ± 0.2	X.X' ± 30'
X.XX ± 0.1	X.XX" ± 15'

BREAK ALL SHARP EDGES AND REMOVE ALL BURRS

DO NOT SCALE

DIMENSIONS IN MILLIMETRES

THIS DOCUMENT IS THE PROPERTY OF AMPHENOL AUSTRALIA PTY. LTD. NO PART THEREOF MAY BE REPRODUCED AND USED WITHOUT THE PRIOR WRITTEN CONSENT OF THE OWNER

MATERIAL: **SEE COMPONENT**

FINISH: **SEE COMPONENT**

DRN: M.H DATE: 11/04/16

CKD: M.H DATE: 11/04/16

APP'D: P.M DATE: 11/04/16

SCALE: **1:1** SIZE: **A4**

THIRD ANGLE PROJECTION

Amphenol Amphenol Australia Pty.Ltd, 22 Industry Boulevard, Carrum Downs, VIC 3201

TITLE: **AC3FG** AC 3 SOCKET FEMALE CUSTOMER DWG**

PART No. **SEE TABLE**

DRAWING No. **55011107-001-1** SHEET **2/2**

CAD FILE 55011107001110