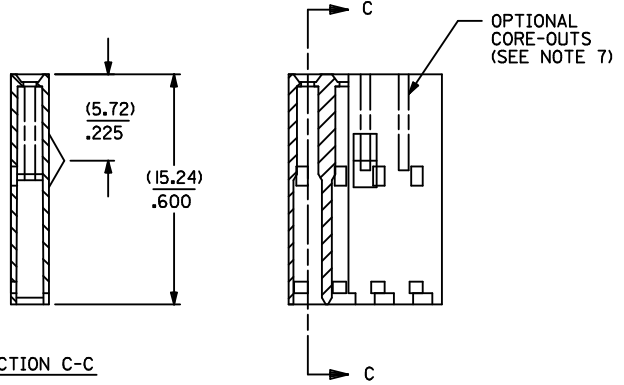
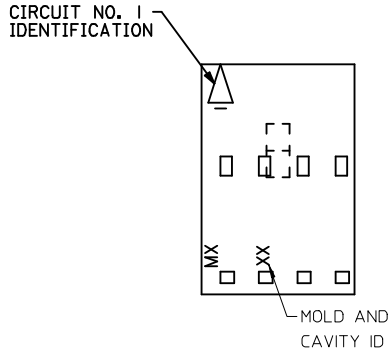
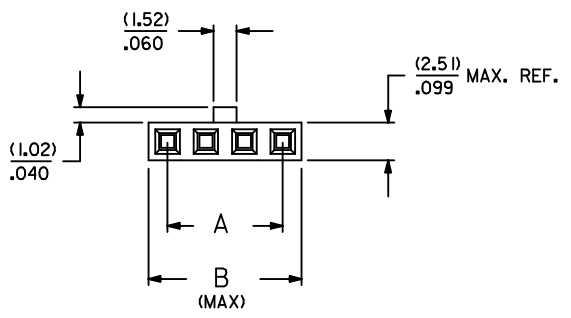


- NOTES:
1. MATERIAL GLASS FILLED POLYESTER, UL94V-0; COLOR: BLACK.
 2. HOUSING MAY BE USED WITH TERMINAL NUMBERS 70058, 71851, AND 70021.
 3. REFER TO CHART FOR AVAILABLE CIRCUIT SIZES.
 4. HOUSINGS TO BE USED WITH (0.64)/.025 SQUARE OR ROUND PINS.
 5. HOUSING ARE STACKABLE END-TO-END ON (2.54)/.100 CENTERS.
 6. REFER TO MOLEX PRODUCT SPECIFICATION(S): PS-70400, PS-70058, PS-71851, PS-70021, AND MOLEX APPLICATION SPECIFICATION SDES-70400.
 7. PARTS MAY OR MAY NOT BE SUPPLIED WITH EXTERIOR CORE-OUT CONFIGURATION, REFER TO MOLEX DRAWING NUMBER SD-70066-**** FOR OPTIONAL HOUSING DETAILS.
 8. PACKAGE PER PK-70066-100.

OPTION "E"



CKT. SIZE	EDP. NO.	ENG. NO.	A	B
2		70066-0141	(2.54) .100	(5.05) .199
3		70066-0142	(5.08) .200	(7.59) .299
4		70066-0143	(7.62) .300	(10.13) .399
5		70066-0144	(10.16) .400	(12.67) .499
6		70066-0145	(12.70) .500	(15.21) .599
7		70066-0146	(15.24) .600	(17.75) .699
8		70066-0147	(17.78) .700	(20.29) .799
9		70066-0148	(20.32) .800	(22.83) .899
10	50-57-9605	70066-0149	(22.86) .900	(25.37) .999
11		70066-0150	(25.40) 1.000	(27.91) 1.099
12		70066-0151	(27.94) 1.100	(30.45) 1.199
13		70066-0152	(30.48) 1.200	(32.99) 1.299
14		70066-0153	(33.02) 1.300	(35.53) 1.399
15		70066-0154	(35.56) 1.400	(38.07) 1.499
16		70066-0155	(38.10) 1.500	(40.61) 1.599
17		70066-0156	(40.64) 1.600	(43.15) 1.699
18		70066-0157	(43.18) 1.700	(45.69) 1.799
19		70066-0158	(45.72) 1.800	(48.23) 1.899
20		70066-0159	(48.26) 1.900	(50.77) 1.999
21		70066-0160	(50.80) 2.000	(53.31) 2.099
22		70066-0161	(53.34) 2.100	(55.85) 2.199
23		70066-0162	(55.88) 2.200	(58.39) 2.299
24		70066-0163	(58.42) 2.300	(60.93) 2.399
25		70066-0164	(60.96) 2.400	(63.47) 2.499

LOCATE MOLD & CAVITY ID EC NO: UCP2014-4216 DRWN:RHIPPLE 2014/04/11 CHKD:DMORGAN 2014/04/11 APPR:SMILLER 2014/04/28	QUALITY SYMBOLS ▽=0 ▽=0 ▽=0	GENERAL TOLERANCES (UNLESS SPECIFIED)		DIMENSION STYLE MM/IN		SCALE 4:1	DESIGN UNITS INCH	THIRD ANGLE PROJECTION		
		4 PLACES ± ---	INCH ± ---	DRAWN BY	DATE	TITLE HOUSING CONNECTOR (2.54)/.100 GRID OPT. E STACKABLE SINGLE ROW molex DOCUMENT NO. SD-70066-0141-0164 SHEET NO. 1 OF 1				
		3 PLACES ± ---	± .010	CHECKED BY	DATE					
		2 PLACES ± 0.25	± .015	WZ	1986/03/28					
1 PLACE ± 0.38	± ---	APPROVED BY	DATE							
0 PLACE ±	±	SMILLER	2012/02/13	MATERIAL NO. SEE CHART						
DRAFT WHERE APPLICABLE MUST REMAIN WITHIN DIMENSIONS				SIZE C		THIS DRAWING CONTAINS INFORMATION THAT IS PROPRIETARY TO MOLEX INCORPORATED AND SHOULD NOT BE USED WITHOUT WRITTEN PERMISSION				