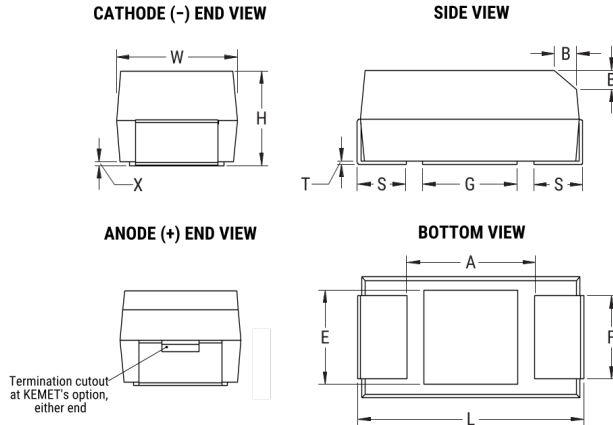


## T513E108K004BC6320

T513 HRA, Tantalum, MnO<sub>2</sub> Tantalum, HRA Multi-Anode, 1,000 uF, 10%, 4 VDC, SMD, MnO<sub>2</sub>, Molded, Military Equivalent, MAT High Reliability, B (0.1%/1000 Hrs), 10 mOhms, 7360, Height Max = 3.8mm



Click [here](#) for the 3D model.

Dimensions	
Footprint	7360
L	7.3mm +/-0.3mm
W	6mm +/-0.3mm
H	3.6mm +/-0.2mm
T	0.13mm REF
S	1.3mm +/-0.3mm
F	4.1mm +/-0.1mm
A	3.8mm MIN
B	0.5mm +/-0.15mm
E	3.5mm REF
G	3.5mm REF
X	0.1mm +/-0.1mm

Packaging Specifications	
Packaging	T&R, 178mm
Packaging Quantity	500

General Information	
Series	T513 HRA
Dielectric	MnO <sub>2</sub> Tantalum
Style	SMD Chip
Description	SMD, MnO <sub>2</sub> , Molded, Military Equivalent, MAT High Reliability
Features	Low ESR
RoHS	No
Prop 65	<b>⚠ WARNING:</b> Cancer and reproductive harm - <a href="http://www.p65warnings.ca.gov">http://www.p65warnings.ca.gov</a> .
SCIP Number	ff0ac6de-04a5-49fb-9ad1-557da7f701ca
Termination	Hot Solder Dipped
AEC-Q200	No
Component Weight	500.73 mg

Specifications	
Capacitance	1,000 uF
Capacitance Tolerance	10%
Voltage DC	4 VDC (85C), 2.68 VDC (125C)
Temperature Range	-55/+125°C
Rated Temperature	85°C
Dissipation Factor	6% 120Hz 25C
Failure Rate	B (0.1%/1000 Hrs)
Resistance	10 mOhms (100kHz 25C)
Ripple Current	4470 mA (rms, 100kHz 25C)
Leakage Current	40 uA (5min 25°C)
Testing and Reliability	10 Cycles Surge Current Testing At -55C And +85C After Weibull

Statements of suitability for certain applications are based on our knowledge of typical operating conditions for such applications, but are not intended to constitute - and we specifically disclaim - any warranty concerning suitability for a specific customer application or use. This information is intended for use only by customers who have the requisite experience and capability to determine the correct products for their application. Any technical advice inferred from this information or otherwise provided by us with reference to the use of our products is given gratis, and we assume no obligation or liability for the advice given or results obtained.