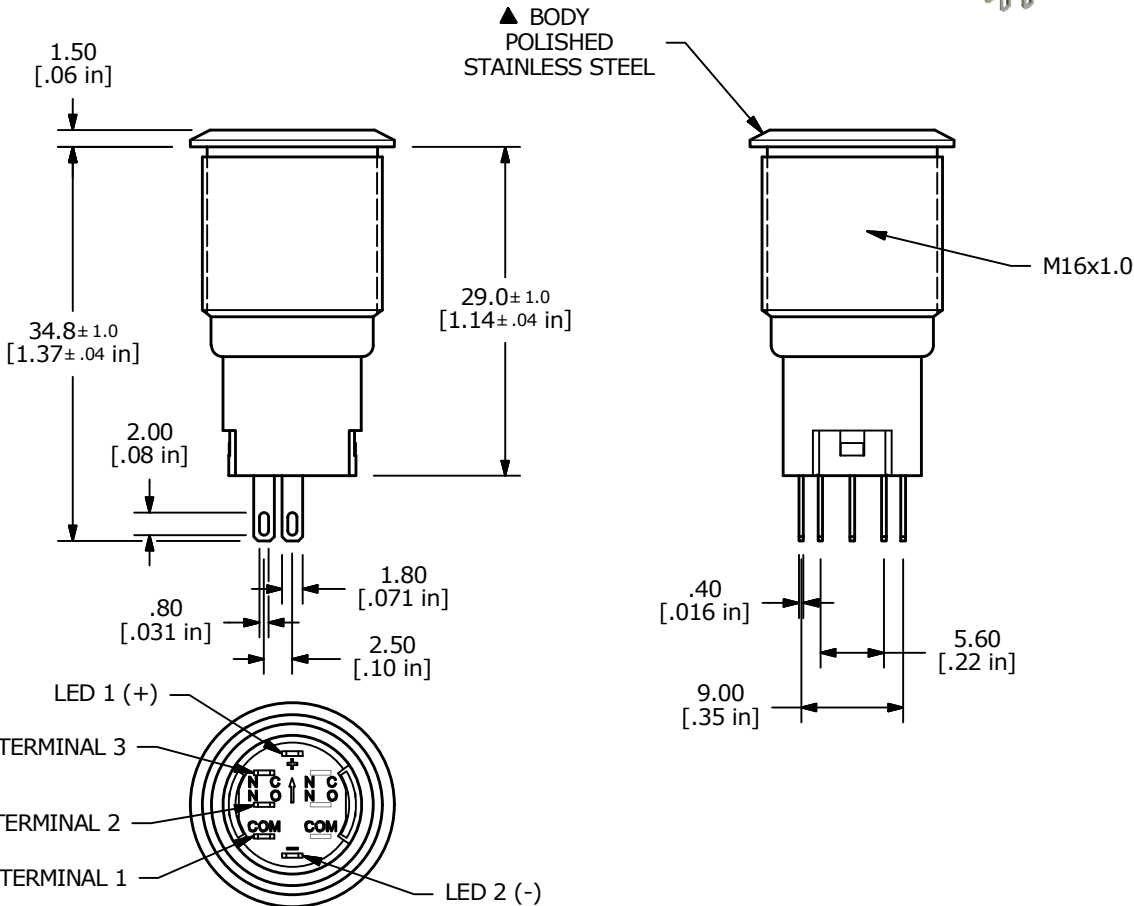
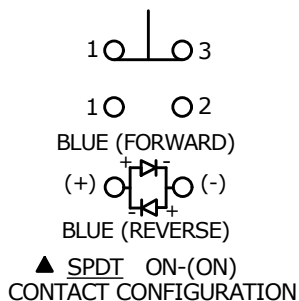


SWITCH FUNCTION	
POS. 1	POS. 2
ON	(ON)
1-3	1-2

(ON) = MOMENTARY



- NOTE:
1. ALL DIMENSIONS IN MM [INCH]
 2. GENERAL TOLERANCE: X.X = ±0.4
X.XX = ±0.25
 3. TERMINAL NUMBERS FOR REF ONLY
 4. CONTACT MATERIAL: SILVER
 5. RATING: 2A 48VDC
 6. ELECTRIC LIFE: 50,000 MAKE-AND-BREAK CYCLES AT FULL LOAD.
 7. INSULATION RESISTANCE: 1,000 MΩ MIN.
 8. DIELECTRIC STRENGTH: 2,000 VAC MIN. FOR 1 MINUTE
 9. CONTACT RESISTANCE: 50mΩ MAX. @ 1A 12VDC
 10. OPERATING TEMP.: -20°C to 55°C
 11. ▲ DENOTES CRITICAL PARAMETER.
 12. ▲ HARDWARE SUPPLIED: O-RING AND HEXNUT
 13. ▲ INGRESS RATING: IP67
 14. ▲ LAMP VOLTAGE: 24V

REV	PCR NO	DESCRIPTION	DATE	BY
D	23617	update +/- Terminals	4/17/19	MW
C	23360	UPDATED RATING TO 2A 48VDC	5/14/18	MJR
B	22883	UPDATED RATING TO 1A 24VDC	6/9/17	MJR

TITLE PV3WF2B0SS-345

SCALE 3:2	DATE 8/8/2014	DR EBP	DWG 52-PV3WF2B0SS345	REV D
-----------	---------------	--------	----------------------	-------