

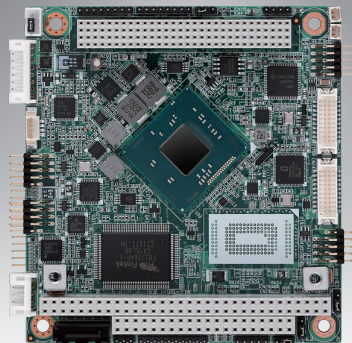
Discontinuation Notice of PCM-3362 series

Reason			
Due to Intel® announced product discontinuance of their 82801HBM I/O Controller Hub (ICH8M); we hereby announce the discontinuation of PCM-3362 series.			
Products Affected/ Advantech Ordering Codes			
PCM-3362 series PC/104+ Embedded Stackable Board Computer based on Intel® Atom™ N450 CPU and Intel® 82801HBM I/O Controller Hub (ICH8M)			
<ul style="list-style-type: none"> ▪ PCM-3362N-S6A1E ▪ PCM-3362N-S6F4A1E ▪ PCM-3362Z-1GS6A1E ▪ PCM-3362Z2-1GS6A1E ▪ and all related custom T-P/N's and ODM-P/N's 			
Discontinuance Milestones			
Last Product Discontinuance Order Date:		July / 29, 2016	
Last Product Discontinuance Shipment Date:		January / 31, 2017	
Please determine your remaining demand and place your "Last Product Discontinuance Orders" in accordance with the "Discontinuance Milestones" listed above. Orders are non-cancelable and non-returnable after July 29, 2016.			
Suggested Replacement			
As a replacement Advantech recommends to migrate to the following PC/104+ SBC			
PCM-3365 series PC/104+ based on Intel® Atom™ E3825/E3845 & Celeron® N2930,			
Issue Date	January/ 29, 2015	PCN No.:	150641

PCM-3365

Intel® Atom™ E3825 / E3845 & Celeron® N2930, PC/104-Plus SBC, ISA, VGA, HDMI/DVI, LVDS, 6 USB, mSATA or Onboard Flash

Preliminary



susiAccess CE FCC

Features

- Intel® Atom™ E3825/E3845 & Celeron® N2930, DDR3L-1066/1333MHz SODIMM up to 8GB
- DirectX11, OpenGL3.2, OpenCL1.1, 3 independent display: VGA+LVDS/HDMI+LVDS/DVI+LVDS/VGA+LVDS
- Support PC/104-Plus expansion
- Rich I/O: 1 GbE, 3 COM, SATA, 6 USB2.0, SMBus/I2C, GPIO, full-size Mini PCIe/full-size mSATA
- Supports SUSIAccess and Embedded Software APIs

Software APIs:



Utilities:

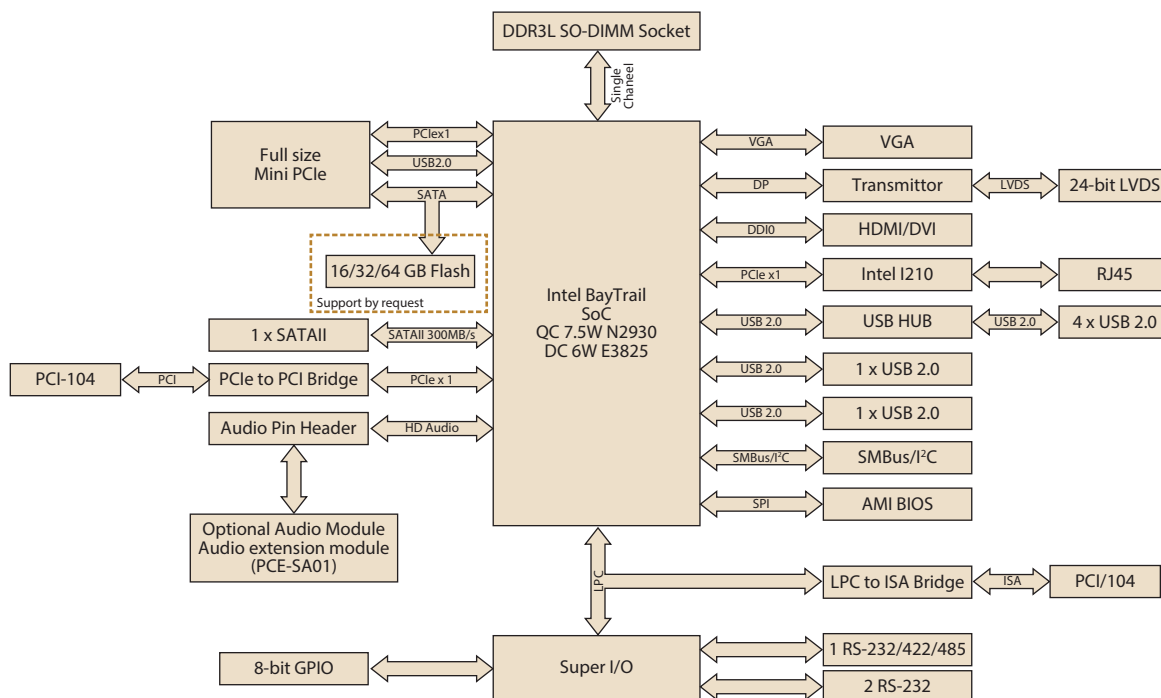


Specifications

Processor System	CPU	Intel Celeron N2930	Intel Atom E3825	Intel Atom E3845
	Base Frequency	1.83 GHz (Quad-Core)	1.33 GHz (Dual-Core)	1.91 GHz (Quad-Core)
	Max Turbo Frequency	2.16 GHz	-	-
	L2 Cache	2MB	1MB	2MB
Memory	BIOS	AMI UEFI BIOS at 64 Mb		
	Technology	DDR3L 1333 MHz	DDR3L 1066 MHz	DDR3L 1333 MHz
	Max. Capacity	8 GB		
Display	Socket	1 x 204-pin SODIMM		
	Controller	Intel Gen7 graphic engine		
	Processor Graphics	DirectX11, OpenGL3.2, OpenCL1.1 Full HW acceleration, decode: H.264, MPEG2/4, VC-1, WMV9. Encode: H.264, MPEG2		
	VGA	2560 x 1600 at 60Hz		
	LVDS	24-bit dual LVDS up to WUXGA 1920 x 1200 at 60Hz Supports 3.3/5 for VDD power, 1A@5V/12V for inverter		
	HDMI / DVI	HDMI 1.4a for HD video playback, 1080P at 60Hz, up to 1920 x 1080 DVI 1.0 (DVI-D), up to 1920 x 1080		
Ethernet	Mult-Display	VGA + LVDS, VGA + HDMI/DVI, HDMI/DVI + LVDS		
	Speed	10/100/1000Mbps		
	Controller	Intel I210		
Storage	Connector	Pin Header		
	WatchDog Timer	Output System reset, Programmable counter from 1 ~ 255 minutes/ seconds		
	SATA	1, up to 3Gb/s (300 MB/s)		
Internal I/O	mSATA*	1 x Full-size (SATA signal shared with Onboard flash)		
	Onboard Flash*	16GB/32GB/64GB		
	Serial	1 RS-232/422/485 from COM 1, 2 RS-232 from COM2/3 (ESD protection: Air gap ±15kV, Contact ±8kV)		
Expansion	USB2.0	6		
	I ² C	1 (Shared with SMBus pin)		
	SMBus	1		
	GPIO	8-bit		
Power	Mini PCIe	1 x Full-size		
	PC/104	PC/104 Expansion, Memory and DMA are not supported		
	PCI-104	PCI-104 Expansion		
Environment	Power Type	AT / ATX		
	Power Supply Voltage	5V ± 5%		
	Power Consumption (Typical)	TBC		
	Power Consumption (Max, test in HCT)	TBC		
	Power Management	ACPI		
Physical Characteristics	Battery	Lithium 3 V / 210 mAH		
	Operational	0 ~ 60° C with 0.7m/s air flow (32 ~ 140° F) (Operational humidity: 40° C @ 95% RH Non-Condensing)		
Physical Characteristics	Non-Operational	-40° C ~ 85° C and 60° C @ 95% RH Non-Condensing		
	Dimensions (L x W)	96 x 90 mm (3.8" x 3.5")		
	Weight	TBC		
Physical Characteristics	Height	Top side: 14.4mm (N), 19.4mm (E & NZ2); Bottom side: 7.8mm, PCB: 1.6mm		

* The specification is supported by request

Block Diagram



Ordering Information

Part No.	CPU	L2 Cache	Memory	VGA	HDMI/DVI	LVDS	USB2.0	SATA	GbE	COM	PCI-104	PC/104	Full-size miniPCle	Thermal solution	Operating Temp
PCM-3365E-S3A1E	E3825	1MB	SODIMM	Yes	Yes	24-bit	6	1	1	3	Yes	Yes	Yes	Passive	0 – 60
PCM-3365E-S9A1E	E3845	2MB	SODIMM	Yes	Yes	24-bit	6	1	1	3	Yes	Yes	Yes	Passive	-40 – 85
PCM-3365N-S8A1E	N2930	2MB	SODIMM	Yes	Yes	24-bit	6	1	1	3	Yes	Yes	Yes	Passive	0 – 60

Packing List

PN	Description	Quantity
	PCM-3365 SBC	1
	Startup manual	1
1700002332	ATX power cable 20P-13P/8P/3P/3P 13 cm	1
1700003491	AT power cable 1 x 8P-2.0/B4P-5.08 x 2 15 cm	1
1700017863	LAN cable RJ-45/2 x 5P-2.0 15 cm	1
1700071000	SATA data cable 7p 100 cm	1
1700022749-11	SATA power cable B4P-5.08/SATA 15P 10 cm	1
1703100260	USB cable 2 ports 2.0 mm pitch w/ bracket 26 cm	3
1701200220	RS-232 x 2 ports 2.0 mm 22 cm	1
1700019414	RS-232/422/485 30cm 1 prot	1
1700000898	VGA cable D-SUB 15P(F)/12P-1.25 mm15 cm	1
TBC	DVI cable	1
9689000002	mini Jumper pack	1
1960073365T001	Heatsink for E3845	1
1960071977T001	Heatsink for E3825/N2930	1

Optional Accessories

Part No.	Description
	Heat spreader of PCM-3365
1653130421	PCI-104 connector 120-pin (Long pin)
165313222B	PC/104 connector 64-pin (Long pin)
165312022B	PC/104 connector 40-pin (Long pin)
TBC	HDMI cable
PCE-SA01-00A1E	Audio extension module
	Audio cable connecting PCM-3365 and audio extension module

Embedded OS/API

Windows 10	Part No.	Description
WES8	TBC	
WES7	TBC	
WEC7	TBC	
Linux		Kernel 3.x
VxWorks		6.9.3.3
Android		Kit Kat 4.4
Software API		iManager (SUSI 4.0)