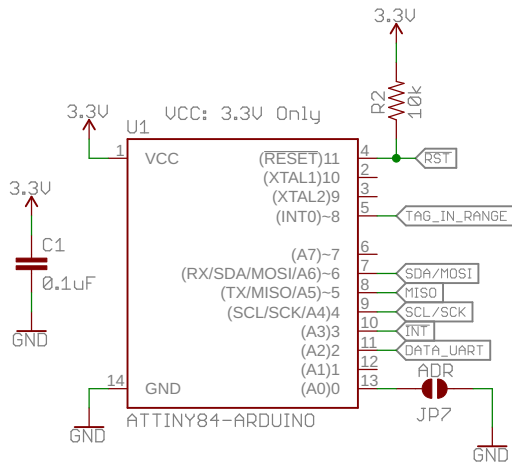
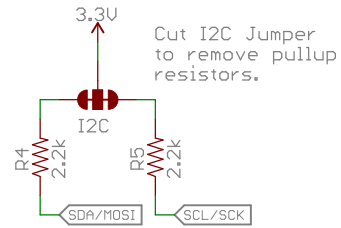
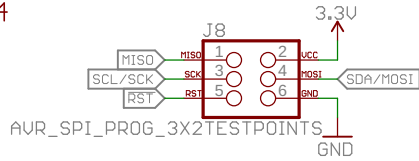
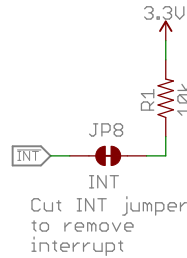


## ATTINY84

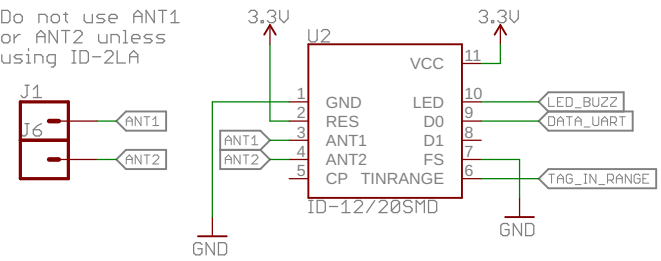


7-Bit Unshifted I2C Address  
 Open Jumper (Default): 0x7D  
 Closed Jumper: 0x7C  
 Software configurable

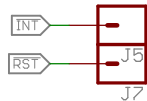
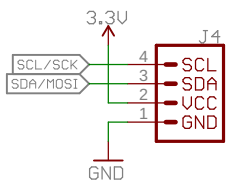
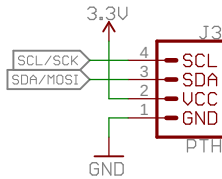
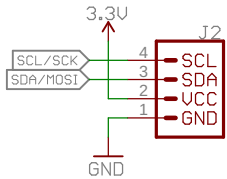


## RFID READER

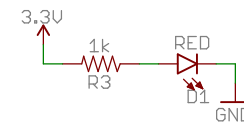
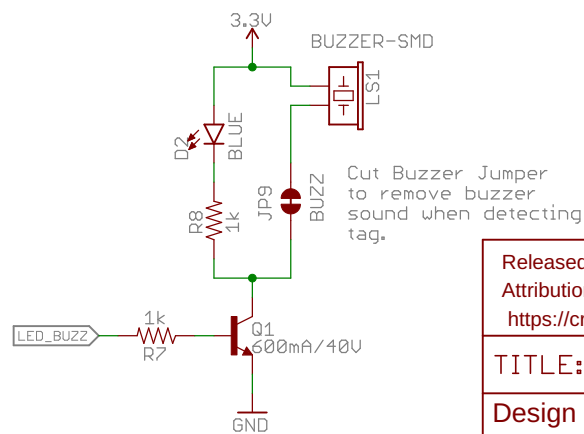
Do not use ANT1 or ANT2 unless using ID-2LA



## QWIC CONNECTORS



## Buzzer and Power LED



Released under the Creative Commons Attribution Share-Alike 4.0 License  
<https://creativecommons.org/licenses/by-sa/4.0/>

TITLE: Qwiic RFID - IDXXLA

Design by: Elias Santsitevan

REV: v10

Date: 2/26/2019 9:52 AM

Sheet: 1/1