

Ø 36 mm 16 Watts 16 W Part number 82740002



- Long service life
- With varistor EMC filtering
- Optional class B interference suppression
- Optional encoder with class B interference suppression

Part numbers

	Type	Type	Voltage	References
82740002	16 W	827400	24 V	Without option

Specifications

No-load characteristics

Speed of rotation (rpm)	3900
Absorbed power (W)	1,9
Absorbed current (A)	0,08

Nominal characteristics

Speed (rpm)	3000
Torque (mNm)	35
Usable power (W)	11
Absorbed power (W)	16,8
Absorbed current (A)	0,7
Gearbox case temperature rise (°C)	27
Efficiency (%)	65

General characteristics

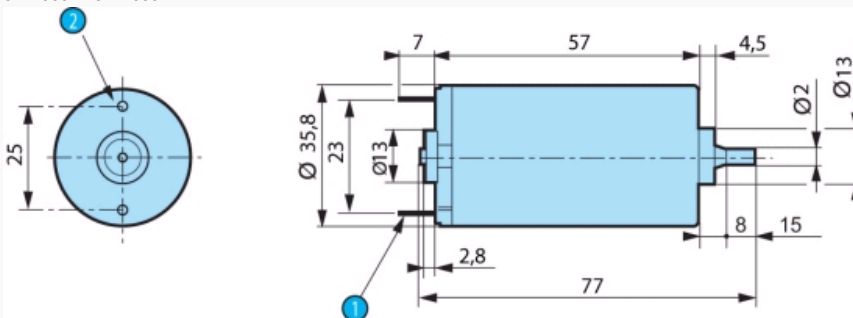
Coil wire insulation class	H
Protection rating	IP 20
Max. output power (W)	15,8
Start torque (mNm)	155
Starting current (A)	2,75
Resistance (Ω)	8,73
Inductance (mH)	9,6
Torque constant (Nm/A)	0,058
Electrical time constant (ms)	1,1
Mechanical time constant (ms)	11,1
Thermal time constant (mn)	6,5
Inertia (g.cm ²)	45
Weight (g)	200
Number of segments	5
Service life (h)	3000
Sintered bronze bearings	▪

Made to order products, available on request

- 1, 5 or 12 pulse encoder
- Characteristics as per specification

Dimensions (mm)

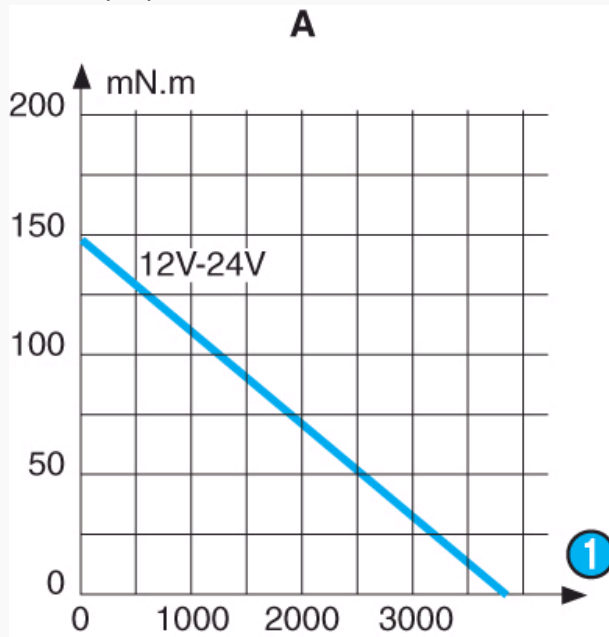
82740001 - 82740002



N°	Legend
①	2 solder tags 4.75 x 0.5 mm
②	2 holes M3 : screw depth max. 3 mm

Curves

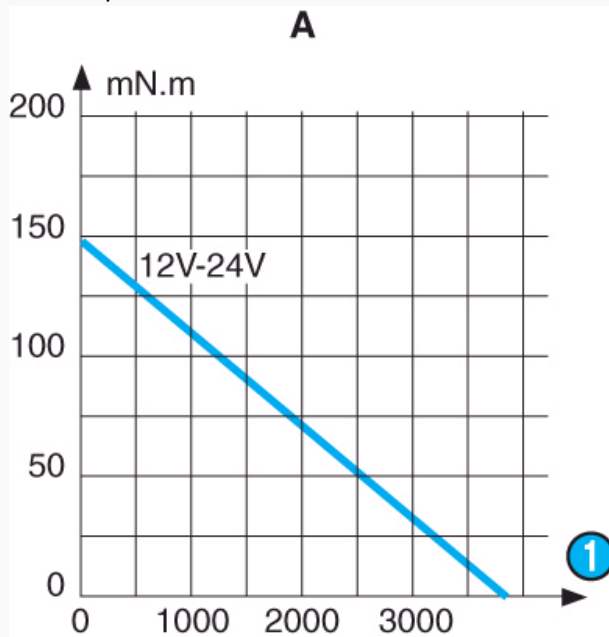
Curve : torque/speed 827400



N°	Legend
①	rpm

Curves

Curve : torque/current 827400



Product adaptations



- Encoder with different number of pulses per revolution
- Push-fit pinion
- Additional connectors