

MOLEX P/N	LENGTH	TOLERANCE (mm)	AWG	IMPEDANCE	EE SPEC	LABEL CONTEXT
2079912001	300mm	±10	32	100 OHMS	SAS 4.0	SAS4.0 100 Ohm
2079912002	1000mm	±15	32	100 OHMS	SAS 4.0	SAS4.0 100 Ohm
2079912003	500mm	±10	32	100 OHMS	SAS 4.0	SAS4.0 100 Ohm
2079912301	300mm	±10	32	100 OHMS	SAS 3.0	SAS3.0 100 Ohm
2079912302	1000mm	±15	32	100 OHMS	SAS 3.0	SAS3.0 100 Ohm
2079932001	300mm	±10	32	85 OHMS	PCIe 4.0	PCIe4.0 85 Ohm
2079932002	1000mm	±15	32	85 OHMS	PCIe 4.0	PCIe4.0 85 Ohm
2079932003	500mm	±10	32	85 OHMS	PCIe 4.0	PCIe4.0 85 Ohm

NOTES:
 1. MATERIAL:
 HOUSING - PC 94V-0 BLACK
 LATCH - STAINLESS STEEL
 EXPANDO - PET
 CABLE - SHIELD: ALUMNINIZED POLYESTER FOIL
 - SIGNAL PAIR : SILVER-COATED COPPER
 - DRAIN: TIN-COATED COPPER
 - CONFORMS TO VW1
 PCB - FR4 (HALOGEN FREE)
 2. THIS PRODUCT CONFORMS TO THE MECHANICAL DIMENSIONING OF SFF-8654
 3. RoHS COMPLIANT. NO EXEMPTIONS

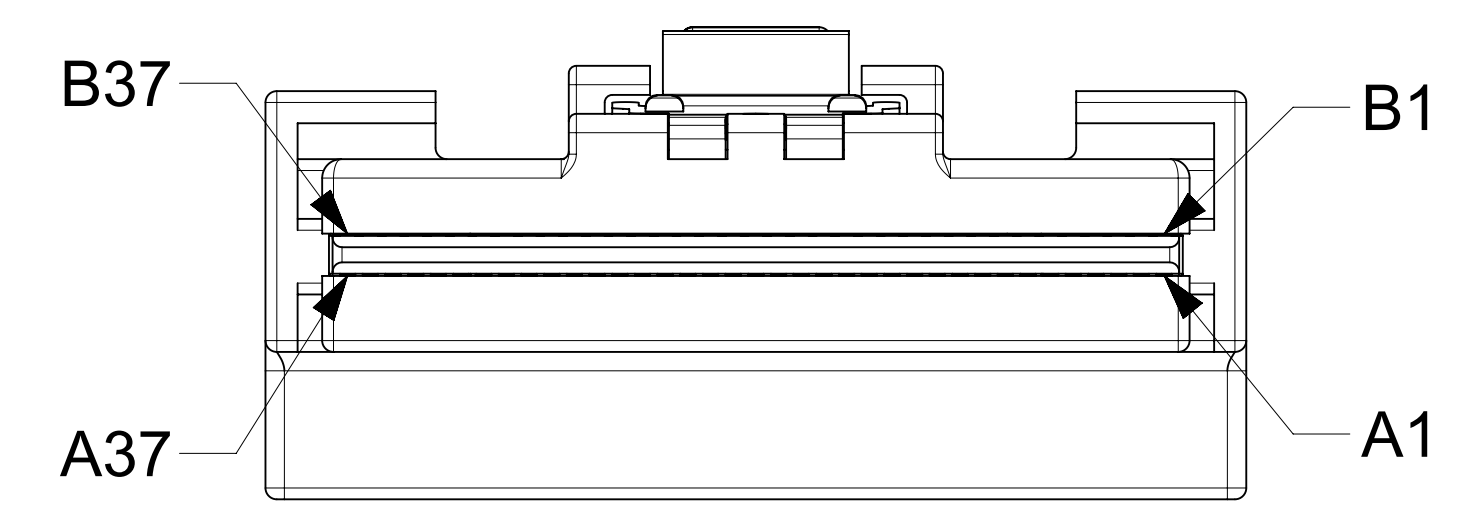
FUNCTIONAL SYMBOLS $\nabla_A = 0$ $\nabla_E = 0$ $\nabla_P = 0$ DIVISIONAL SYMBOLS	THIS DRAWING CONTAINS INFORMATION THAT IS PROPRIETARY TO MOLEX ELECTRONIC TECHNOLOGIES, LLC AND SHOULD NOT BE USED WITHOUT WRITTEN PERMISSION		CURRENT REV DESC:		
	DIMENSION UNITS	SCALE	EC NO: 656475		
	mm	5:1	DRWN: AMRUTH 2021/02/24		
	GENERAL TOLERANCES (UNLESS SPECIFIED)		CHK'D: VPENG01 2021/02/24		
ANGULAR TOL ± 3.0°		APPR: VPENG01 2021/02/24		PRODUCT CUSTOMER DRAWING	
4 PLACES ±		INITIAL REVISION:		DOCUMENT NUMBER	
3 PLACES ± 0.2		DRWN: LOU01 2018/06/28		2079912000	
2 PLACES ± 0.3		APPR: VPENG01 2018/08/13		PSD 000 D	
1 PLACE ± 0.4		DRAFT WHERE APPLICABLE MUST REMAIN WITHIN DIMENSIONS		SHEET NUMBER	
0 PLACES ±		THIRD ANGLE PROJECTION		1 OF 3	
D-DRAWING		SERIES		CUSTOMER	
D-D-SIZE		207991		GENERAL MARKET	

PINOUT DIAGRAM

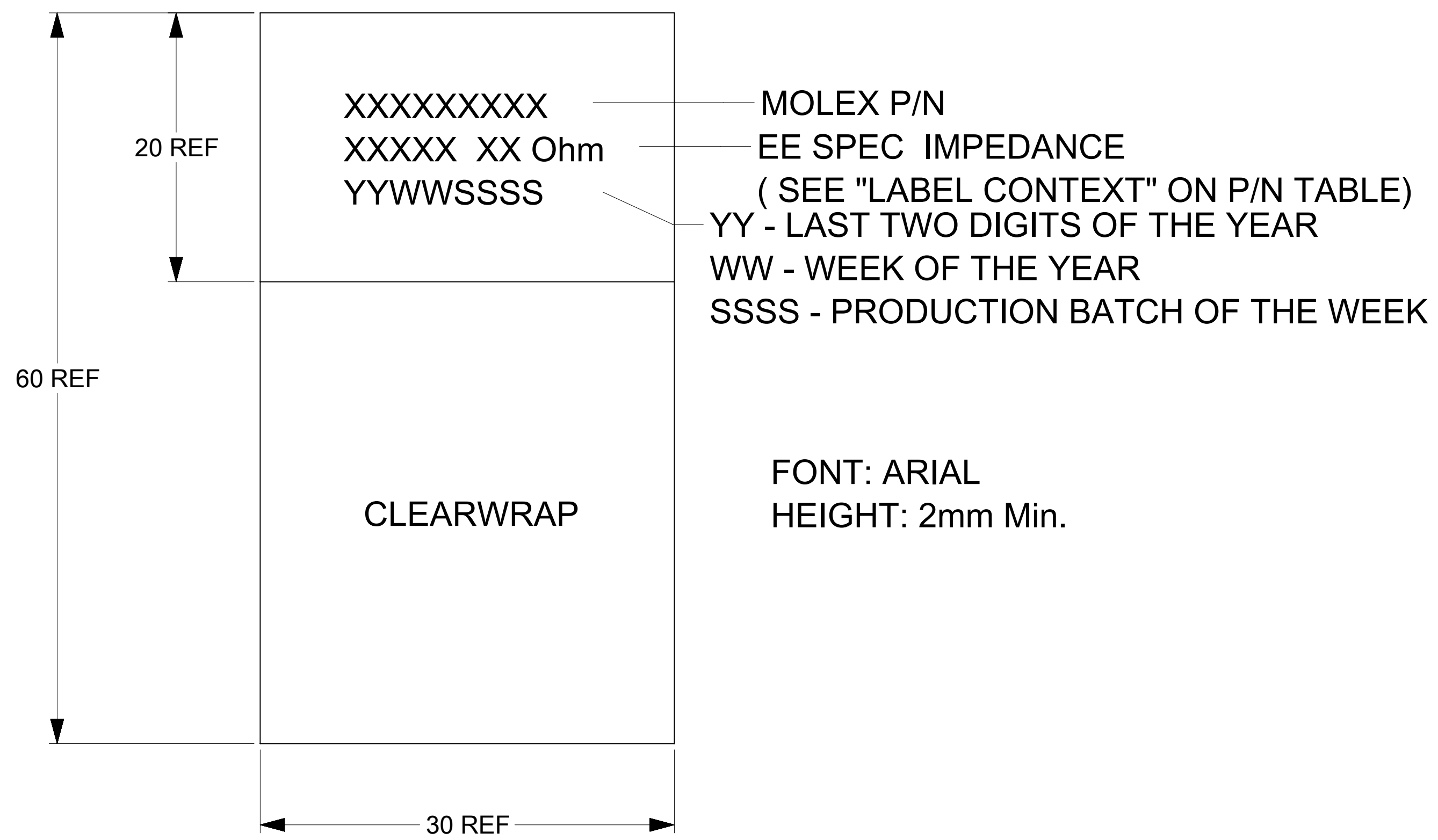
P1		SIGNAL TYPE	P2		P1		SIGNAL TYPE	P2	
GND	A1	—	B1	GND	GND	B1	—	A1	GND
RX0+	A2	←	B2	TX0+	TX0+	B2	→	A2	RX0+
RX0-	A3	←	B3	TX0-	TX0-	B3	→	A3	RX0-
GND	A4	—	B4	GND	GND	B4	—	A4	GND
RX1+	A5	←	B5	TX1+	TX1+	B5	→	A5	RX1+
RX1-	A6	←	B6	TX1-	TX1-	B6	→	A6	RX1-
GND	A7	—	B7	GND	GND	B7	—	A7	GND
SB	A8	↔	B8	SB	SB	B8	↔	A8	SB
SB	A9	↔	B9	SB	SB	B9	↔	A9	SB
SB	A10	↔	B10	SB	SB	B10	↔	A10	SB
SB	A11	↔	B11	SB	SB	B11	↔	A11	SB
SB	A12	↔	B12	SB	SB	B12	↔	A12	SB
GND	A13	—	B13	GND	GND	B13	—	A13	GND
RX2+	A14	←	B14	TX2+	TX2+	B14	→	A14	RX2+
RX2-	A15	←	B15	TX2-	TX2-	B15	→	A15	RX2-
GND	A16	—	B16	GND	GND	B16	—	A16	GND
RX3+	A17	←	B17	TX3+	TX3+	B17	→	A17	RX3+
RX3-	A18	←	B18	TX3-	TX3-	B18	→	A18	RX3-
GND	A19	—	B19	GND	GND	B19	—	A19	GND
RX4+	A20	←	B20	TX4+	TX4+	B20	→	A20	RX4+
RX4-	A21	←	B21	TX4-	TX4-	B21	→	A21	RX4-
GND	A22	—	B22	GND	GND	B22	—	A22	GND
RX5+	A23	←	B23	TX5+	TX5+	B23	→	A23	RX5+
RX5-	A24	←	B24	TX5-	TX5-	B24	→	A24	RX5-
GND	A25	—	B25	GND	GND	B25	—	A25	GND
SB	A26	↔	B26	SB	SB	B26	↔	A26	SB
SB	A27	↔	B27	SB	SB	B27	↔	A27	SB
SB	A28	↔	B28	SB	SB	B28	↔	A28	SB
SB	A29	↔	B29	SB	SB	B29	↔	A29	SB
SB	A30	↔	B30	SB	SB	B30	↔	A30	SB
GND	A31	—	B31	GND	GND	B31	—	A31	GND
RX6+	A32	←	B32	TX6+	TX6+	B32	→	A32	RX6+
RX6-	A33	←	B33	TX6-	TX6-	B33	→	A33	RX6-
GND	A34	—	B34	GND	GND	B34	—	A34	GND
RX7+	A35	←	B35	TX7+	TX7+	B35	→	A35	RX7+
RX7-	A36	←	B36	TX7-	TX7-	B36	→	A36	RX7-
GND	A37	—	B37	GND	GND	B37	—	A37	GND

→ = TRANSMIT TO RECEIVE ON HIGH SPEED CIRCUITS
 — = GND
 ↔ = SIDEBAND
 NOTE: ALL SIGNAL GROUND ARE BUSSED IN PCB.

P1 P2



LABEL DETAIL



FUNCTIONAL SYMBOLS	THIS DRAWING CONTAINS INFORMATION THAT IS PROPRIETARY TO MOLEX ELECTRONIC TECHNOLOGIES, LLC AND SHOULD NOT BE USED WITHOUT WRITTEN PERMISSION			CURRENT REV DESC:			
	DIMENSION UNITS	SCALE					
FA = 0	mm	1:1		EC NO: 656475			
FE = 0	GENERAL TOLERANCES (UNLESS SPECIFIED)			DRWN: AMRUTH	2021/02/24		
FP = 0	ANGULAR TOL ± 3.0°			CHK'D: VPENG01	2021/02/24		
DIVISIONAL SYMBOLS	4 PLACES	±		APPR: VPENG01	2021/02/24		
	3 PLACES	±	0.2	INITIAL REVISION:			
	2 PLACES	±	0.3	DRWN: LOU01	2018/06/28		
	1 PLACE	±	0.4	APPR: VPENG01	2018/08/13		
0 PLACES	±						
DRAFT WHERE APPLICABLE MUST REMAIN WITHIN DIMENSIONS		THIRD ANGLE PROJECTION	DRAWING	SERIES	MATERIAL NUMBER	CUSTOMER	SHEET NUMBER
			D-SIZE	207991	SEE P/N TABLE	GENERAL MARKET	2 OF 3

REVISION HISTORY			
DATE	REV	DESCRIPTION	ENGINEER
2021/02/18	C	SHEET 1: ADDED P/N 2079912003 AND ITS DETAILS IN THE P/N TABLE.	AMRUTH
2021/02/24	D	SHEET 1: ADDED P/N 2079932003 AND ITS DETAILS IN THE P/N TABLE.	AMRUTH

THIS DRAWING CONTAINS INFORMATION THAT IS PROPRIETARY TO MOLEX ELECTRONIC TECHNOLOGIES, LLC AND SHOULD NOT BE USED WITHOUT WRITTEN PERMISSION									
DIMENSION UNITS mm	SCALE 1:1	CURRENT REV DESC:			molex				
GENERAL TOLERANCES (UNLESS SPECIFIED)		EC NO: 656475							
ANGULAR TOL ± 3.0°		DRWN: AMRUTH 2021/02/24			SLIMSAS 8X RAD TO RAD CABLE ASSY.				
4 PLACES ±		CHK'D: VPENG01 2021/02/24							
3 PLACES ± 0.2		APPR: VPENG01 2021/02/24			PRODUCT CUSTOMER DRAWING				
2 PLACES ± 0.3		INITIAL REVISION:			DOCUMENT NUMBER				
1 PLACE ± 0.4		DRWN: LOU01 2018/06/28			2079912000		DOC TYPE	DOC PART	REVISION
0 PLACES ±		APPR: VPENG01 2018/08/13			PSD		000	D	
DRAFT WHERE APPLICABLE MUST REMAIN WITHIN DIMENSIONS	THIRD ANGLE PROJECTION 	DRAWING D-SIZE	SERIES 207991	MATERIAL NUMBER SEE P/N TABLE	CUSTOMER GENERAL MARKET		SHEET NUMBER 3 OF 3		

DOCUMENT STATUS	P1	RELEASE DATE	2021/02/24	10:53:47
-----------------	----	--------------	------------	----------