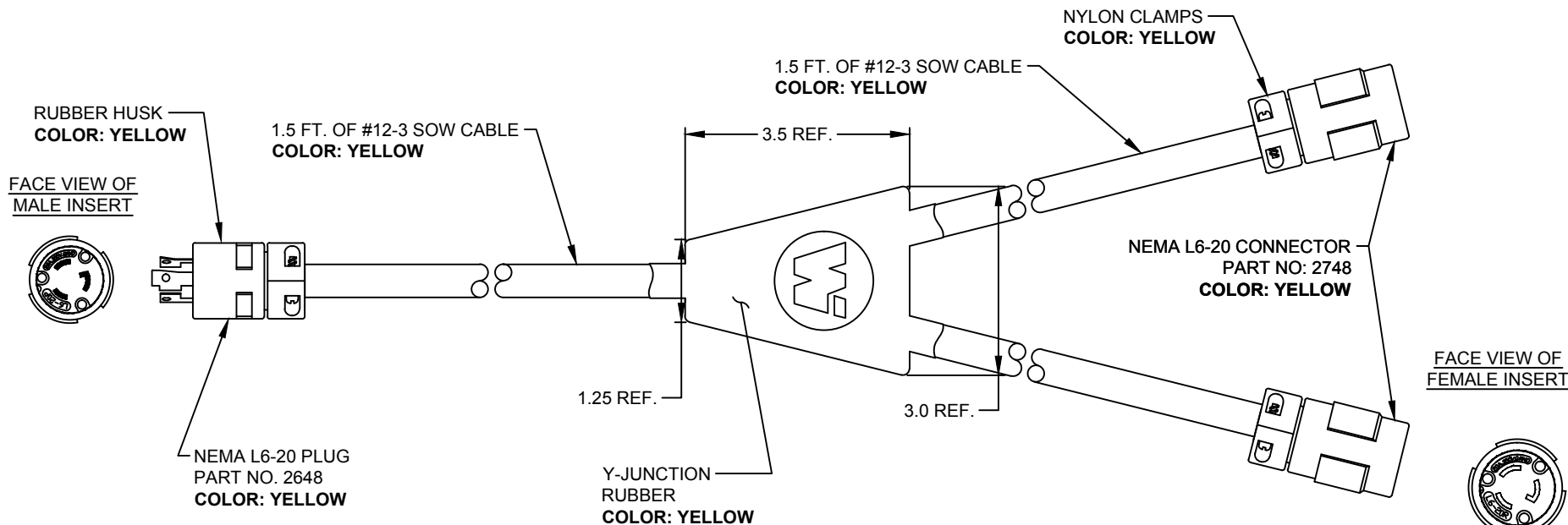


MATERIAL #	ENGR #
1301540124	2648-Y



RELEASE SALES DWG EC NO: ICG2015-1446 DRWN: HRUIZ01 2015/02/13 CHKD: HKNEELAN 2015/02/13 APPR: JFMURPHY 2015/04/27	DESCRIPTION A	QUALITY SYMBOLS	GENERAL TOLERANCES (UNLESS SPECIFIED) <table border="1"> <tr> <td></td> <td>mm</td> <td>INCH</td> </tr> <tr> <td>4 PLACES</td> <td>±---</td> <td>±---</td> </tr> <tr> <td>3 PLACES</td> <td>±---</td> <td>±.005</td> </tr> <tr> <td>2 PLACES</td> <td>±---</td> <td>±.010</td> </tr> <tr> <td>1 PLACE</td> <td>±---</td> <td>±.020</td> </tr> </table> ANGULAR ±1/2° DRAFT WHERE APPLICABLE MUST REMAIN WITHIN DIMENSIONS		mm	INCH	4 PLACES	±---	±---	3 PLACES	±---	±.005	2 PLACES	±---	±.010	1 PLACE	±---	±.020	DIMENSION STYLE INCH	SCALE NTS	DESIGN UNITS INCH	THIRD ANGLE PROJECTION
				mm	INCH																	
		4 PLACES		±---	±---																	
		3 PLACES		±---	±.005																	
2 PLACES	±---	±.010																				
1 PLACE	±---	±.020																				
<table border="1"> <tr> <td>DRAWN BY</td> <td>DATE</td> </tr> <tr> <td>HRUIZ01</td> <td>2015/02/13</td> </tr> <tr> <td>CHECKED BY</td> <td>DATE</td> </tr> <tr> <td>HKNEELAN</td> <td>2015/02/13</td> </tr> <tr> <td>APPROVED BY</td> <td>DATE</td> </tr> <tr> <td>JFMURPHY</td> <td>2015/04/27</td> </tr> </table>	DRAWN BY	DATE	HRUIZ01	2015/02/13	CHECKED BY	DATE	HKNEELAN	2015/02/13	APPROVED BY	DATE	JFMURPHY	2015/04/27	TITLE MOLDED "Y" SPLICE 20A/250V (1) 2648 & (2) 2748		MOLEX INCORPORATED							
DRAWN BY	DATE																					
HRUIZ01	2015/02/13																					
CHECKED BY	DATE																					
HKNEELAN	2015/02/13																					
APPROVED BY	DATE																					
JFMURPHY	2015/04/27																					
MATERIAL NO. 1301540124	DOCUMENT NO. SD-130154-017	SHEET NO. 1 OF 1																				
SIZE A	THIS DRAWING CONTAINS INFORMATION THAT IS PROPRIETARY TO MOLEX INCORPORATED AND SHOULD NOT BE USED WITHOUT WRITTEN PERMISSION																					