

6

5

4

3

2

1

E

E

D

D

C

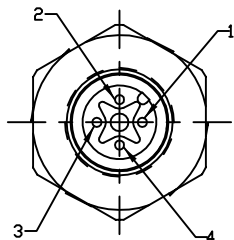
C

B

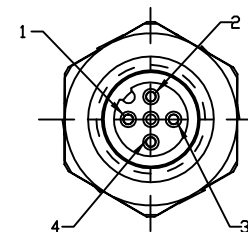
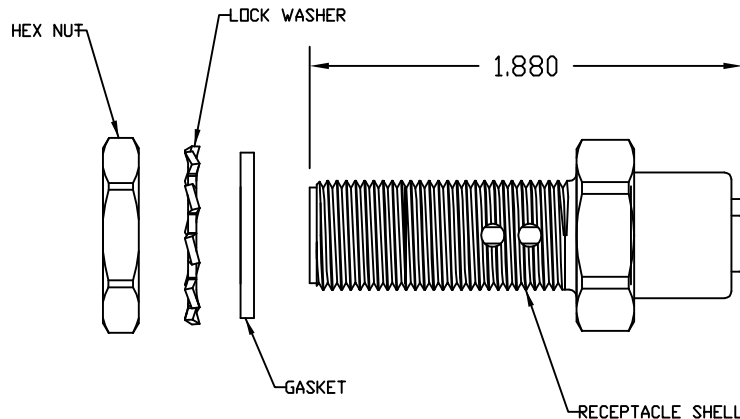
B

A

A



MALE INSERT - FACE VIEW



FEMALE INSERT - FRONT VIEW

NOTES:

MATERIALS:

- RECEPTACLE SHELL: STAINLESS STEEL OR NI PLATED BRASS
- CONTACTS: GOLD/NICKEL OVER COPPER ALLOY
- INSERTS: BLACK ZYTEL(NYLON)
- LOCKNUT: NI PLATED BRASS
- LOCKWASHER: ZINC PLATED STEEL
- GASKET: BLACK NITRILE RUBBER

ELECTRICAL:

- CURRENT RATING: 4AMP MAX
- VOLTAGE RATING: 250V

MECHANICAL:

- TEMPERATURE RANGE: -20° TO 80°C
- INGRESS PROTECTION: IP 67

AGENCY CERTIFICATIONS:

- AGENCY: CSA PENDING

PART NUMBER REFERENCE:

MATERIAL NUMBER	ENGINEERING NUMBER	SHELL MATERIAL
1200700408	8R4L301	303 STAINLESS STEEL
1200700157	8R4L30	NICKEL PLATED BRASS

ADD MAT# TO TABLE EC NO: WNA2009-0313 DRWN: LHARTMAN 2008/10/27 CHKD: YOU 2008/11/07 APPR: JFMURPHY 2008/11/10	QUALITY SYMBOLS ▽=0 ∇=0	GENERAL TOLERANCES (UNLESS SPECIFIED)		DIMENSION STYLE	SCALE	DESIGN UNITS	THIRD ANGLE PROJECTION		
			mm	INCH	----	1:1	INCH		
		4 PLACES	±----	±----	DRAWN BY	DATE	TITLE MICRO-CHANGE RECEPTACLE 4 POLE MA/FE FEED-THRU		
		3 PLACES	±----	±----	LHARTMAN	2008/10/27			
2 PLACES	±----	±----	CHECKED BY	DATE	MOLEX INCORPORATED				
1 PLACE	±----	±----	YOU	2008/10/27					
		ANGULAR ±---°	APPROVED BY	DATE	DOCUMENT NO. SD-120070-001				
DRAFT WHERE APPLICABLE MUST REMAIN WITHIN DIMENSIONS			JFMURPHY	2008/10/27				SHEET NO. 1 OF 1	
			MATERIAL NO.	SEE TABLE					
			SIZE	THIS DRAWING CONTAINS INFORMATION THAT IS PROPRIETARY TO MOLEX INCORPORATED AND SHOULD NOT BE USED WITHOUT WRITTEN PERMISSION					
			A						

6

5

4

3

2

1