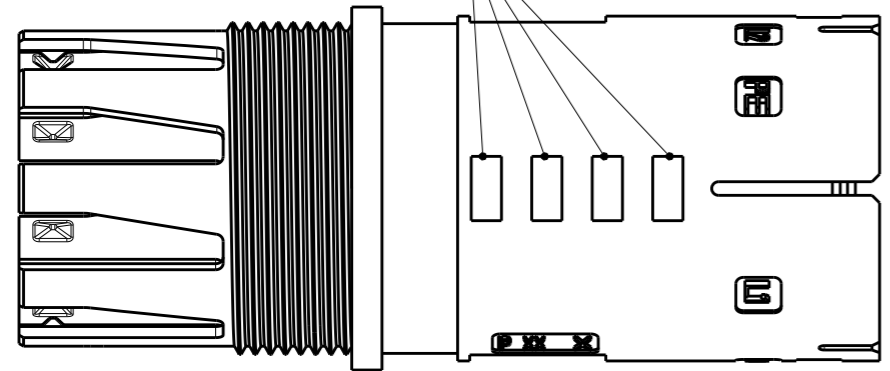
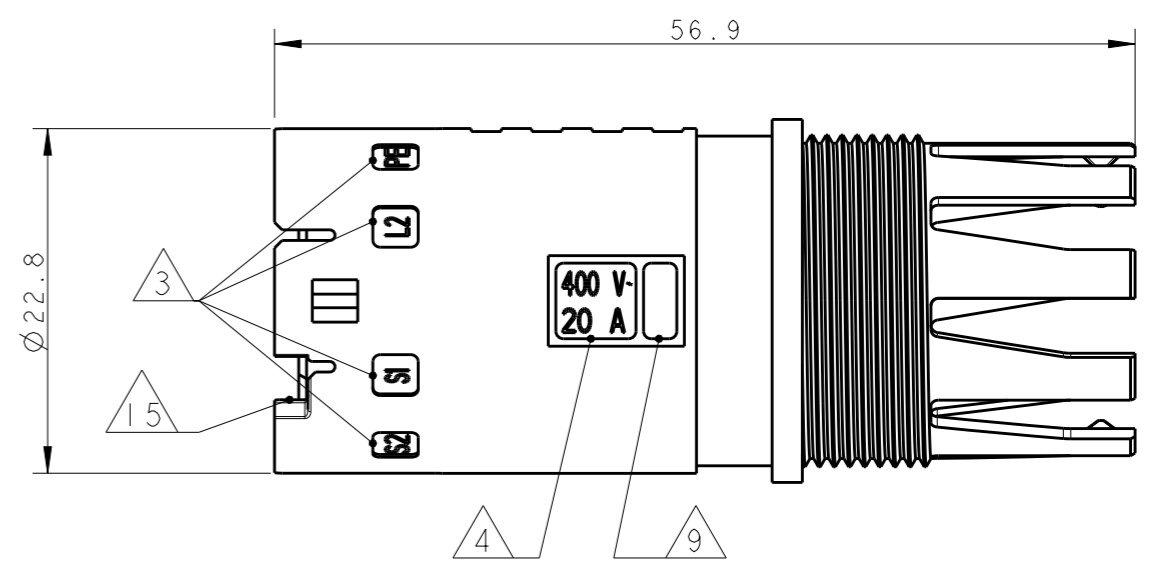
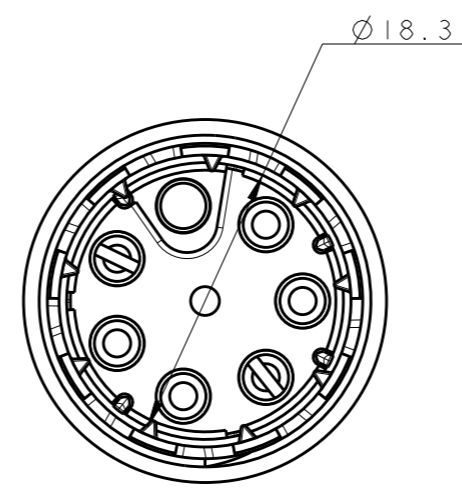
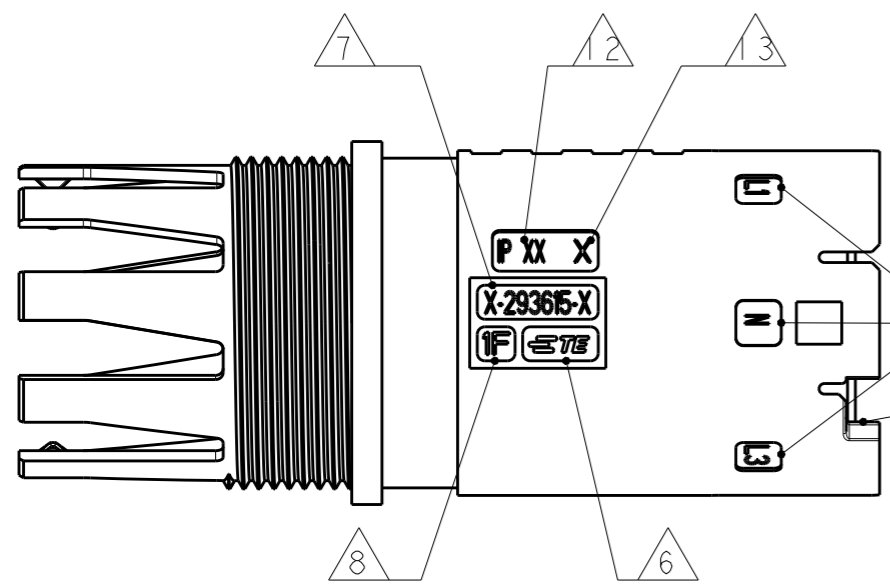


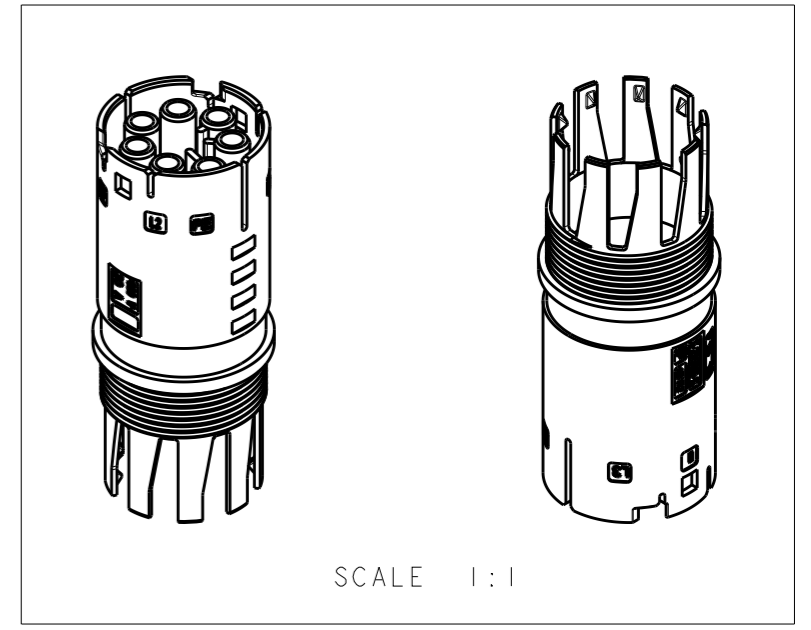
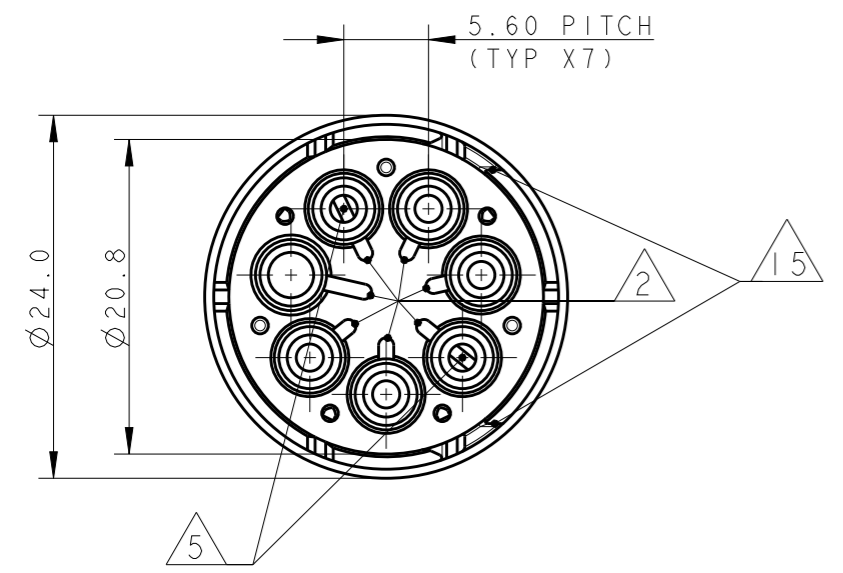
THIS DRAWING IS UNPUBLISHED. RELEASED FOR PUBLICATION 2011
 © COPYRIGHT 2011 ALL RIGHTS RESERVED.


LOC	DIST	REVISIONS				
P	LTR	DESCRIPTION	DATE	DWN	APVD	
		5	UPDATED	18JUL2013	MZ	JC
		A	PARTS RELEASED FOR PRODUCTION	12NOV2013	MZ	JC
		A1	ECR-18-006945	30MAY2018	SR	MZ



NOTES:

- 1 MATERIAL: PA GF (NATURAL AND BLACK COLOUR)
 - 2 ALL POLARIZATION KEYS SHOWN FOR REF ONLY
 - 3 WAYS I.D.
 - 4 VOLTAGE AND CURRENT RATINGS
 - 5 RIB CLOSING CAVITIES BY CHANGE OVER
 - 6 TE LOGO
 - 7 TE PART NUMBER
 - 8 DATA CODE
 - 9 AREA FOR AGENCIES APPROVAL LOGO
 - 10 VISUAL INDOCATOR FOR PE CONDUCTOR
- 11) SEE C-DRAWING 293682 (LOCKING CAP) TO GET IP 40
- 12 IP CODE
 - 13 CAVITY I.D.
 - 14 POLARISATION KEY "TYPE D" SUITABLE FOR DALI APPLICATION
 - 15 SLOTS TO ALLOW DELATCHING OPERATION. FOR DELATCHING TOOL AND OPERATION REFER TO APPLICATION SPEC.



THIS DRAWING IS A CONTROLLED DOCUMENT.		DWN M. ZUCCA 31MAR2011	 TE Connectivity	
DIMENSIONS: mm		CHK M. ZUCCA 31MAR2011		
TOLERANCES UNLESS OTHERWISE SPECIFIED:		APVD G. TURCO 31MAR2011	NAME	
0 PLC ±- 1 PLC ±0.3 2 PLC ±0.20 3 PLC ±- 4 PLC ±- ANGLES ±3°		PRODUCT SPEC -	SOCKET HOUSING FREE HANGING NECTOR M-LINE 5 POLES UNSEALED VERSION	
MATERIAL NOTE 1		FINISH -	APPLICATION SPEC -	RESTRICTED TO -
		WEIGHT -	SIZE A3	CAGE CODE 00779
			DRAWING NO C-293615	REV A1
		Customer Drawing	SCALE 2:1	SHEET 1 OF 2

THIS DRAWING IS UNPUBLISHED.

RELEASED FOR PUBLICATION

2011

© COPYRIGHT 2011

ALL RIGHTS RESERVED.

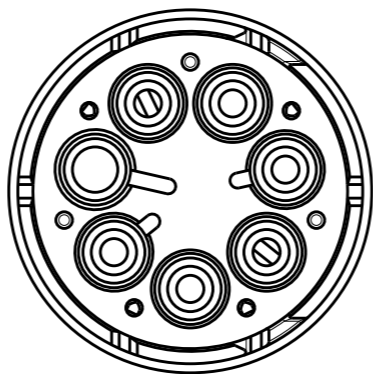
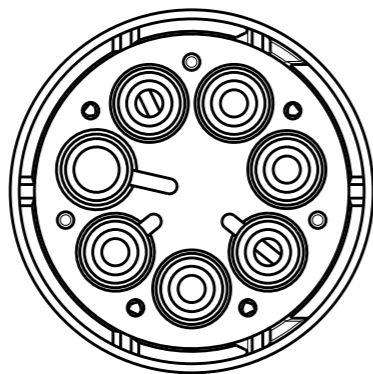
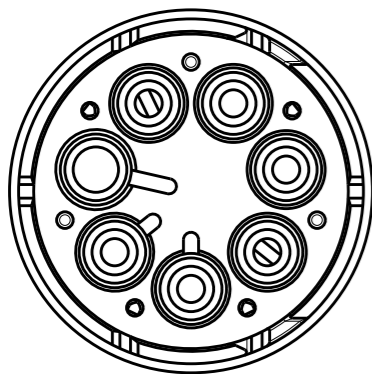
LOC	DIST	REVISIONS					
		P	LTR	DESCRIPTION	DATE	DWN	APVD
1	-	-	-	SEE SHEET 1	-	-	-

POLARIZATION TYPES

POLARIZATION TYPE "A"

POLARIZATION TYPE "B"

POLARIZATION TYPE "C"



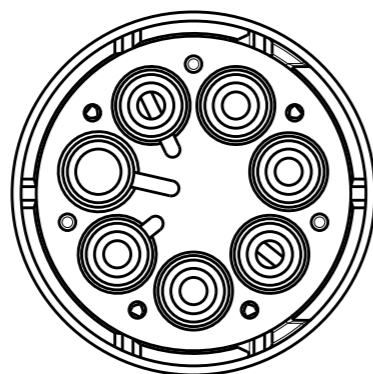
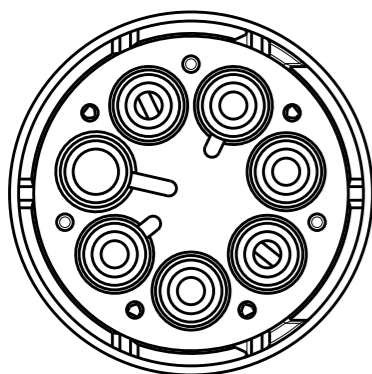
PNs 0-293615-1
AND 1-293615-1

PNs 0-293615-2
AND 1-293615-2

PNs 0-293615-3
AND 1-293615-3

POLARIZATION TYPE "D"

POLARIZATION TYPE "E"



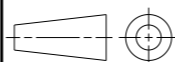
~~PNs 0-293615-4
AND 1-293615-4~~

~~PNs 0-293615-5
AND 1-293615-5~~

OBSOLETE		E	BLACK	SOCKET HOUSING FREE HANG. NECTOR* M-LINE 5 POLES	A	1-293615-5
		D	BLACK	SOCKET HOUSING FREE HANG. NECTOR* M-LINE 5 POLES	A	1-293615-4
		C	BLACK	SOCKET HOUSING FREE HANG. NECTOR* M-LINE 5 POLES	A	1-293615-3
		B	BLACK	SOCKET HOUSING FREE HANG. NECTOR* M-LINE 5 POLES	A	1-293615-2
		A	BLACK	SOCKET HOUSING FREE HANG. NECTOR* M-LINE 5 POLES	A	1-293615-1
OBSOLETE		E	NATURAL	SOCKET HOUSING FREE HANG. NECTOR* M-LINE 5 POLES	A	0-293615-5
		D	NATURAL	SOCKET HOUSING FREE HANG. NECTOR* M-LINE 5 POLES	A	0-293615-4
		C	NATURAL	SOCKET HOUSING FREE HANG. NECTOR* M-LINE 5 POLES	A	0-293615-3
		B	NATURAL	SOCKET HOUSING FREE HANG. NECTOR* M-LINE 5 POLES	A	0-293615-2
		A	NATURAL	SOCKET HOUSING FREE HANG. NECTOR* M-LINE 5 POLES	A	0-293615-1
NOTE		POL. KEYING	COLOUR	DESCRIPTION	REV.	PART NUMBER

THIS DRAWING IS A CONTROLLED DOCUMENT.

DIMENSIONS:
mm



TOLERANCES UNLESS OTHERWISE SPECIFIED:

0 PLC	±-
1 PLC	±0.3
2 PLC	±0.20
3 PLC	±-
4 PLC	±-
ANGLES	±3°

MATERIAL NOTE 1

FINISH -

DWN M. ZUCCA 31MAR2011
 CHK M. ZUCCA 31MAR2011
 APVD G. TURCO 31MAR2011

PRODUCT SPEC -
 APPLICATION SPEC -
 WEIGHT -



NAME
 SOCKET HOUSING FREE HANGING
 NECTOR M-LINE 5 POLES
 UNSEALED VERSION

SIZE	CAGE CODE	DRAWING NO	RESTRICTED TO
A300779	C-293615		-

Customer Drawing SCALE 2:1 SHEET 2 OF 2 REV A1