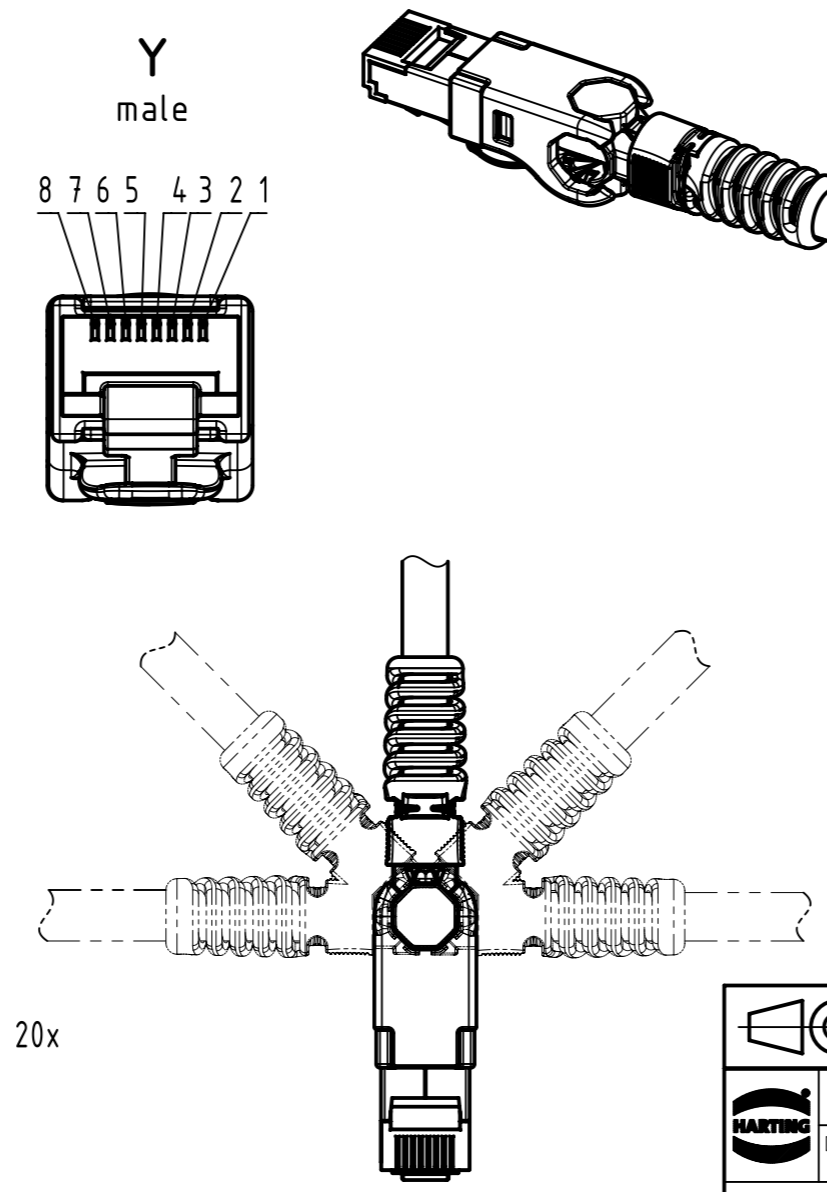
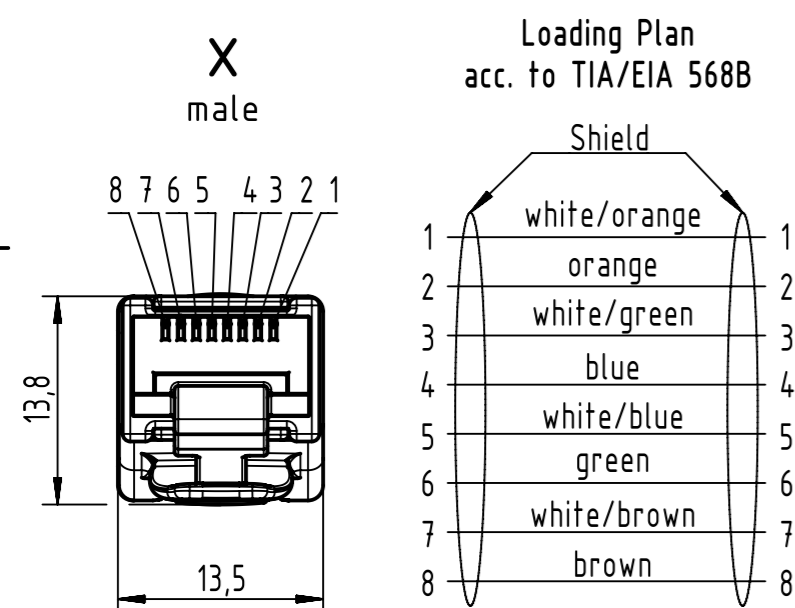
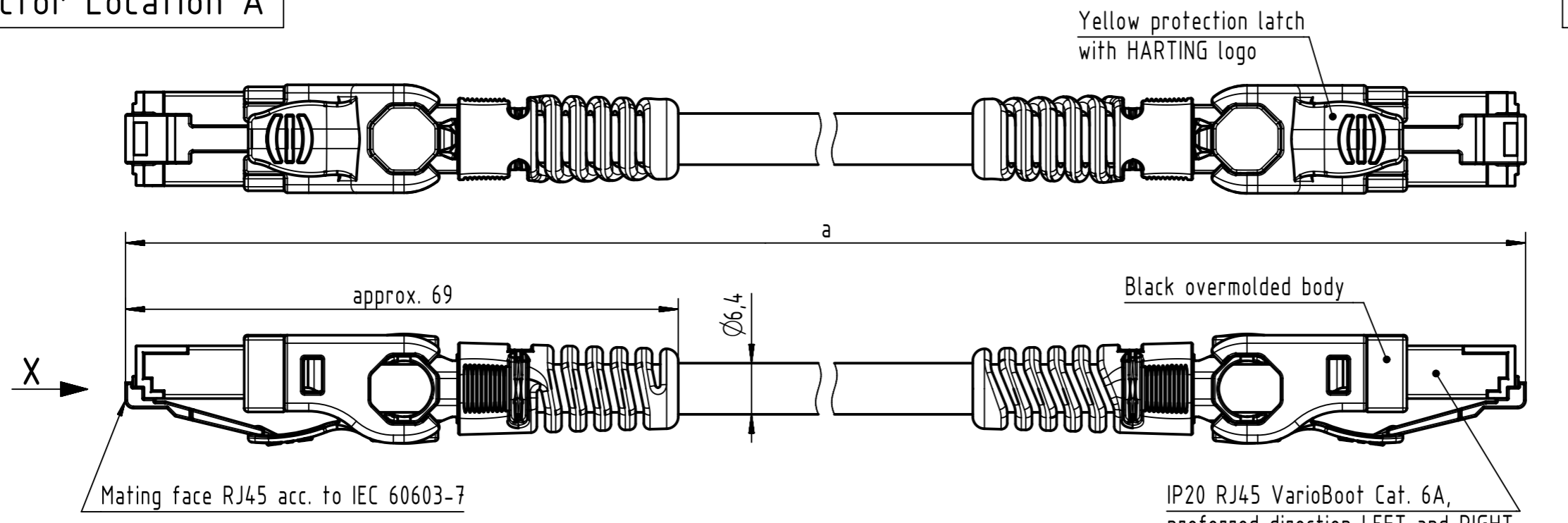


Connector Location A

Connector Location B



6.0 to 45	±1%
0.6 to 5.9	+0.04
0.2 to 0.5	+0.02
a [m]	Tolerance

length in "1m" step	45	XXX=450
	44	XXX=440
	.	.
	12	XXX=120
length in "0.1m" step	11	XXX=110
	10	XXX=100
	9.9	XXX=099
	9.8	XXX=098
	.	.
.	0.5	XXX=005
.	0.4	XXX=004
.	0.3	XXX=003
.	0.2	XXX=002
Step	a [m]	XXX

4x2xAWG 26/7, S/FTP, PUR, Cat.7, yellow

Type of cable

09488585745XXX

Part no.

NOTE:
- Direction of the cable outlet can be changed up to 20x

Temperature range:
- Fixed installation: -30°C ... +75°C
- Dynamic installation: -5°C ... +50°C

	All rights reserved	Created by BANIUD Banciu	Inspected by COSTEA Costea	Standardisation MUNTEANV Muntean	Date 2020-04-06	State Final Release
	Department HCS - RO	Title VarioBoot RJ45 Cat.6A LaR cable		Doc-Key / ECM-Nr. 100796008/UGD/000/D 500000170403		
HARTING Customised Solutions D-32339 Espelkamp		Type TB	Number 09488585745XXX		Rev. D	Page 1/1