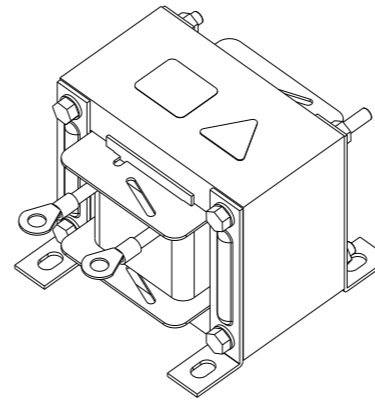
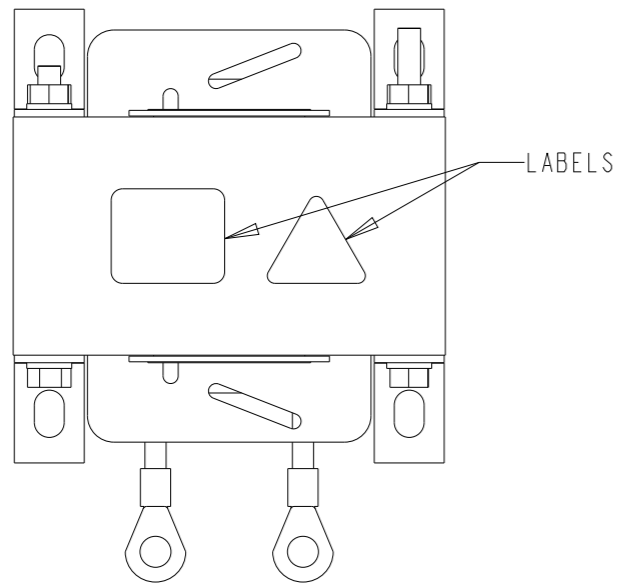


REVISIONS

P	LTR	DESCRIPTION	DATE	DWN	APVD
	A	RELEASED FOR PRODUCTION	10FEB2023	DM	CB
	AI	ADDING PRODUCT DATA	07MAR2023	DM	CB



NOMINAL OPERATING VOLTAGE (VAC)	230
RATED OPERATING VOLTAGE (VAC)	250
FREQUENCY (Hz)	50 / 60
RATED CURRENT (AMPS)	45
OP. TEMP. RANGE @ RATED CURRENT	-45°C to +45°C
RATED POWER @ 230VAC (kW)	9.32
RATED POWER @ 230VAC (HP)	12.49
IMPEDANCE @ 230VAC (%)	4
INDUCTANCE, NOMINAL (mH)	0.651
POWER OVERLOAD, 1 MINUTE EVERY HOUR	1.6
VOLTAGE WITHSTAND 1 MINUTE (kVAC)	2
POLLUTION DEGREE	PD2
COOLING	NATURAL
PROTECTION CLASS	IP00
INSULATION CLASS	N
STORAGE TEMPERATURE RANGE (°C)	-45°C to +100°C
CLIMATIC CATEGORY	45/100/21
DESIGN CORRESPONDING TO	EN61558-2-20, EN60076-6, UL61800-5-1

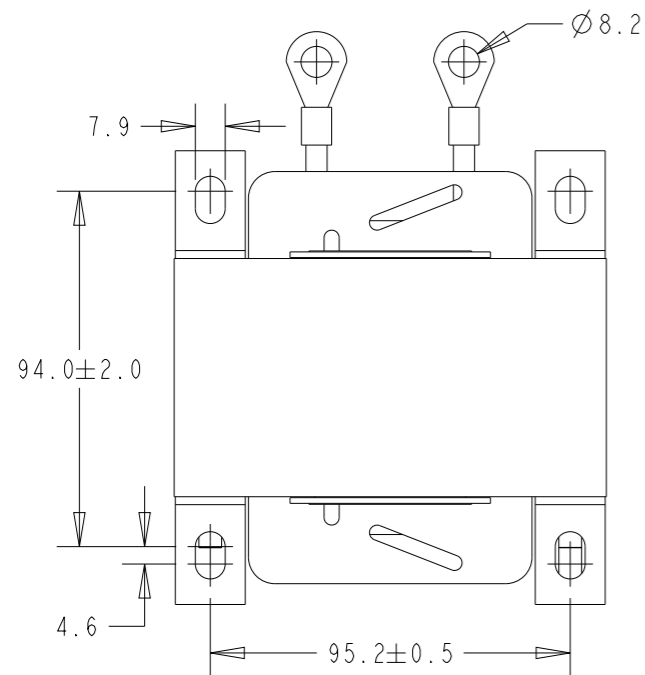
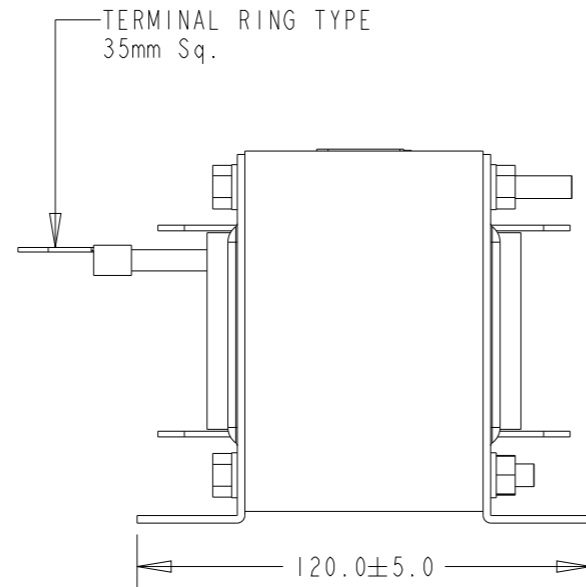
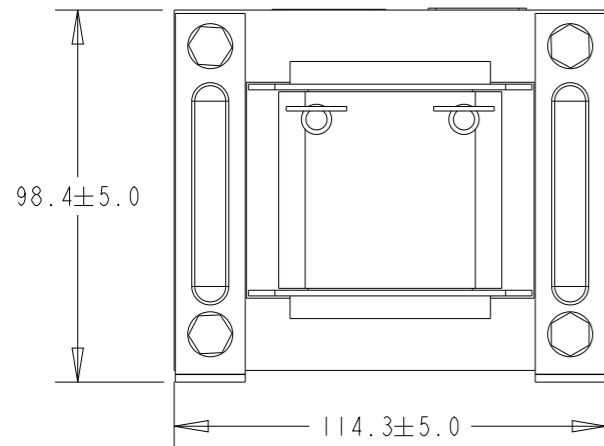
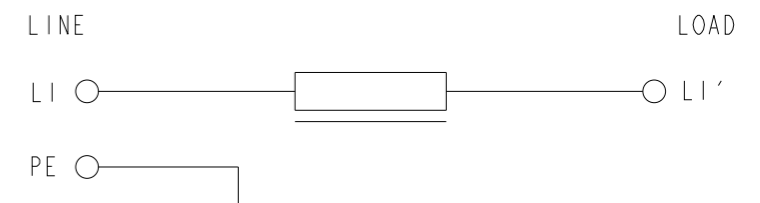
PRODUCT DESIGN NOTE

DESIGN IN ACCORDANCE WITH UL 508

DE-RATING FORMULAE FOR OPERATION ABOVE 45°C AMBIENT CONDITIONS:

$$I = I_n \sqrt{\frac{100 - T_{a\ new}}{100 - 45}}$$

TYPICAL CIRCUIT DIAGRAM



ROHS COMPLIANT

THIS DRAWING IS A CONTROLLED DOCUMENT.		DWN	C.BOLLE	05OCT2022		TE Connectivity			
DIMENSIONS: mm		CHK	C.BOLLE	05OCT2022					
TOLERANCES UNLESS OTHERWISE SPECIFIED:		APVD	L.RAJ	05OCT2022					
0 PLC ±- 1 PLC ±0.1 2 PLC ±0.01 3 PLC ±0.001 4 PLC ±0.0001 ANGLES ±-		PRODUCT SPEC	NAME				RPO-1-45	SINGLE LINE REACTOR	
MATERIAL		APPLICATION SPEC		SIZE		CAGE CODE	DRAWING NO	RESTRICTED TO	
-		-		A3		00779	©-1-2432408-2	-	
-		FINISH		CUSTOMER DRAWING		SCALE	1:1	SHEET 1 OF 1	REV AI