



2 dBi MultiBand Blade Mobile Antenna 824-2,500 MHz RP-SMA Connector

Antennas Technical Data Sheet

PE51GM1002

Features

- 3-Meter Cable with RP-SMA Plug Connector
- Broad Band Coverage for Many Applications
- Low Profile Mounting Options Using Double-Backed Foam Tape

Applications

- Cellular and Data Band Applications
- 900 MHz ISM Band
- 1710-2200 MHz and 2400-2500 MHz
- GSM/PCS/UMTS
- LPWAN, LoRA, LTE-M, NB-IoT, IoT, M2M
- Multi-Band GSM/PCS and Data Antenna

Description

The Pasternack PE51GM1002 compact UMTS/WLAN Tri-Band 2dBi glass mounted omnidirectional antenna provides broad coverage and is designed to operate in 824-960MHz, 1710-2200MHz and 2400MHz bands. The reverse polarity SMA male PE51GM1002 with 3 meter pigtail is ideally suited for GSM, ISM, WLAN, RFID, UMTS, PCS and other cellular radio wireless applications.

The compact size of the PE51GM1002 from Pasternack is ideal where omnidirectional coverage and low visibility are desired. Mobile applications including service vehicles, public transportation, law enforcement, mining and construction vehicles, as well as numerous other commercial and industrial applications, can benefit from the PE51GM1002. The foam double sided tape provides a secure and reliable mounting mechanism allowing deployment in many places. The 3-meter RG174 cable provides the user with flexible options where to place the antenna.

In addition to shipping the same day, our glass mounted antennas are high-quality components backed by expert technical support and sales personnel.

Configuration

Design	Mobile
Application Band	RFID LPWAN ISM Cellular WLAN
Band Type	Multi
Radiation Pattern	Omni Directional
Polarization	Vertical
Cable Type	RG174
Cable Length	118.11 in [300 cm]
Connector Type	SMA Plug Reverse Polarity
Number of Ports	1

Electrical Specifications

Description	Minimum	Typical	Maximum	Units
Frequency Range	824		2500	MHz
Input VSWR			2:1	
Impedance		50		Ohms
Gain		2		dBi
Horizontal (Azimuth) Beam Width		Omnidirectional		
Input Power			10	Watts

Click the following link (or enter part number in "SEARCH" on website) to obtain additional part information including price, inventory and certifications: [2 dBi MultiBand Blade Mobile Antenna 824-2,500 MHz RP-SMA Connector PE51GM1002](#)



2 dBi MultiBand Blade Mobile Antenna 824-2,500 MHz RP-SMA Connector

Antennas Technical Data Sheet

PE51GM1002

Specifications by Band

Description	Band 1	Band 2	Band 3	Band 4	Band 5	Units
Range	824-960	1,710-2,200	2,400-2,500			MHz
Gain	2	2	2			dBi
Horizontal Beam Width	360	360	360			Degrees
Maximum Input Power	10	10	10			Watts

Mechanical Specifications

Size

Overall Length	4.53 in [115.06 mm]
Width	0.87 in [22.1 mm]
Height	0.22 in [5.59 mm]
Weight	1.17 lbs [530.7 g]

Environmental Specifications

Temperature

Operating Range	-40 to +80 deg C
-----------------	------------------

Compliance Certifications (see [product page](#) for current document)

Plotted and Other Data

Notes:

2 dBi MultiBand Blade Mobile Antenna 824-2,500 MHz RP-SMA Connector from Pasternack Enterprises has same day shipment for domestic and International orders. Our RF, microwave and millimeter wave products maintain a 99.4% availability and are part of the broadest selection in the industry.

Click the following link (or enter part number in "SEARCH" on website) to obtain additional part information including price, inventory and certifications: [2 dBi MultiBand Blade Mobile Antenna 824-2,500 MHz RP-SMA Connector PE51GM1002](#)

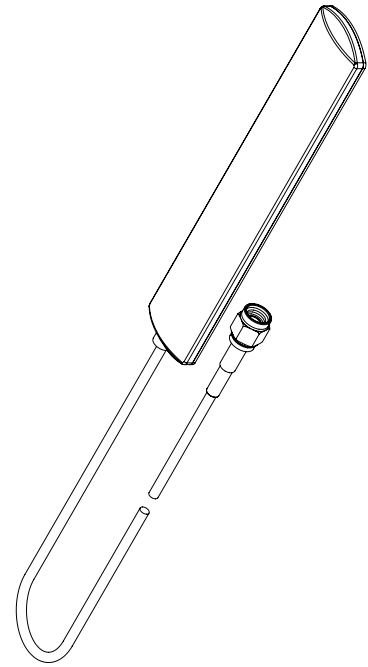
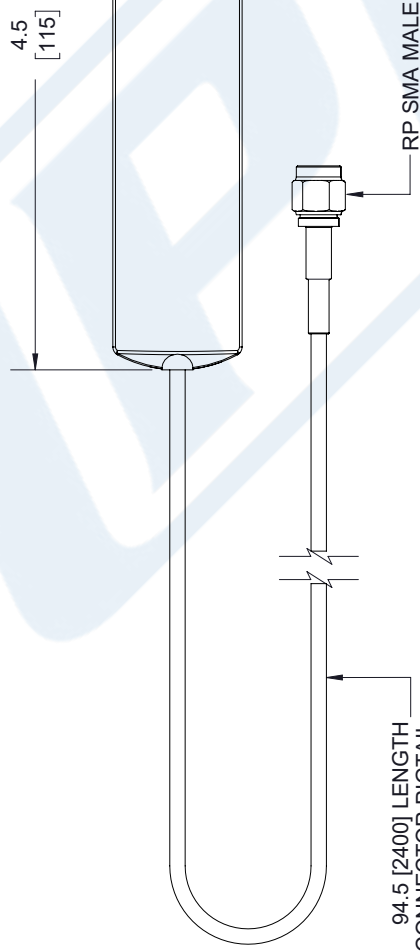
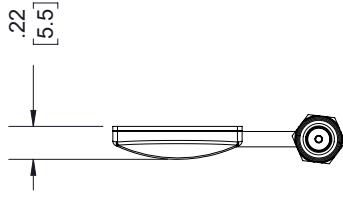
URL: <https://www.pasternack.com/multi-antenna-824-mhz-2.5-ghz-2-dbi-gain-sma-pe51gm1002-p.aspx>

The information contained in this document is accurate to the best of our knowledge and representative of the part described herein. It may be necessary to make modifications to the part and/or the documentation of the part, in order to implement improvements. Pasternack reserves the right to make such changes as required. Unless otherwise stated, all specifications are nominal. Pasternack does not make any representation or warranty regarding the suitability of the part described herein for any particular purpose, and Pasternack does not assume any liability arising out of the use of any part or documentation.

PE51GM1002 CAD Drawing

2 dBi MultiBand Blade Mobile Antenna 824-2,500 MHz RP-SMA Connector

REVISIONS			
REV.	DESCRIPTION	DATE	APPROVED
A	INITIAL RELEASE	8/6/2020	K.HIETPAS



UNLESS OTHERWISE SPECIFIED
LEADING DIMENSIONS ARE INCHES
DIMENSIONS IN [] ARE MILLIMETERS

TOLERANCES:
 .X = ±.2 [5.08] FRACTIONS ± 1/32
 .XX = ±.02 [.51] ANGLES ± 1°
 .XXX = ±.005 [.13] CABLE LENGTH (L) TOLERANCES:
 L ≤ 12 [305] = +1 [25] / -0
 12 [305] < L ≤ 60 [1524] = +2 [51] / -0
 60 [1524] < L ≤ 120 [3048] = +4 [102] / -0
 120 [3048] < L ≤ 300 [7620] = +6 [152] / -0
 300 [7620] < L = +5% / L / -0

ALL DIMENSIONS SHOWN
ARE FOR REFERENCE ONLY.



THE INFORMATION AND
DESIGN IN THIS DOCUMENT
IS THE PROPERTY OF
PASTERNAK CORPORATION
ALL RIGHTS RESERVED.

SHEET 1 OF 1
SCALE N/A



Pasternack Enterprises, Inc.
 P. O. Box 16759, Irvine, CA 92623.
 Phone: 1.949.261.1920 | 1.866.727.8376
 Fax: 1.949.261.7451
 Website: www.pasternack.com
 E-mail: sales@pasternack.com

SIZE	CAGE CODE	DRAWN BY	ITEM NO
A	53919	K.DANG	PE51GM1002

REV	REV
A	A