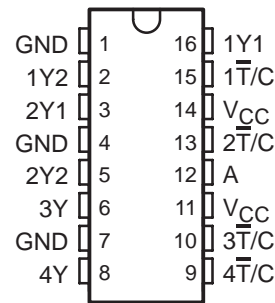


CDC328A 1-LINE TO 6-LINE CLOCK DRIVER WITH SELECTABLE POLARITY

SCAS327B – DECEMBER 1992 – REVISED NOVEMBER 1995

- Low Output Skew for Clock-Distribution and Clock-Generation Applications
- TTL-Compatible Inputs and Outputs
- Distributes One Clock Input to Six Clock Outputs
- Polarity Control Selects True or Complementary Outputs
- Distributed V_{CC} and GND Pins Reduce Switching Noise
- High-Drive Outputs ($-48\text{-mA } I_{OH}$, $48\text{-mA } I_{OL}$)
- State-of-the-Art EPIC-IIB™ BiCMOS Design Significantly Reduces Power Dissipation
- Package Options Include Plastic Small-Outline (D) and Shrink Small-Outline (DB) Packages

D OR DB PACKAGE
(TOP VIEW)



description

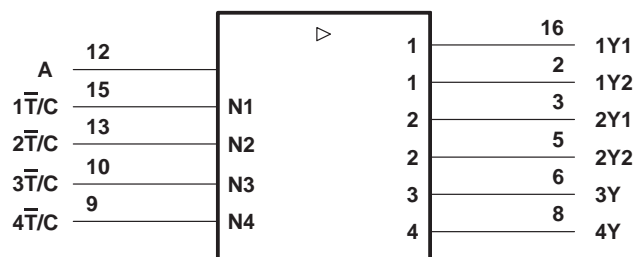
The CDC328A contains a clock-driver circuit that distributes one input signal to six outputs with minimum skew for clock distribution. Through the use of the polarity-control inputs ($\overline{T/C}$), various combinations of true and complementary outputs can be obtained.

The CDC328A is characterized for operation from -40°C to 85°C .

FUNCTION TABLE

INPUTS		OUTPUT
$\overline{T/C}$	A	Y
L	L	L
L	H	H
H	L	H
H	H	L

logic symbol†



† This symbol is in accordance with ANSI/IEEE Std 91-1984 and IEC Publication 617-12.



Please be aware that an important notice concerning availability, standard warranty, and use in critical applications of Texas Instruments semiconductor products and disclaimers thereto appears at the end of this data sheet.

EPIC-IIB is a trademark of Texas Instruments Incorporated.

PRODUCTION DATA information is current as of publication date. Products conform to specifications per the terms of Texas Instruments standard warranty. Production processing does not necessarily include testing of all parameters.

**TEXAS
INSTRUMENTS**

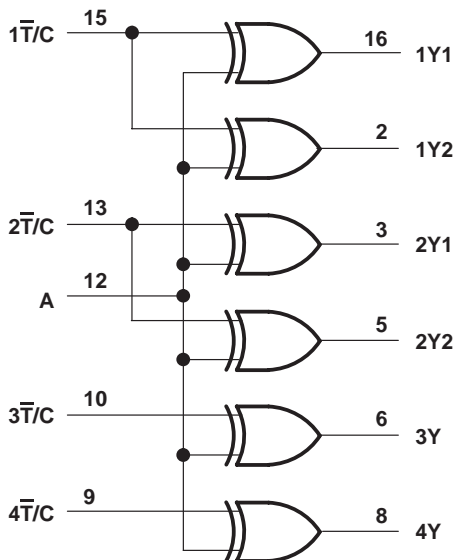
POST OFFICE BOX 655303 • DALLAS, TEXAS 75265
POST OFFICE BOX 1443 • HOUSTON, TEXAS 77251-1443

Copyright © 1995, Texas Instruments Incorporated

CDC328A
1-LINE TO 6-LINE CLOCK DRIVER
WITH SELECTABLE POLARITY

SCAS327B – DECEMBER 1992 – REVISED NOVEMBER 1995

logic diagram (positive logic)



absolute maximum ratings over operating free-air temperature range (unless otherwise noted)†

Supply voltage range, V_{CC}	-0.5 V to 7 V
Input voltage range, V_I (see Note 1)	-0.5 V to 7 V
Voltage range applied to any output in the high state or power-off state, V_O (see Note 1)	-0.5 V to $V_{CC} + 0.5$ V
Current into any output in the low state, I_O	96 mA
Input clamp current, I_{IK} ($V_I < 0$)	-18 mA
Output clamp current, I_{OK} ($V_O < 0$)	-50 mA
Maximum power dissipation at $T_A = 55^\circ\text{C}$ (in still air) (see Note 2): D package	0.77 W
DB package	0.6 W
Storage temperature range, T_{stg}	-65°C to 150°C

† Stresses beyond those listed under “absolute maximum ratings” may cause permanent damage to the device. These are stress ratings only, and functional operation of the device at these or any other conditions beyond those indicated under “recommended operating conditions” is not implied. Exposure to absolute-maximum-rated conditions for extended periods may affect device reliability.

- NOTES: 1. The input and output negative-voltage ratings may be exceeded if the input and output clamp-current ratings are observed.
 2. The maximum package power dissipation is calculated using a junction temperature of 150°C and a board trace length of 300 mils. For more information, refer to the *Package Thermal Considerations* application note in the 1994 *ABT Advanced BiCMOS Technology Data Book*, literature number SCBD002B.



CDC328A
1-LINE TO 6-LINE CLOCK DRIVER
WITH SELECTABLE POLARITY

SCAS327B – DECEMBER 1992 – REVISED NOVEMBER 1995

recommended operating conditions (see Note 3)

	MIN	NOM	MAX	UNIT
V_{CC} Supply voltage	4.75	5	5.25	V
V_{IH} High-level input voltage	2			V
V_{IL} Low-level input voltage			0.8	V
V_I Input voltage	0	V_{CC}		V
I_{OH} High-level output current			-48	mA
I_{OL} Low-level output current			48	mA
$\Delta t/\Delta v$ Input transition rise or fall rate			5	ns/V
f_{clock} Input clock frequency			100	MHz
T_A Operating free-air temperature	-40		85	°C

NOTE 3: Unused inputs must be held high or low to prevent them from floating.



CDC328A
1-LINE TO 6-LINE CLOCK DRIVER
WITH SELECTABLE POLARITY

SCAS327B – DECEMBER 1992 – REVISED NOVEMBER 1995

electrical characteristics over recommended operating free-air temperature range (unless otherwise noted)

PARAMETER	TEST CONDITIONS		MIN	TYP†	MAX	UNIT
V_{IK}	$V_{CC} = 4.75\text{ V}$,	$I_I = -18\text{ mA}$			-1.2	V
V_{OH}	$V_{CC} = 4.75\text{ V}$,	$I_{OH} = -48\text{ mA}$	2			V
V_{OL}	$V_{CC} = 4.75\text{ V}$,	$I_{OL} = 48\text{ mA}$			0.5	V
I_I	$V_{CC} = 5.25\text{ V}$,	$V_I = V_{CC}$ or GND			± 1	μA
$I_{O\ddagger}$	$V_{CC} = 5.25\text{ V}$,	$V_O = 2.5\text{ V}$	-15		-100	mA
I_{CC}	$V_{CC} = 5.25\text{ V}$, $V_I = V_{CC}$ or GND	$I_O = 0$,	Outputs high		10	mA
			Outputs low		40	
C_i	$V_I = 2.5\text{ V}$ or 0.5 V			3		pF

† All typical values are at $V_{CC} = 5\text{ V}$, $T_A = 25^\circ\text{C}$

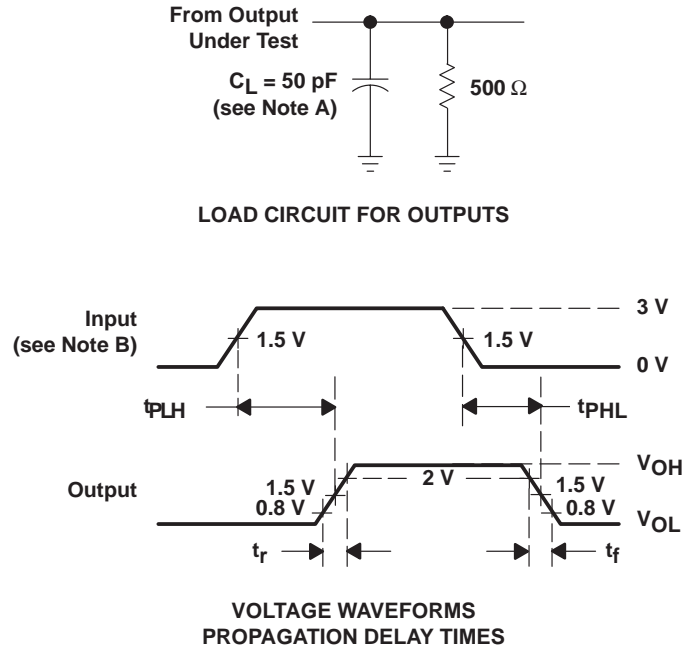
‡ Not more than one output should be tested at a time, and the duration of the test should not exceed one second.

switching characteristics over recommended ranges of supply voltage and operating free-air temperature (see Figures 1 and 2)

PARAMETER	FROM (INPUT)	TO (OUTPUT)	MIN	MAX	UNIT
t_{PLH}	A	Any Y	1.7	5	ns
t_{PHL}			1.5	5	
t_{PLH}	\bar{T}/C	Any Y	1.5	5	ns
t_{PHL}			1.4	5	
$t_{sk(o)}$	A	Any Y (same phase)		0.5	ns
		Any Y (any phase)		1	
$t_{sk(p)}$	A	Any Y		1	ns
t_r		Any Y		1.5	ns
t_f		Any Y		1.5	ns



PARAMETER MEASUREMENT INFORMATION



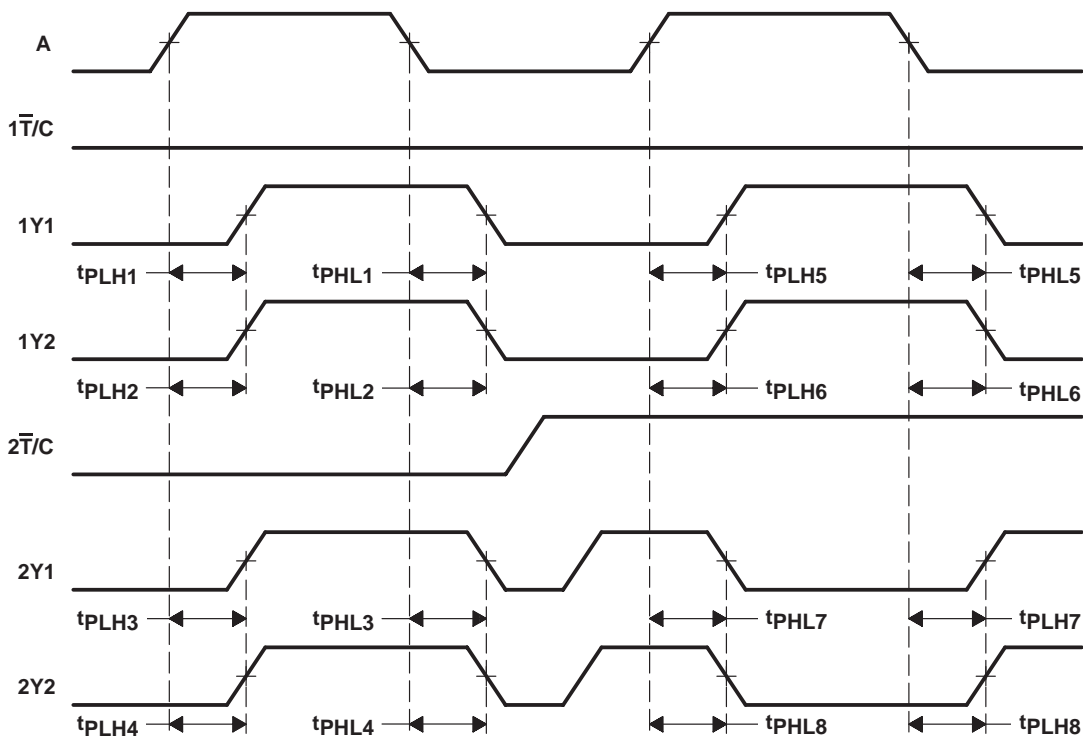
- NOTES: A. C_L includes probe and jig capacitance.
 B. All input pulses are supplied by generators having the following characteristics: $PRR \leq 10 \text{ MHz}$, $Z_O = 50 \Omega$, $t_r \leq 2.5 \text{ ns}$, $t_f \leq 2.5 \text{ ns}$.

Figure 1. Load Circuit and Voltage Waveforms

CDC328A
1-LINE TO 6-LINE CLOCK DRIVER
WITH SELECTABLE POLARITY

SCAS327B – DECEMBER 1992 – REVISED NOVEMBER 1995

PARAMETER MEASUREMENT INFORMATION



- NOTES: A. Output skew, $t_{sk(o)}$, from A to any Y (same phase), can be measured only between outputs for which the respective polarity-control inputs ($\overline{T/C}$) are at the same logic level. It is calculated as the greater of:
- The difference between the fastest and slowest of t_{PLH} from $A\uparrow$ to any Y (e.g., t_{PLHn} , $n = 1$ to 4; or t_{PLHn} , $n = 5$ to 6)
 - The difference between the fastest and slowest of t_{PHL} from $A\downarrow$ to any Y (e.g., t_{PHLn} , $n = 1$ to 4; or t_{PHLn} , $n = 5$ to 6)
 - The difference between the fastest and slowest of t_{PLH} from $A\downarrow$ to any Y (e.g., t_{PLHn} , $n = 7$ to 8)
 - The difference between the fastest and slowest of t_{PHL} from $A\uparrow$ to any Y (e.g., t_{PHLn} , $n = 7$ to 8)
- B. Output skew, $t_{sk(o)}$, from A to any Y (any phase), can be measured between outputs for which the respective polarity-control inputs ($\overline{T/C}$) are at the same or different logic levels. It is calculated as the greater of:
- The difference between the fastest and slowest of t_{PLH} from $A\uparrow$ to any Y or t_{PHL} from $A\uparrow$ to any Y (e.g., t_{PLHn} , $n = 1$ to 4; or t_{PLHn} , $n = 5$ to 6, and t_{PHLn} , $n = 7$ to 8)
 - The difference between the fastest and slowest of t_{PHL} from $A\downarrow$ to any Y or t_{PLH} from $A\downarrow$ to any Y (e.g., t_{PHLn} , $n = 1$ to 4; or t_{PHLn} , $n = 5$ to 6, and t_{PLHn} , $n = 7$ to 8)
- C. Pulse skew, $t_{sk(p)}$, is calculated as the greater of $|t_{PLHn} - t_{PHLn}|$ ($n = 1, 2, 3, 4, 5, 6, 7, 8$).

Figure 2. Waveforms for Calculation of $t_{sk(o)}$, $t_{sk(p)}$



PACKAGING INFORMATION

Orderable Device	Status (1)	Package Type	Package Drawing	Pins	Package Qty	Eco Plan (2)	Lead finish/ Ball material (6)	MSL Peak Temp (3)	Op Temp (°C)	Device Marking (4/5)	Samples
CDC328AD	ACTIVE	SOIC	D	16	40	RoHS & Green	NIPDAU	Level-1-260C-UNLIM	-40 to 85	CDC328A	Samples
CDC328ADBR	ACTIVE	SSOP	DB	16	2000	RoHS & Green	NIPDAU	Level-1-260C-UNLIM	-40 to 85	CK328A	Samples
CDC328ADBRG4	ACTIVE	SSOP	DB	16	2000	RoHS & Green	NIPDAU	Level-1-260C-UNLIM	-40 to 85	CK328A	Samples
CDC328ADG4	ACTIVE	SOIC	D	16	40	RoHS & Green	NIPDAU	Level-1-260C-UNLIM	-40 to 85	CDC328A	Samples
CDC328ADR	ACTIVE	SOIC	D	16	2500	RoHS & Green	NIPDAU	Level-1-260C-UNLIM	-40 to 85	CDC328A	Samples

(1) The marketing status values are defined as follows:

ACTIVE: Product device recommended for new designs.

LIFEBUY: TI has announced that the device will be discontinued, and a lifetime-buy period is in effect.

NRND: Not recommended for new designs. Device is in production to support existing customers, but TI does not recommend using this part in a new design.

PREVIEW: Device has been announced but is not in production. Samples may or may not be available.

OBSELETE: TI has discontinued the production of the device.

(2) **RoHS:** TI defines "RoHS" to mean semiconductor products that are compliant with the current EU RoHS requirements for all 10 RoHS substances, including the requirement that RoHS substance do not exceed 0.1% by weight in homogeneous materials. Where designed to be soldered at high temperatures, "RoHS" products are suitable for use in specified lead-free processes. TI may reference these types of products as "Pb-Free".

RoHS Exempt: TI defines "RoHS Exempt" to mean products that contain lead but are compliant with EU RoHS pursuant to a specific EU RoHS exemption.

Green: TI defines "Green" to mean the content of Chlorine (Cl) and Bromine (Br) based flame retardants meet JS709B low halogen requirements of <=1000ppm threshold. Antimony trioxide based flame retardants must also meet the <=1000ppm threshold requirement.

(3) MSL, Peak Temp. - The Moisture Sensitivity Level rating according to the JEDEC industry standard classifications, and peak solder temperature.

(4) There may be additional marking, which relates to the logo, the lot trace code information, or the environmental category on the device.

(5) Multiple Device Markings will be inside parentheses. Only one Device Marking contained in parentheses and separated by a "~" will appear on a device. If a line is indented then it is a continuation of the previous line and the two combined represent the entire Device Marking for that device.

(6) Lead finish/Ball material - Orderable Devices may have multiple material finish options. Finish options are separated by a vertical ruled line. Lead finish/Ball material values may wrap to two lines if the finish value exceeds the maximum column width.

Important Information and Disclaimer: The information provided on this page represents TI's knowledge and belief as of the date that it is provided. TI bases its knowledge and belief on information provided by third parties, and makes no representation or warranty as to the accuracy of such information. Efforts are underway to better integrate information from third parties. TI has taken and continues to take reasonable steps to provide representative and accurate information but may not have conducted destructive testing or chemical analysis on incoming materials and chemicals. TI and TI suppliers consider certain information to be proprietary, and thus CAS numbers and other limited information may not be available for release.

In no event shall TI's liability arising out of such information exceed the total purchase price of the TI part(s) at issue in this document sold by TI to Customer on an annual basis.

TAPE AND REEL INFORMATION

QUADRANT ASSIGNMENTS FOR PIN 1 ORIENTATION IN TAPE


*All dimensions are nominal

Device	Package Type	Package Drawing	Pins	SPQ	Reel Diameter (mm)	Reel Width W1 (mm)	A0 (mm)	B0 (mm)	K0 (mm)	P1 (mm)	W (mm)	Pin1 Quadrant
CDC328ADBR	SSOP	DB	16	2000	330.0	16.4	8.35	6.6	2.5	12.0	16.0	Q1
CDC328ADR	SOIC	D	16	2500	330.0	16.4	6.5	10.3	2.1	8.0	16.0	Q1

TAPE AND REEL BOX DIMENSIONS



*All dimensions are nominal

Device	Package Type	Package Drawing	Pins	SPQ	Length (mm)	Width (mm)	Height (mm)
CDC328ADBR	SSOP	DB	16	2000	356.0	356.0	35.0
CDC328ADR	SOIC	D	16	2500	350.0	350.0	43.0

TUBE


*All dimensions are nominal

Device	Package Name	Package Type	Pins	SPQ	L (mm)	W (mm)	T (μm)	B (mm)
CDC328AD	D	SOIC	16	40	505.46	6.76	3810	4
CDC328ADG4	D	SOIC	16	40	505.46	6.76	3810	4

IMPORTANT NOTICE AND DISCLAIMER

TI PROVIDES TECHNICAL AND RELIABILITY DATA (INCLUDING DATA SHEETS), DESIGN RESOURCES (INCLUDING REFERENCE DESIGNS), APPLICATION OR OTHER DESIGN ADVICE, WEB TOOLS, SAFETY INFORMATION, AND OTHER RESOURCES "AS IS" AND WITH ALL FAULTS, AND DISCLAIMS ALL WARRANTIES, EXPRESS AND IMPLIED, INCLUDING WITHOUT LIMITATION ANY IMPLIED WARRANTIES OF MERCHANTABILITY, FITNESS FOR A PARTICULAR PURPOSE OR NON-INFRINGEMENT OF THIRD PARTY INTELLECTUAL PROPERTY RIGHTS.

These resources are intended for skilled developers designing with TI products. You are solely responsible for (1) selecting the appropriate TI products for your application, (2) designing, validating and testing your application, and (3) ensuring your application meets applicable standards, and any other safety, security, regulatory or other requirements.

These resources are subject to change without notice. TI grants you permission to use these resources only for development of an application that uses the TI products described in the resource. Other reproduction and display of these resources is prohibited. No license is granted to any other TI intellectual property right or to any third party intellectual property right. TI disclaims responsibility for, and you will fully indemnify TI and its representatives against, any claims, damages, costs, losses, and liabilities arising out of your use of these resources.

TI's products are provided subject to [TI's Terms of Sale](#) or other applicable terms available either on ti.com or provided in conjunction with such TI products. TI's provision of these resources does not expand or otherwise alter TI's applicable warranties or warranty disclaimers for TI products.

TI objects to and rejects any additional or different terms you may have proposed.

Mailing Address: Texas Instruments, Post Office Box 655303, Dallas, Texas 75265
Copyright © 2022, Texas Instruments Incorporated