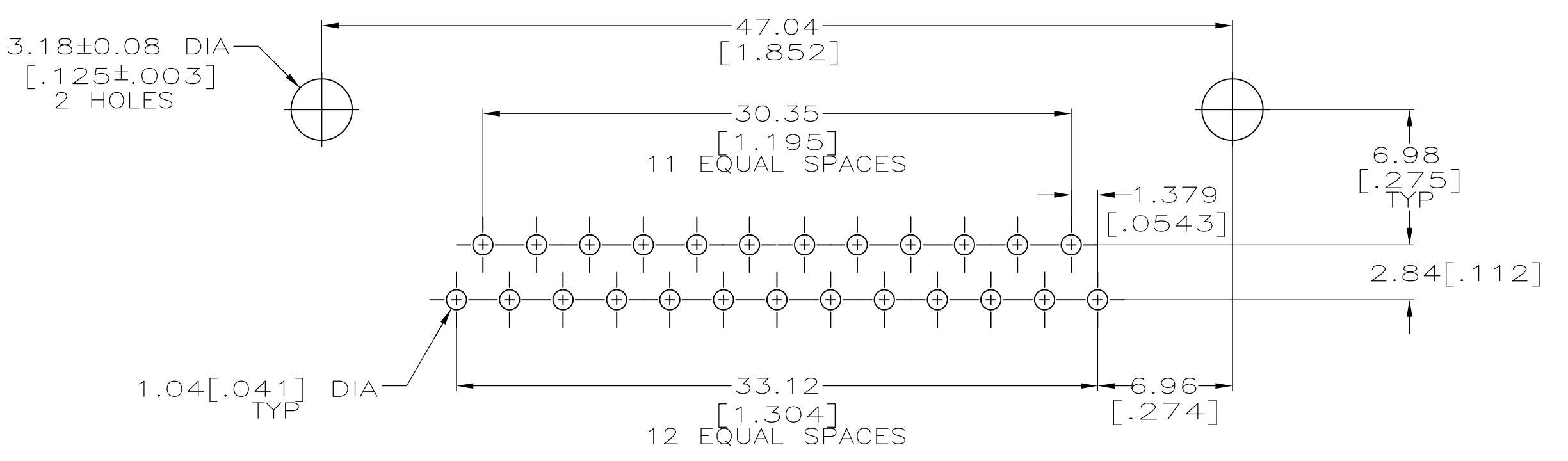
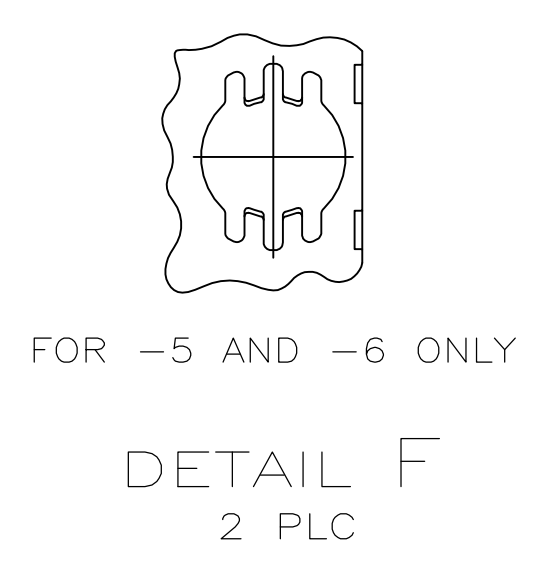
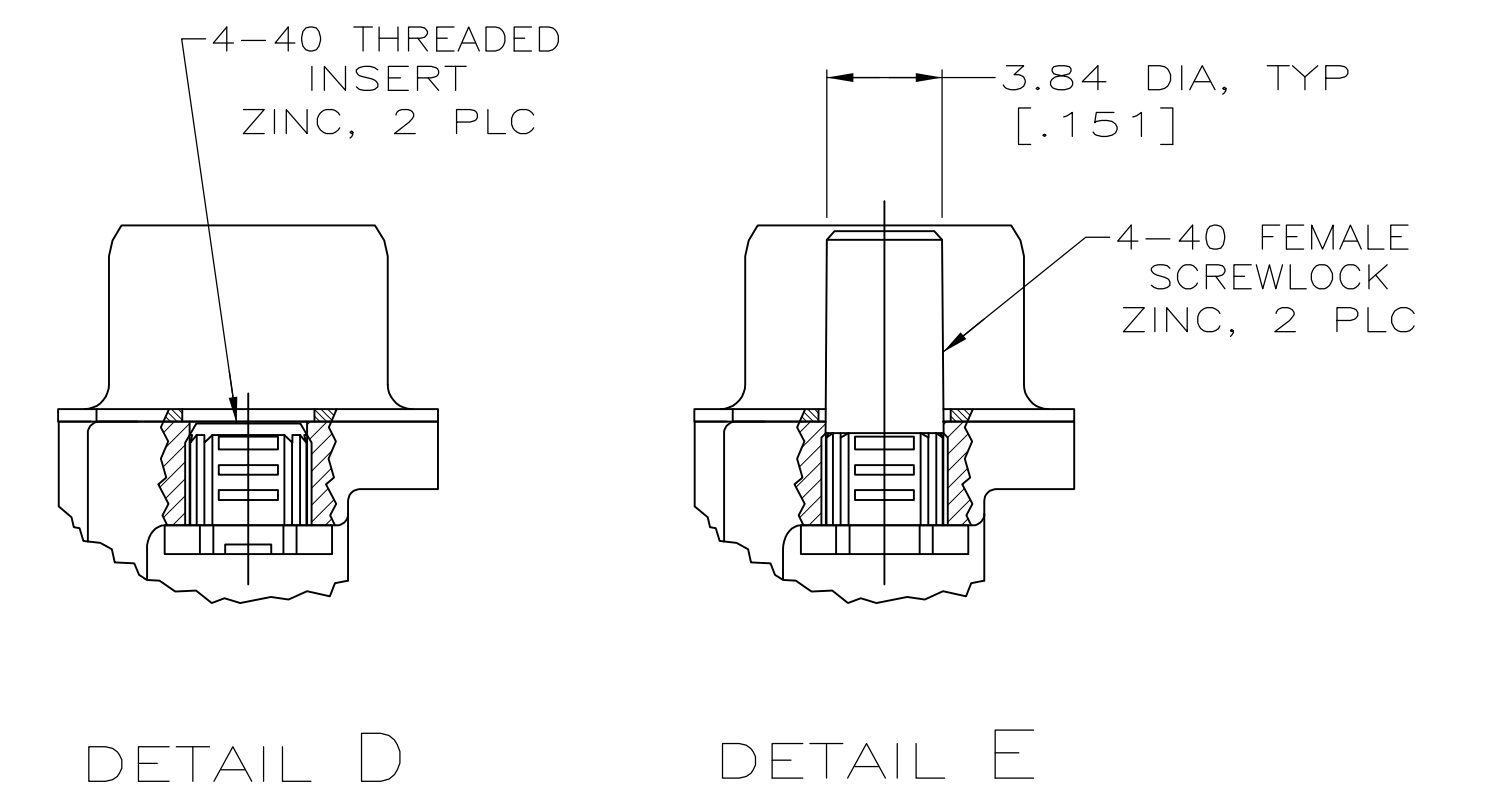
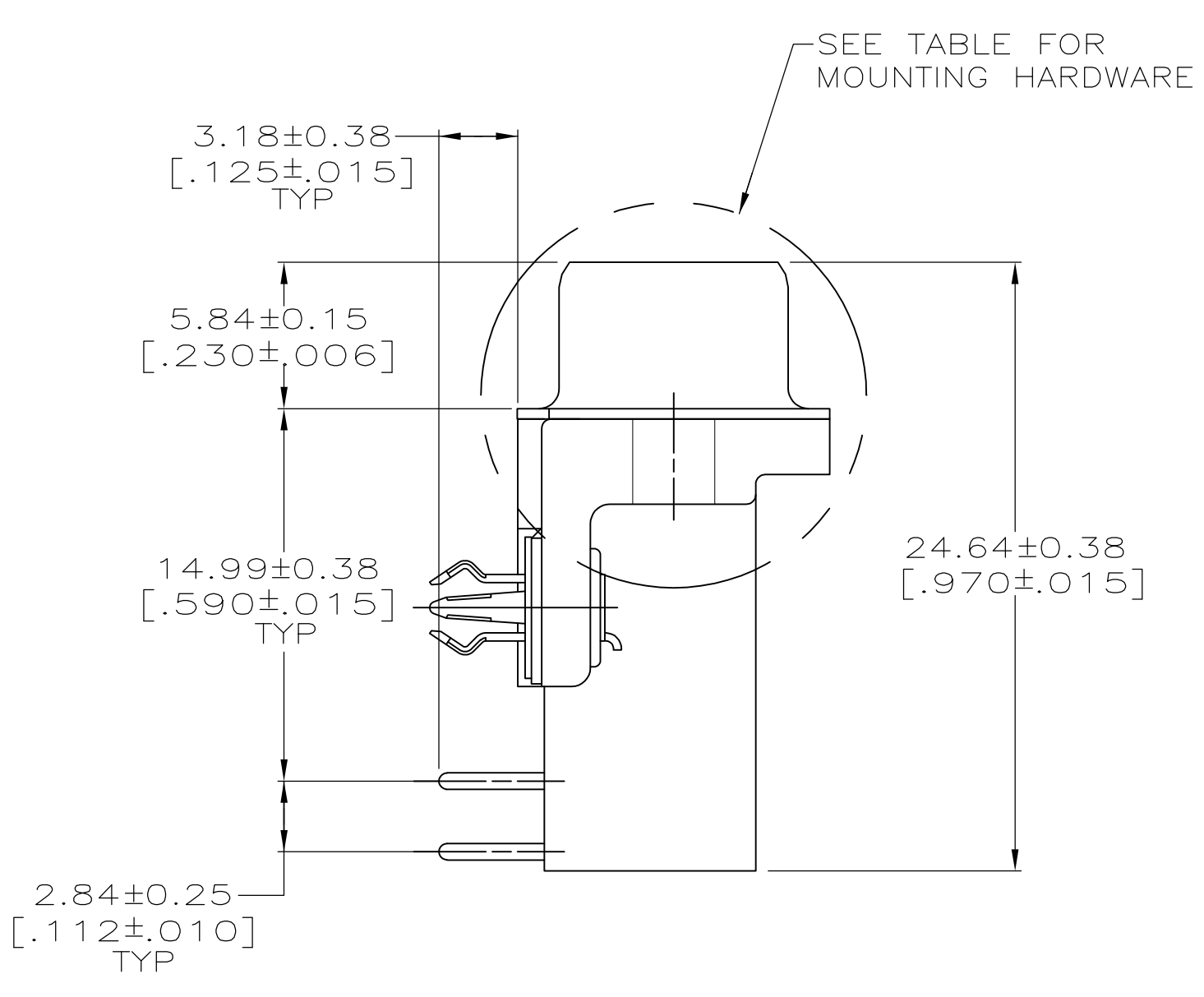
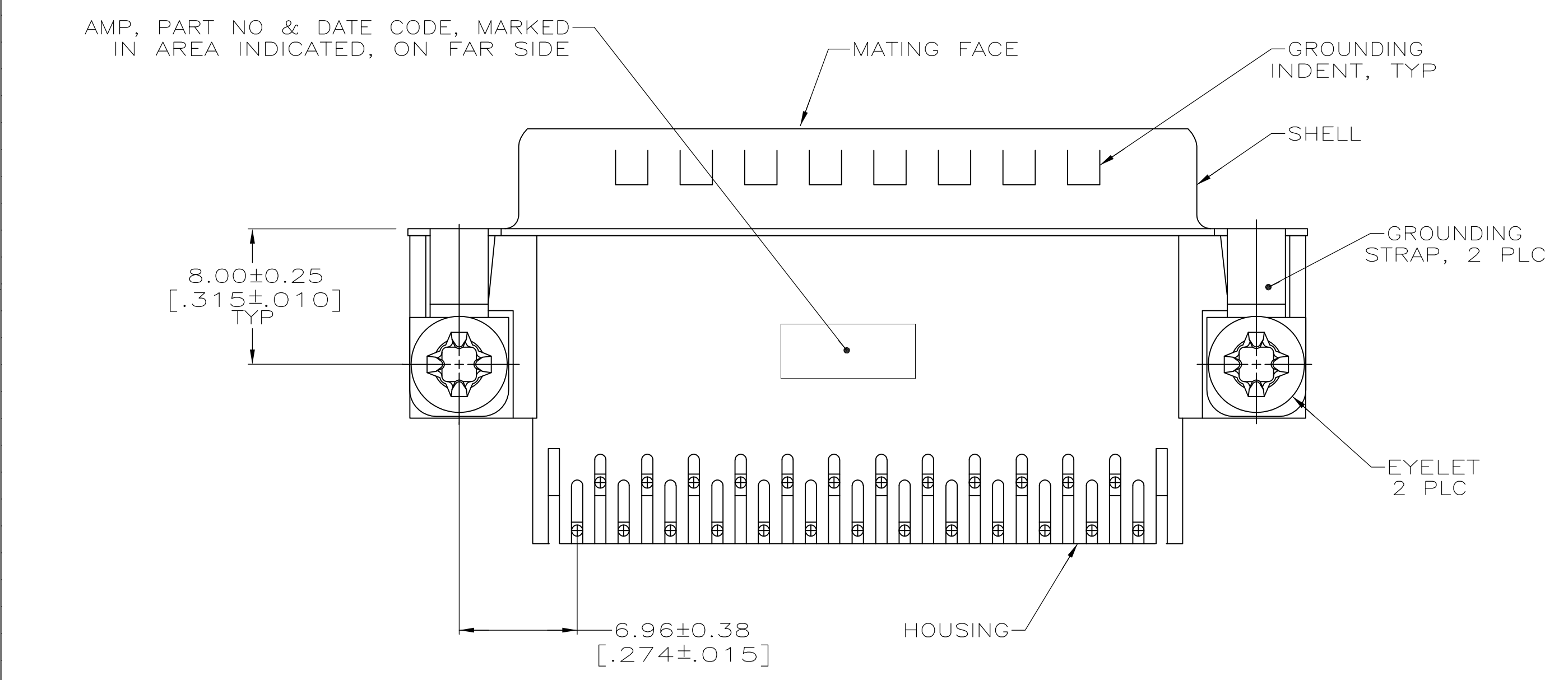


- ⚠ HOUSING: NYLON OR POLYESTER, FLAME RETARDANT 94V-0 RATED, GLASS FILLED, BLACK.
SHELLS: CARBON STEEL.
CONTACTS: BRASS.
BOARDLOCKS: COPPER ALLOY.
EYELETS: BRASS.
- ⚠ SHELLS: 2.54µm [.000100] MIN TIN OVER 1.27µm [.000050] MIN COPPER.
EYELETS: 5.08µm [.000200] MIN TIN OVER COPPER FLASH.
SCREWLOCKS AND INSERTS: CLEAR CHROMATE.
BOARDLOCKS AND CONTACTS: SEE TABLE.
- ⚠ GOLD FLASH ON THE MATING SURFACES, 2.54µm [.000100] MIN TIN OR TIN-LEAD PLATE ON THE SOLDER END, 1.27µm [.000050] MIN NICKEL UNDERPLATE ON THE ENTIRE CONTACT.
- ⚠ 0.76µm [.000030] MIN GOLD PLATE ON THE MATING SURFACES, 2.54µm [.000100] MIN TIN OR TIN-LEAD PLATE ON THE SOLDER END, 1.27µm [.000050] MIN NICKEL UNDERPLATE ON THE ENTIRE CONTACT
-OR-
GOLD FLASH OVER PALLADIUM-NICKEL PLATE, 0.76µm [.000030] MIN TOTAL ON THE MATING SURFACES, 2.54µm [.000100] MIN TIN OR TIN-LEAD PLATE ON THE SOLDER END, 1.27µm [.000050] MIN NICKEL UNDERPLATE ON THE ENTIRE CONTACT.
- ⚠ 5.08µm [.000200] MIN TIN-LEAD OVER 1.27µm [.000050] MIN NICKEL.
- ⚠ 5.08µm [.000200] MIN TIN OVER 1.27µm [.000050] MIN NICKEL.
- ⚠ OBSOLETE PARTS: OBSOLETE CIS STREAMLINING PER D.RENAUD/D.SINISI.



RECOMMENDED P.C. BOARD MOUNTING DIMENSIONS
P.C. BOARD THICKNESS: 1.57 [.062]

⚠ OBSOLETE	SEE DETAIL D	⚠ 6	⚠ 4	6-747834-7
	SEE DETAIL E	⚠ 5	⚠ 4	747834-6
SUPSD BY 747834-4	SEE DETAIL E	⚠ 5	⚠ 3	747834-5
⚠ SUPERSEDED	SEE DETAIL D	⚠ 5	⚠ 4	747834-4
SUPSD BY 747834-4	SEE DETAIL D	⚠ 5	⚠ 3	747834-3
⚠ OBSOLETE	-	⚠ 5	⚠ 4	747834-2
⚠ OBSOLETE	-	⚠ 5	⚠ 3	747834-1
	MOUNTING HARDWARE	BOARDLOCK FINISH	CONTACT FINISH	PART NUMBER

THIS DRAWING IS A CONTROLLED DOCUMENT. DIMENSIONING AND TOLERANCING PER ASME Y14.5M-2009.

DIMENSIONS:	TOLERANCES UNLESS OTHERWISE SPECIFIED:	APVD	DATE	NAME
mm [INCHES]	0 PLC ± -	W.G. LENKER	16-NOV-89	TE Connectivity
	1 PLC ± -	R. STONE	05-FEB-90	
	2 PLC ± -	M.D. GALLOWAY	06-FEB-90	
	3 PLC ± 0.13 [.005]			
	4 PLC ± -			
	ANGLES ± ± °			

PRODUCT SPEC: 108-40025
APPLICATION SPEC: 114-40010
SIZE: A1
WEIGHT: -
CUSTOMER DRAWING

SCALE: 4:1 SHEET: 1 OF 1 REV: W