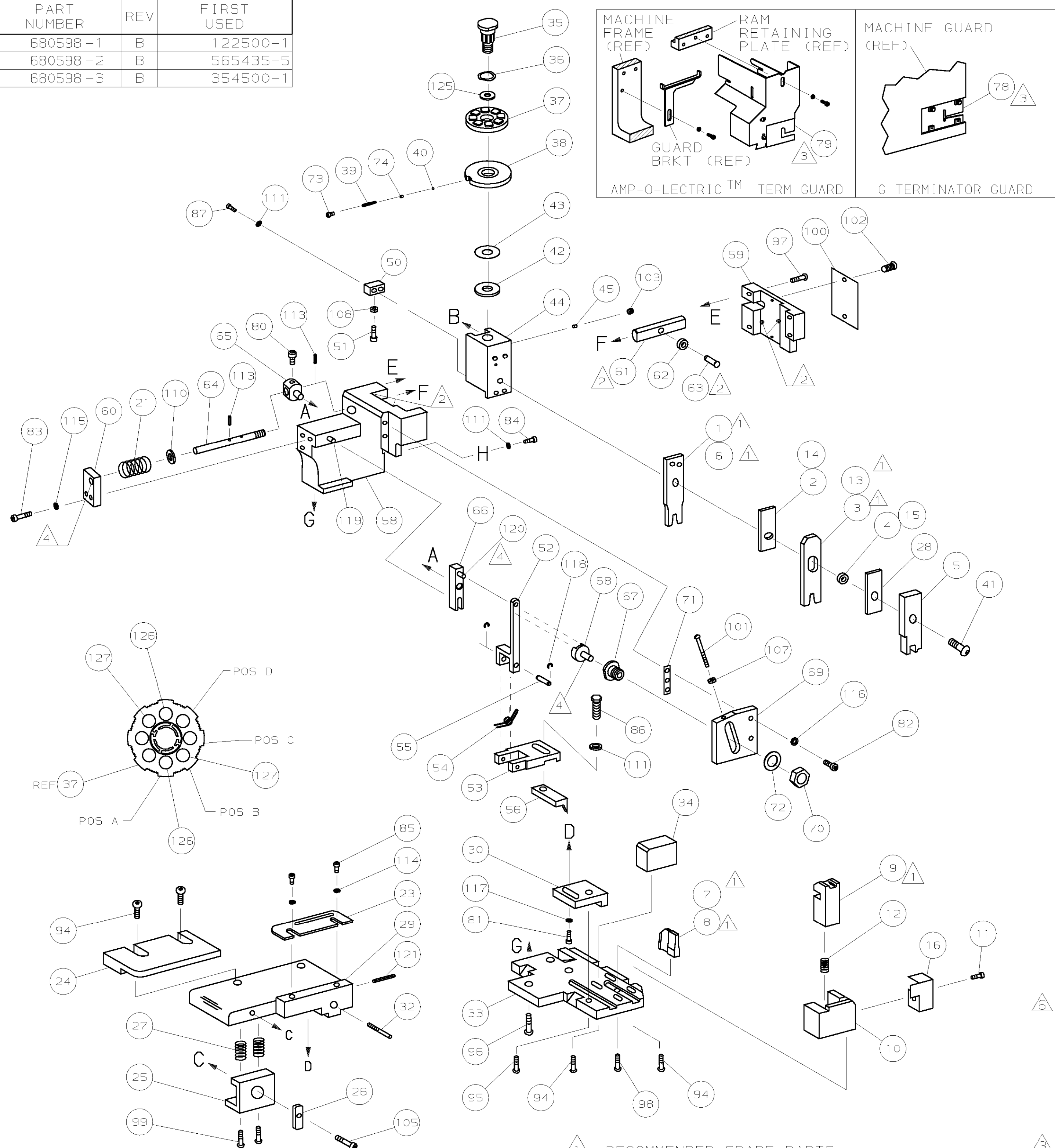
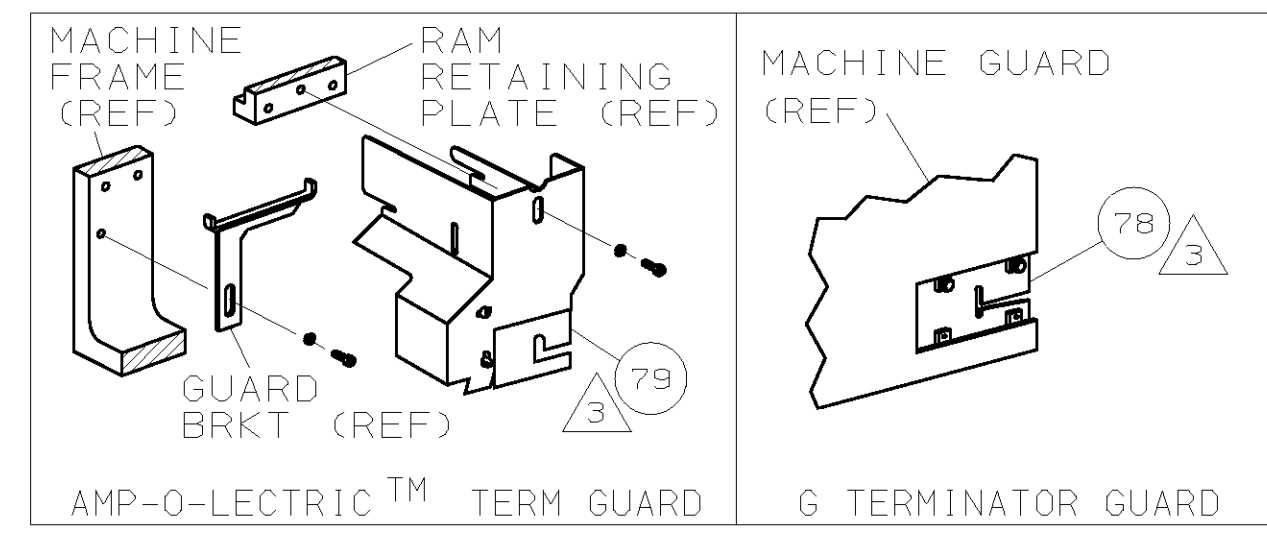


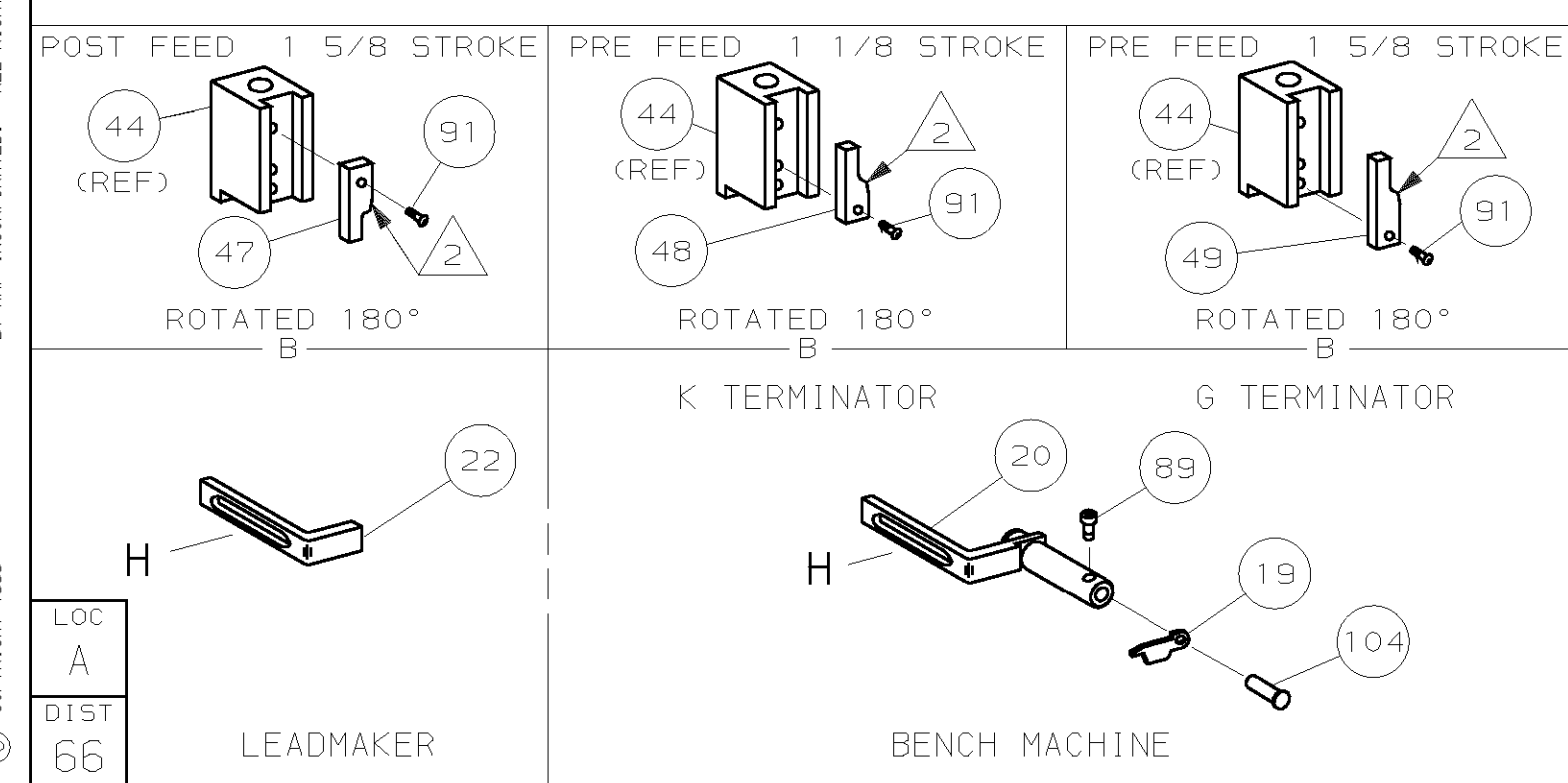
PART NUMBER	REV	FIRST USED
680598-1	B	122500-1
680598-2	B	565435-5
680598-3	B	354500-1



TERMINAL NAME: TERMINAL, PIN		CRIMP DATA (NON-AMP TERMINAL-AMP SPEC)	
PAD LTR	CRIMP HEIGHT	WIRE SIZE	
286695	A .051 ±.002 [1.29±0.05mm]	20	8
286696	B .042 ±.002 [1.07±0.05mm]	22	10
	C	NOT	USED
	D	NOT	USED
CRIMP	SIZE	TYPE	RANGE
WIRE	8/10	F	8/10
INSUL	8/10	F	8/10
φ.045-.091			

QTY	TERM	APPL SPEC	FEED	APPL INSTRUCTION	SET UP GAGE	LAYOUT	
.219-.234		NONE	.500	408-8040	458637-1	L2047	129
2	2	2	-	C	4-354779-2		PIN, WIRE DISC (.3200) B 127
2	2	2	-	C	2-354779-4		PIN, WIRE DISC (.3110) A 126
1	1	1	-	A	986950-1		WASHER, FLAT PRECISION 125
1	1	1	-	A	217238-1		GENERAL INSTRUCTION PACKAGE 124
1	1	1	-	-	4088040		SF APPL INST 408-8040 123
							122
1	1	1	-	A	4-21028-0		PIN, SLT SPR (φ.093x.75) ST GDE PL 121
REF	REF	REF	-	A	1-21030-1		PIN, DOWL (φ.187x.50) LEVER 120
REF	REF	REF	-	A	1-21030-6		PIN, DOWL (φ.187x.1.25) HOUSING 119
REF	REF	REF	-	A	21045-3		RING, RET "C" (φ.187) FD FING PIN 118
1	1	1	-	A	21024-5		WASHER, LOCK (#10) ADJ BLK 117
REF	REF	REF	-	A	21024-5		WASHER, LOCK (#10) ADJ PLATE 116
REF	REF	REF	-	A	21024-5		WASHER, LOCK (#10) FEED GDE ROD 115
2	2	2	-	A	21024-2		WASHER, LOCK (#4) FRONT STP GUIDE 114
REF	REF	REF	-	A	5-21028-1		PIN, SLT SPR (φ.125x.50) ADJ ROD 113
							112
4	4	4	-	A	21024-4		WASHER, LOCK (#8) STRIPPER 111
REF	REF	REF	-	A	21899-4		WASHER, FLAT (φ5/16) SCREW ADJ 110
							109
1	1	1	-	A	21018-5		NUT, HEX (NO. 6) HOLDDOWN 108
REF	REF	REF	-	A	21068-5		NUT, HEX (6-32) FEED ADJ 107
							106
1	1	1	-	A	22353-8		SCR, SHLD (φ.187x.25) DRAG LEVER 105
1	1	-	-	A	992031-1		PIN, CLEVIS 104
1	1	1	-	A	21009-2		SCR, SKT SET (1/4-20x.25 LW) RAM 103
2	2	2	-	A	21017-2		SCR, DRIVE (#2x.19) ID PLATE 102
REF	REF	REF	-	A	6-23715-5		SCR, PAN HD (6-32x1.50) FEED ADJ 101
1	1	1	-	B	461264-1		PLATE, IDENTIFICATION 100
2	2	2	-	A	3-21002-0		SCR, BHC (10-32x.88) DRAG 99
1	1	1	-	A	22733-8		SCR, BHC (8-32x.38 LW) ANVIL 98
REF	REF	REF	-	A	2-21002-9		SCR, BHC (10-32x.75) CAP 97
REF	REF	REF	-	A	2-22733-8		SCR, BHC (1/4-20x.62) HOUSING 96
REF	REF	REF	-	A	2-21002-7		SCR, BHC (10-32x.50) 5G ADJ BLOCK 95
6	6	6	-	A	2-21002-2		SCR, BHC (8-32x.50) TERM H DWN 94
							93
							92
1	1	1	-	A	1-21002-7		SCR, BHC (6-32x.38) CAM 91
							90
1	1	-	-	A	7-21000-9		SCR, SHC (4-40x.19) STRIPPER 89
							88
2	2	2	-	A	2-21000-7		SCR, SHC (8-32x.48) DEP-HOLD 87
1	1	1	-	A	2-22603-0		SCR, HEX HD (8-32x.31) FEED FINGER 86
2	2	2	-	A	1-21000-3		SCR, SHC (4-40x.25) F ST GUIDE 85
1	1	1	-	A	2-21000-7		SCR, SHC (8-32x.50) STRIPPER 84
REF	REF	REF	-	A	3-21000-7		SCR, SHC (10-32x.75) FEED ROD 6D 83
REF	REF	REF	-	A	3-21000-6		SCR, SHC (10-32x.62) FD ADJ BLK 82
1	1	1	-	A	3-21000-4		SCR, SHC (10-32x.38) 5G ADJ BL 81
REF	REF	REF	-	A	3-21000-4		SCR, SHC (10-32x.38) PIVOT BLK 80
-	REF	-	-	B	455749-1		GUARD, WINDOW 79
REF	-	-	-	B	679532-1		INSERT, GUARD 78
							77
							76
							75
1	1	1	-	A	690603-1		SPRING, ASSIST 74
1	1	1	-	A	23030-1		SCR, SHC (6-32x.25 SL) INS DISC 73
REF	REF	REF	-	A	458109-1		WASHER, SPECIAL 72
REF	REF	REF	-	A	690517-1		SPACER 71
-3	-2	-1	U/M	DWG SIZE	PART NO	DESCRIPTION	ITEM NO

QTY	TERM	APPL SPEC	FEED	APPL INSTRUCTION	SET UP GAGE	LAYOUT	
1	1	1	-	A	690603-1		SPRING, ASSIST 74
1	1	1	-	A	23030-1		SCR, SHC (6-32x.25 SL) INS DISC 73
REF	REF	REF	-	A	458109-1		WASHER, SPECIAL 72
REF	REF	REF	-	A	690517-1		SPACER 71



- 1 RECOMMENDED SPARE PARTS.
- 2 GREASE LIGHTLY.
- 3 GUARD MUST BE IN PLACE WHEN OPERATING APPLICATOR IN A BENCH MACHINE.
- 4 LUBRICATE DAILY USING NO. 20 MACHINE OIL.
- 5. ITEMS WITH QTY OF REF SPECIFIED (EXCEPT ITEMS 78 AND 79) ARE USED ON ITEM 46.
- 6 CUT TO LENGTH AT ASSY
- 7 REAR STRIP GUIDE & STRIP GUIDE PLATE ADJUSTMENTS REQUIRED WHEN CHANGING TERMINALS.
- 8 286696 CRIMPS 20 AWG
ITEMS 6,7,13,14 & 15 USED TO CRIMP 286695 (SUPPLY THESE ITEMS LOOSE PIECE)
WIRE CRIMP WIDTH FOR 286696 .090 [2.29mm]
INSULATION CRIMP WIDTH .110 [2.79mm]
- 9 286695 CRIMPS 22 AWG
ITEMS 1,2,3,4 & 8 REQ'D TO CRIMP 286695 SET UP APPLICATOR TO RUN 22 GA.
WIRE CRIMP WIDTH FOR 286696 .070 [1.78mm]
INSULATION CRIMP WIDTH .110 [2.79mm]
- 10 GUIDE OFF INSULATION BARREL.

	LEADMAKER	MECH POST FEED					
-1	LEADMAKER	MECH POST FEED					
-2	BENCH MODEL K	MECH PRE FEED					
-3	BENCH MODEL G	MECH PRE FEED					
REF	REF	REF	-	B	22594-8	NUT, HEX (1/2-20) 70	
REF	REF	REF	-	B	240628-1	PLATE, ADJUSTMENT 69	
REF	REF	REF	-	B	240626-1	SHAFT, PIVOT 68	
REF	REF	REF	-	B	240633-1	BUSHING 67	
REF	REF	REF	-	A	455680-1	LEVER, INTERMEDIATE 66	
REF	REF	REF	-	B	240629-1	BLOCK, PIVOT 65	
REF	REF	REF	-	A	240632-2	SCREW, ADJ FEED ROD 64	
REF	REF	REF	-	B	240659-3	PIN, CAM ROLLER 63	
REF	REF	REF	-	B	240658-1	ROLLER, CAM 62	
REF	REF	REF	-	B	454398-2	ROD, FEED 61	
REF	REF	REF	-	A	454178-1	GUIDE, FEED ROD 60	
REF	REF	REF	-	C	454220-1	CAP, RAM 59	
REF	REF	REF	-	D	454485-1	HOUSING 58	
						57	
1	1	1	-	B	690542-2	PAWL, FEED 56	
REF	REF	REF	-	B	240624-1	PIN, FEED FINGER 55	
REF	REF	REF	-	B	691499-1	SPRING, FEED FINGER 54	
REF	REF	REF	-	B	690541-1	HOLDER, FEED FINGER 53	
REF	REF	REF	-	A	455679-2	LEVER, TERMINAL FEED ARM 52	
1	1	1	-	A	811242-2	BUMPER, HOLDDOWN 51	
1	1	1	-	A	690753-1	SPACER, TONKER 50	
1	-	-	-	B	690602-6	CAM, PRE-FEED 1 5/8 ST 49	
-	1	-	-	B	690602-5	CAM, PRE-FEED 1 1/8 ST 48	
-	-	1	-	B	690501-4	CAM, POST-FEED 1 5/8 ST 47	
1	1	1	-	B	459456-2	APPLICATOR, BASIC (SUBASSY) 46	
1	1	1	-	A	690191-1	PLUG, NYLON 45	
1	1	1	-	C	455673-1	RAM 44	
1	1	1	-	A	690125-1	WASHER, LAMINATED 43	
1	1	1	-	A	690124-1	WASHER, RAM 42	
1	1	1	-	A	7-21002-9	BOLT, CRIMPER (5/16x1.00) 41	
1	1	1	-	A	23241-6	BALL, STEEL 40	
1	1	1	-	A	690170-1	SPRING, COMPRESSION 39	
1	1	1	-	C	690142-1	DISC, INSULATION 38	
1	1	1	-	D	354777-1	WIRE DISC, PLASTIC 37	
1	1	1	-	A	22480-5	WASHER, SPRING 36	
1	1	1	-	B	690212-1	POST, RAM 35	
1	1	1	-	B	690786-1	SUPPORT, TERMINAL 34	
REF	REF	REF	-	D	455675-1	PLATE, BASE 33	
1	1	1	-	A	690432-3	SCREW, ADJUSTMENT 32	
						31	
REF	REF	REF	-	B	455689-1	BLOCK, STRIP GUIDE ADJ 30	
1	1	1	-	C	458144-1	PLATE, STRIP GUIDE 29	
1	1	1	-	C	455888-5	SPACER, FRONT SHEAR DEP 28	
2	2	2	-	A	1-22284-0	SPRING, DRAG 27	
1	1	1	-	B	240793-1	LEVER, DRAG RELEASE 26	
1	1	1	-	B	240792-1	DRAG, TERMINAL 25	
1	1	1	-	D	2-90765-0	GUIDE, STRIP (REAR) 24	
1	1	1	-	A	690438-1	GUIDE, STRIP (FRONT) 23	
-	-	1	-	B	690472-2	STRIPPER 22	
REF	REF	REF	-	A	4-22284-9	SPRING, FEED RETURN 21	
1	1	-	-	A	679218-1	STRIPPER WIRE STOP ASSY 20	
1	1	-	-	B	458949-1	STRIPPER 19	
						18	
						17	
1	1	1	-	B	318563-1	GUARD, CHIP, FRONT 16	
1	1	1	-	B	1-238011-7	SPACER, BLOCK CRIMPER 15	
1	1	1	-	C	455888-5	SPACER, CRIMPER 14	
1	1	1	-	C	2-456134-9	CRIMPER, INSULATION 13	
1	1	1	-	A	5-22280-0	SPRING, SHEAR 12	
1	1	1	-	B	690461-1	STOP, SHEAR 11	
1	1	1	-	C	690459-1	HOLDER, SHEAR (FRONT) 10	
1	1	1	-	C	462006-2	SHEAR, FLOAT (FRONT) 9	
1	1	1	-	C	1-662185-3	ANVIL 8	
1	1	1	-	C	2-662187-2	ANVIL 7	
1	1	1	-	C	4-456406-5	CRIMPER, WIRE 6	
1	1	1	-	C	2-455889-0	DEPRESSOR, SHEAR (FRONT) 5	
1	1	1	-	B	238011-8	SPACER, BLOCK CRIMPER 4	
1	1	1	-	C	8-456134-7	CRIMPER, INSULATION 3	
1	1	1	-	C	455888-7	SPACER, CRIMPER 2	
1	1	1	-	C	4-456404-0	CRIMPER, WIRE 1	
-3	-2	-1	U/M	DWG SIZE	PART NO	DESCRIPTION	ITEM NO

QTY	TERM	APPL SPEC	FEED	APPL INSTRUCTION	SET UP GAGE	LAYOUT	
-3	-2	-1	U/M	DWG SIZE	PART NO	DESCRIPTION	ITEM NO