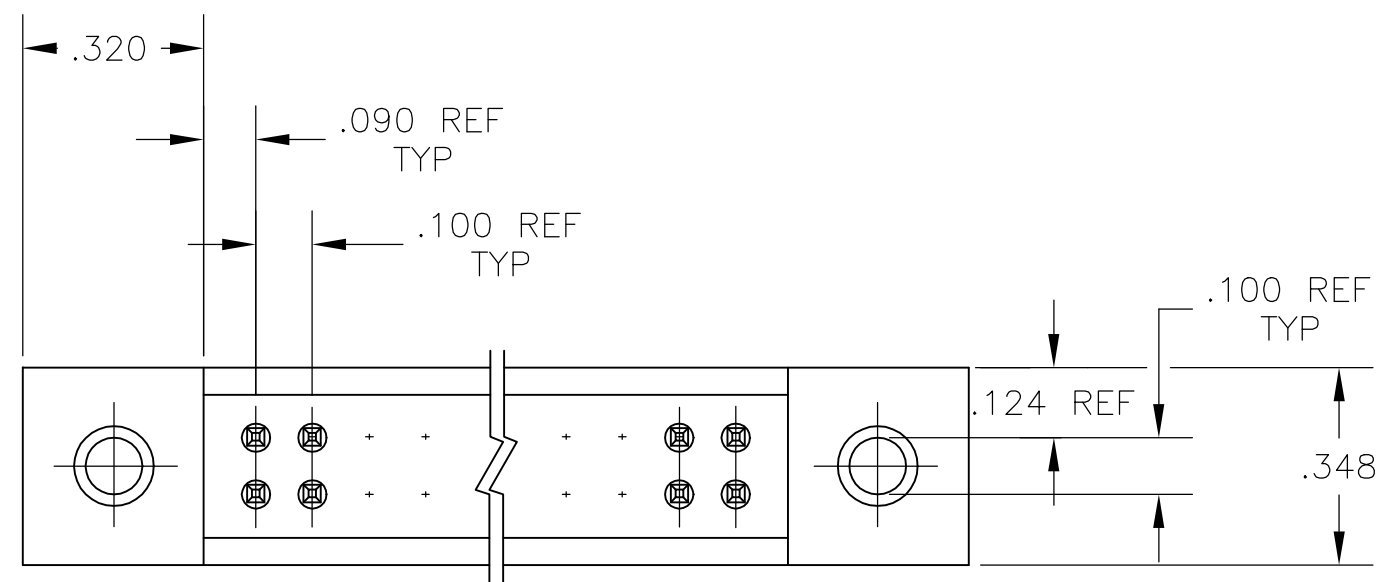
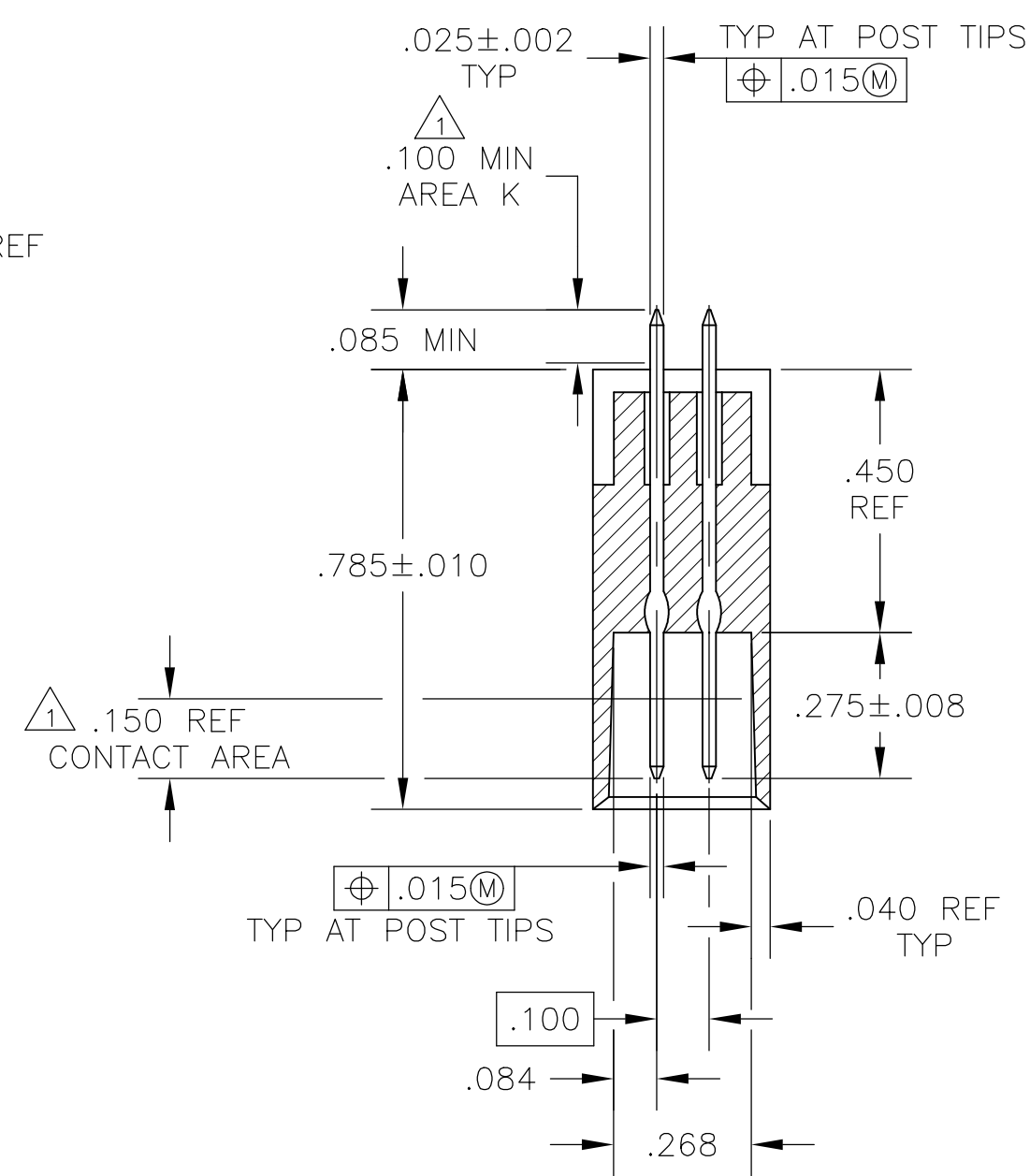
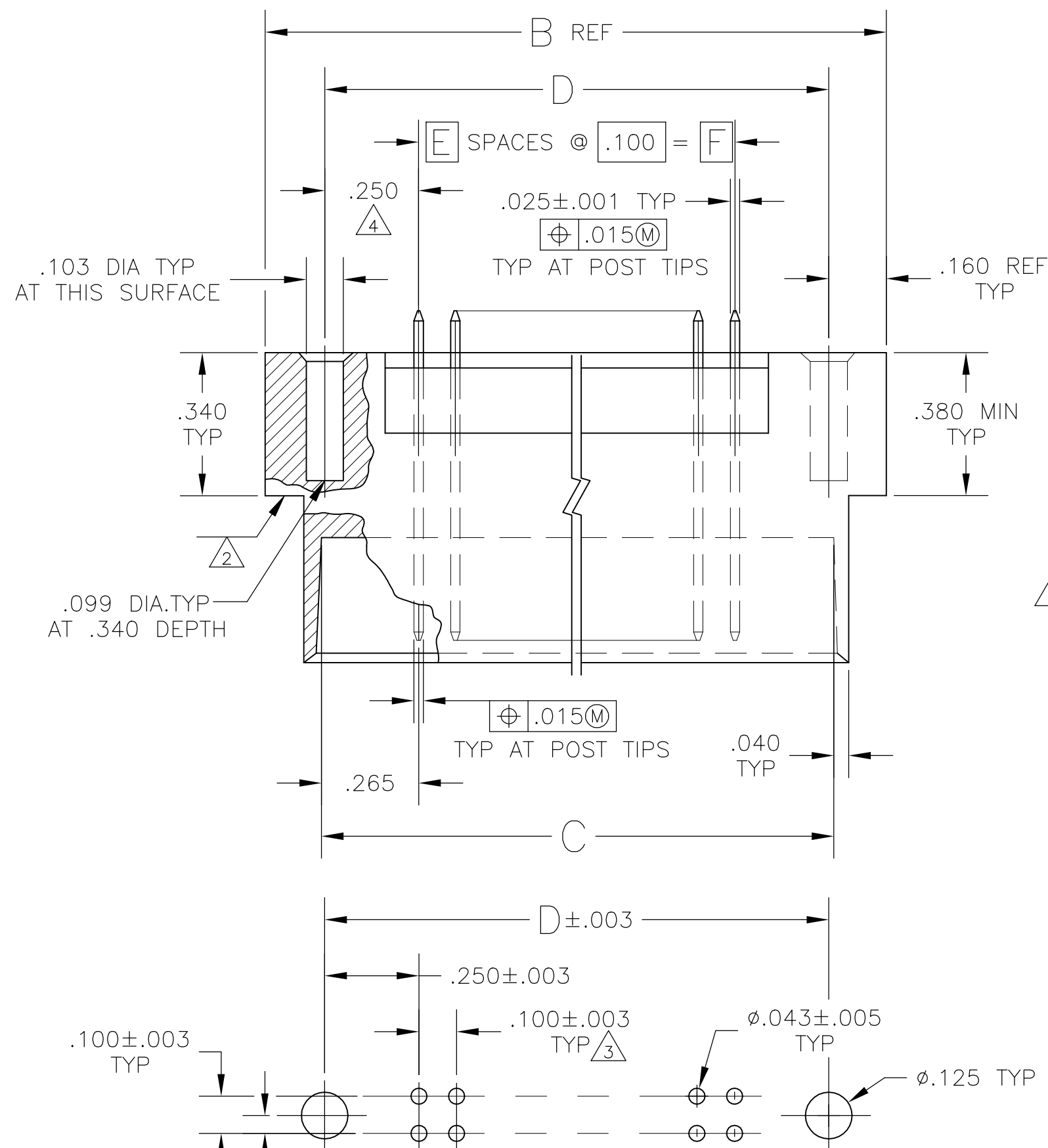


THIS DRAWING IS UNPUBLISHED. RELEASED FOR PUBLICATION
 © COPYRIGHT - TE Connectivity Ltd. ALL RIGHTS RESERVED.

REVISIONS					
P	LTR	DESCRIPTION	DATE	DWN	APVD
	G1	PART STATUS UPATED IN PART LIST TABLE	15FEB2018	SD	PS



- 1 .000015 MIN GOLD IN CONTACT AREA, .000100-.000200 MATTE TIN-LEAD IN AREA K ALL OVER .000050 MIN NICKEL.
- 2 "AMP" TRADEMARK SHALL BE ON PART.
- 3 TOLERANCE NON-CUMMULATIVE.
- 4 DIMENSION APPLIES AT BASE OF HOUSING.
- 5 .000015 MIN GOLD IN CONTACT AREA, .000100-.000200 MATTE TIN IN AREA K ALL OVER .000050 MIN NICKEL.
- 6 OBSOLETE



TYPICAL SECTION THRU CAVITY



RECOMMENDED HOLE LAYOUT

5	1.900	19	2.400	2.430	2.720	40	5-102871-2
5	2.500	25	3.000	3.030	3.320	52	5-102871-1
6	1	1.900	19	2.400	2.430	40	-102871-2
6	1	2.500	25	3.000	3.030	52	-102871-1
FINISH	F	E	D	C	B	NO OF POSN	PART NO

THIS DRAWING IS A CONTROLLED DOCUMENT.		DWN	15 DEC 81				
DIMENSIONS: INCHES		CHK	-				
TOLERANCES UNLESS OTHERWISE SPECIFIED:		APVD	-		NAME		
0 PLC ± -		PRODUCT SPEC		HEADER ASSEMBLY, MOD II, .025 SQ POST, .100 X .100 C/L, DBL ROW			
1 PLC ± -		APPLICATION SPEC		SIZE CAGE CODE DRAWING NO RESTRICTED TO			
2 PLC ± -		FINISH		A2 00779 C=102871			
3 PLC ± .005		SEE TABLE		CUSTOMER DRAWING			
4 PLC ± -		SCALE		1:1			
ANGLES ± 0° 30'		SHEET		1 of 1			
MATERIAL HOUSING: FLAME RETARDANT GLASS FILLED NYLON COLOR-BLACK POSTS: PHOS BRONZE		REV		G1			