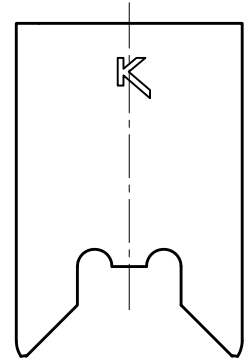
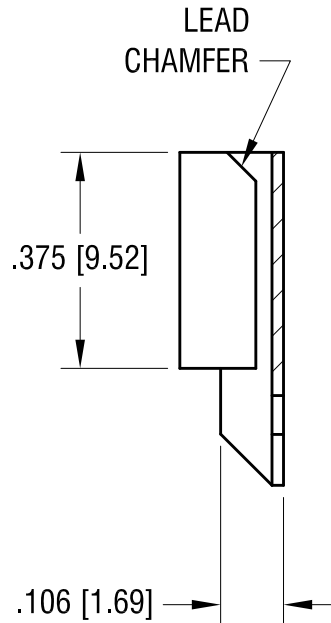
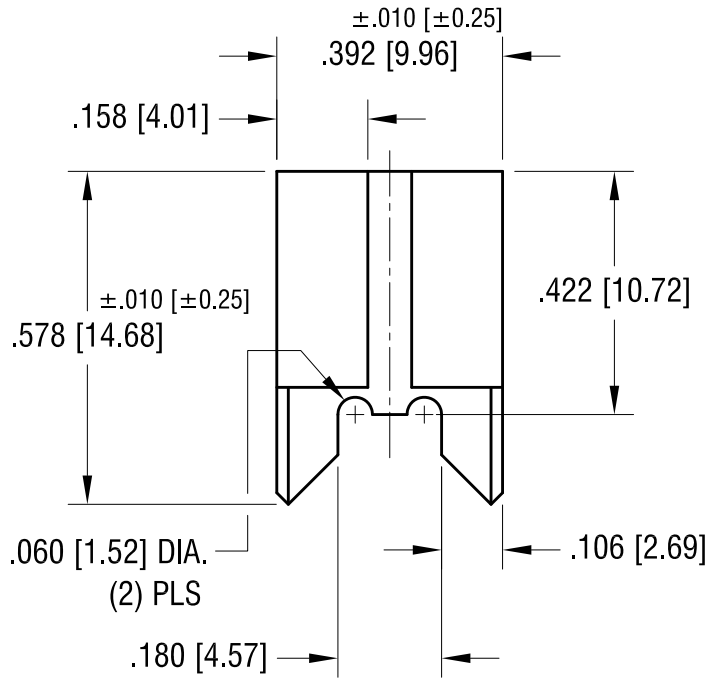
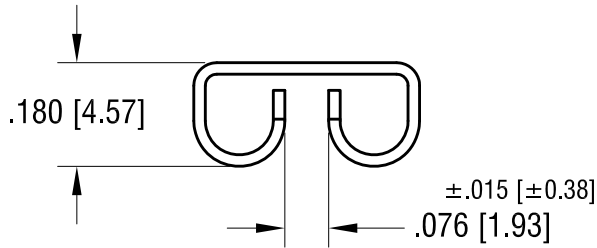
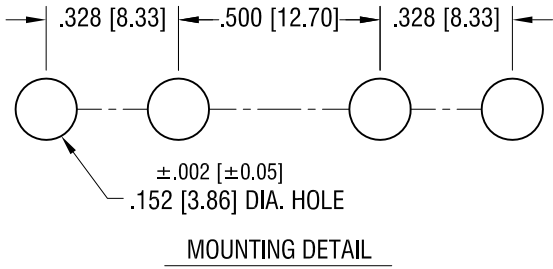
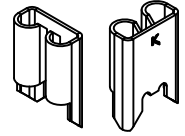


THIS DOCUMENT IS THE PROPERTY OF
KEYSTONE ELECTRONICS CORP. AND
SHALL NOT BE REPRODUCED, DISTRIBUTED
OR USED AS A BASIS FOR MANUFACTURE
WITHOUT PRIOR WRITTEN PERMISSION
FROM KEYSTONE ELECTRONICS CORP.

ACTUAL SIZE



12.11.18	CHANGE AS PER ECR 18-048	H
10.2.17	CHANGE AS PER ECR 17-063	G
5.22.17	CHANGE AS PER ECR 17-029	F
9.06.12	CHANGE AS PER ECN 12-129	E
8.19.04	CHANGE AS PER ECN 04-065	D
7.1.02	CHANGE AS PER ECN 02-062	C
2.05.02	CHANGE AS PER ECN 02-031	B
DATE	DESCRIPTION	REV.

KEYSTONE ELECTRONICS CORP.			
www.keyelco.com • NEW HYDE PARK, NY 11040 • Tel (516) 328-7500			
PART NAME		MAXI PC AUTO-FUSE CLIP	
MATERIAL		.020 [0.50] TH'K COPPER	
FINISH		DRN BY	DATE
TIN NICKEL PLATE		BOONE	12.12.00
		APP'D	SCALE
		LN	3X
TOLERANCES	INCH [MM]	CODE	DWG NO.
DECIMAL	± .005 [± 0.13]	C	3555
ANGULAR	± 1°		
UNLESS OTHERWISE SPECIFIED			