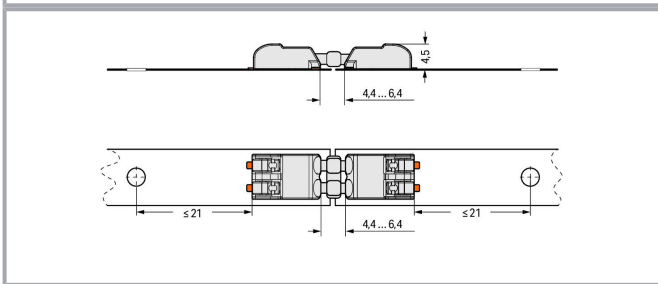
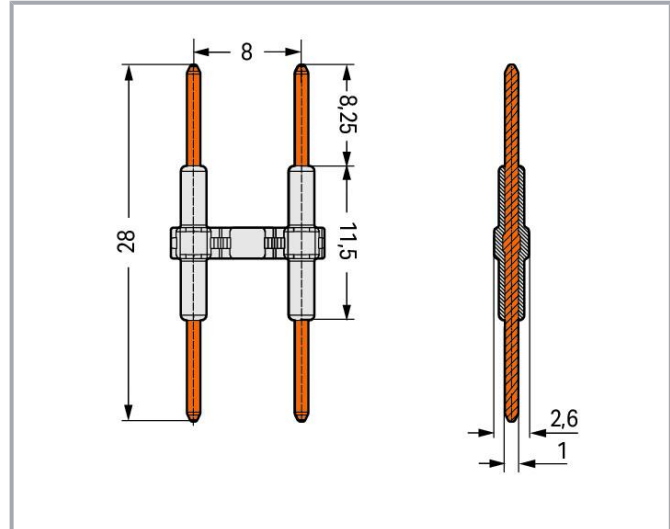
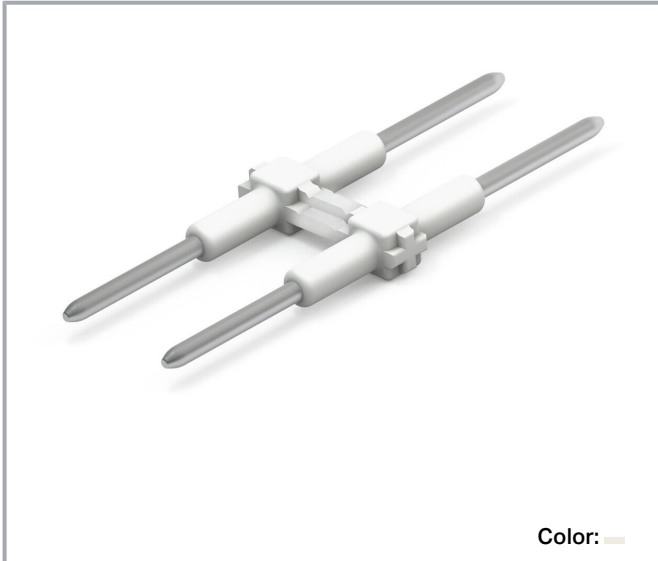


Data sheet | Item number: 2060-962/028-000

Board-to-Board Link; Pin spacing 8 mm; 2-pole; Length: 28 mm; white

www.wago.com/2060-962/028-000



Item description

- Board-to-board links simplify LED module assembly
- Easy push-in connection and disconnection

Data

Notes

Safety information

Notice: Only suitable for 2060-45x, not for 2060-40x.

Subject to changes. Please also observe the further product documentation!

WAGO GmbH & Co. KG
Hansastr. 27
32423 Minden
Phone: +49571 887-0 | Fax: +49571 887-169
Email: info.de@wago.com | Web: www.wago.com

Do you have any questions about our products?
We are always happy to take your call at +49 (571) 887-44222.



Electrical data

Ratings per IEC/EN

Ratings per	IEC/EN 60664-1
Nominal voltage (III/3)	400 V
Rated impulse voltage (III/3)	6 kV
Rated voltage (III/2)	630 V
Rated impulse voltage (III/2)	6 kV
Nominal voltage (II/2)	1000 V
Rated surge voltage (II/2)	6 kV
Rated current	9 A
Legend (ratings)	(III / 2) \triangleq Overvoltage category III / Pollution degree 2

Ratings per UL 1977

Rated voltage (UL 1977)	600 V
Rated current UL 1977	9 A

Connection data

Total number of potentials	2
----------------------------	---

Connection 1

Pole number	2
-------------	---

Physical data

Pin spacing	8 mm / 0.314 inches
Width	11.4 mm / 0.449 inches
Height	2.6 mm / 0.102 inches
Depth	28 mm / 1.102 inches

Mechanical Data

Mating cycles (max.)	10
Number of mating cycles	10 connections/disconnections (max.)
Suitable	for SMD PCB terminal blocks (2060 Series)

Subject to changes. Please also observe the further product documentation!



Material Data

Note (material data)

Information on material specifications can be found here

Color	white
Material group	I
Insulation material	Polyamide (PA66)
Flammability class per UL94	V0
Contact material	Copper alloy
Contact plating	Silver
Fire load	0.003 MJ
Weight	0.5 g

Environmental requirements

Limit temperature range	-60 ... +105 °C
-------------------------	-----------------

Commercial data

eCl@ss 10.0	27-14-11-92
eCl@ss 9.0	27-14-11-92
ETIM 8.0	EC002848
ETIM 7.0	EC002848
PU (SPU)	375 pcs
Packaging type	box
Country of origin	CN
GTIN	4055143322898
Customs tariff number	85369010000

Environmental Product Compliance

RoHS Compliance Status	Compliant, No Exemption
------------------------	-------------------------

Approvals / Certificates

General approvals

Logo	Approval	Additional Approval Text	Certificate name
	CCA DEKRA Certification B.V.	EN 60947	NTR NL- 7724

Subject to changes. Please also observe the further product documentation!

CCA

CCA

CCA

CCA








CCA
DEKRA Certification B.V. EN 60998 NTR NL
7725/M1

CCA
DEKRA Certification B.V. EN 60838 NTR NL
2168246

CCA
DEKRA Certification B.V. EN 60947-7-4 NTR NL
7843

cURus
Underwriters Laboratories Inc. UL 1977 E45171

KEMA/KEUR
DEKRA Certification B.V. EN 60838 2168246.01

KEMA/KEUR
DEKRA Certification B.V. EN 60947 71-108183

KEMA/KEUR
DEKRA Certification B.V. EN 60998 71-109040

KEMA/KEUR
DEKRA Certification B.V. EN 60947-7-4 71-114208

UL
Underwriters Laboratories Inc. UL 1059 E45172

Declarations of conformity and manufacturer's declarations

Logo	Approval	Additional Approval Text	Certificate name
------	----------	--------------------------	------------------

Subject to changes. Please also observe the further product documentation!

WAGO GmbH & Co. KG
Hansastr. 27
32423 Minden
Phone: +49571 887-0 | Fax: +49571 887-169
Email: info.de@wago.com | Web: www.wago.com

Do you have any questions about our products?
We are always happy to take your call at +49 (571) 887-44222.



EU-Declaration of Conformity
WAGO GmbH & Co. KG

-

-



UK-Declaration of Conformity
WAGO GmbH & Co. KG

-

-

Counterpart



Item no.2060-852/998-404

SMD PCB terminal block; push-button; 0.75 mm²; Pin spacing 8 mm; 2-pole; Push-in CAGE CLAMP®; in tape-and-reel packaging; 0,75 mm²; white

www.wago.com/2060-852/998-404



Item no.2060-872/998-404

SMD PCB terminal block; push-button; 0.75 mm²; Pin spacing 8 mm; 2-pole; Push-in CAGE CLAMP®; in tape-and-reel packaging; 0,75 mm²; black

www.wago.com/2060-872/998-404

Downloads

Documentation

Additional Information

Technical Section Technical explanations	2019 Apr 3	pdf 2.0 MB	Download
---	------------	---------------	----------

CAD/CAE-Data

CAD data

2D/3D Models 2060-962/028-000	URL	Download
-------------------------------	-----	----------

CAE data

ZUKEN Portal 2060-962/028-000	URL	Download
-------------------------------	-----	----------

Environmental Product Compliance

Compliance Search

Environmental Product Compliance 2060-962/028-000 Board-to-Board Link; Pin spacing 8 mm; 2-pole; Length: 28 mm; white	URL	Download
--	-----	----------

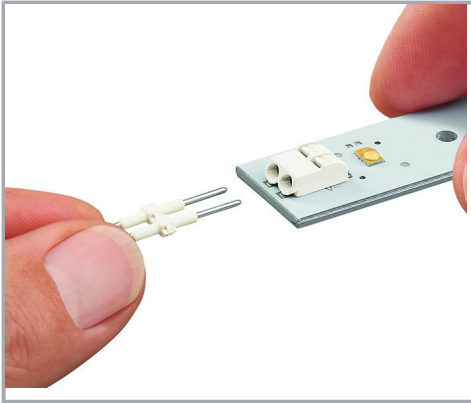
Subject to changes. Please also observe the further product documentation!

WAGO GmbH & Co. KG
Hansastr. 27
32423 Minden
Phone: +49571 887-0 | Fax: +49571 887-169
Email: info.de@wago.com | Web: www.wago.com

Do you have any questions about our products?
We are always happy to take your call at +49 (571) 887-44222.

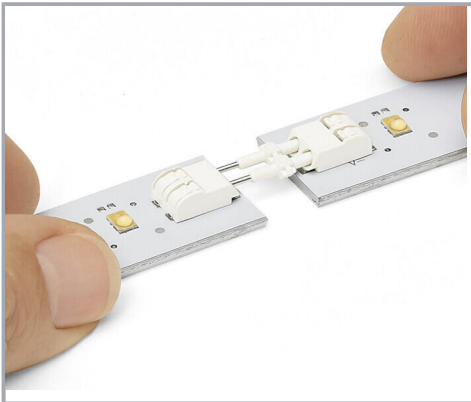
Installation Notes

Installation



Inserting a board-to-board link into the terminal block.

Installation

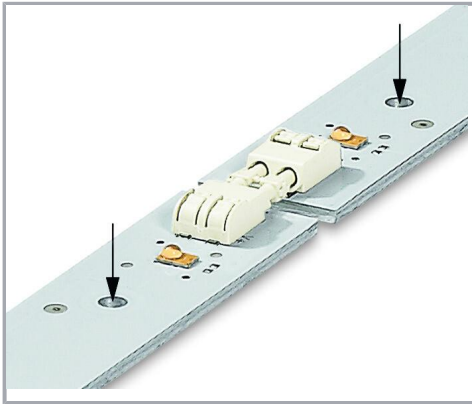


Assembly: Place PCBs on a flat surface and connect terminal blocks on adjoining PCBs via board-to-board link.

Disassembly: Pull PCBs apart (max. 10 mating cycles).

Installation

Subject to changes. Please also observe the further product documentation!



The PCBs must be secured.

Subject to changes. Please also observe the further product documentation!